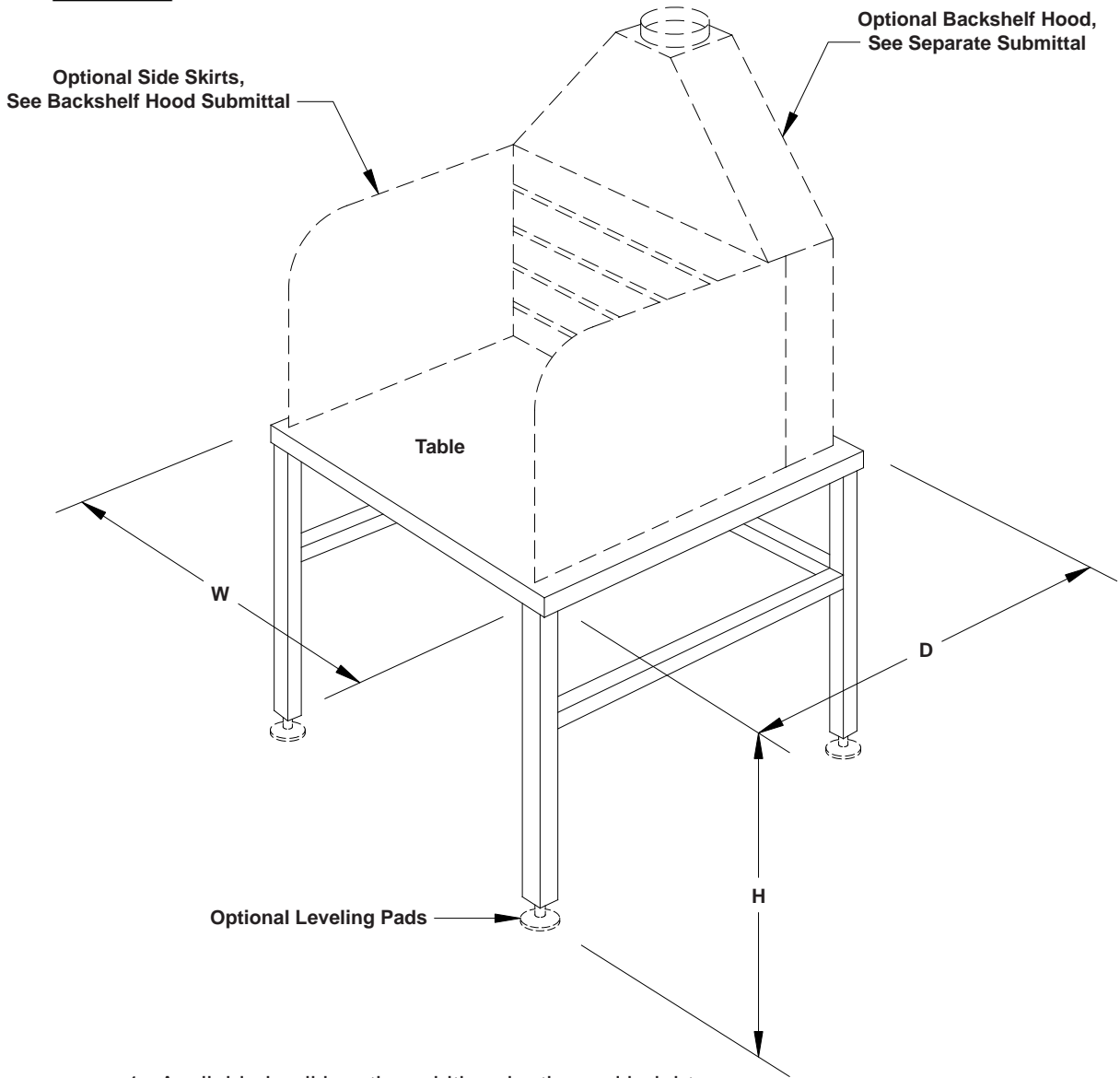





WELDING TABLES MODEL WT



1. Available in all lengths, widths, depths and heights.
2. Standard construction includes 10 gauge plate top, 2" x 2" tubular framing and a shelf.
3. Side skirts and/or backshelf hood available options.
4. Leveling pads optional.
5. Contact factory for available other designs.

Qty.	W	D	H	Special	Tag

To maintain KEES' policy of continuous product development, we reserve the right to change prices, specifications, ratings and dimensions without notice or obligation.

Project			Location		
Engineer			Dwg. No.	SD-WT	 KEES INCORPORATED 400 S. Industrial Dr. Elkhart Lake, WI 53020 Phone: (920) 876-3391 Fax: (920) 876-3065 Website: www.kees.com
Architect			Date	05/17	
Contractor					