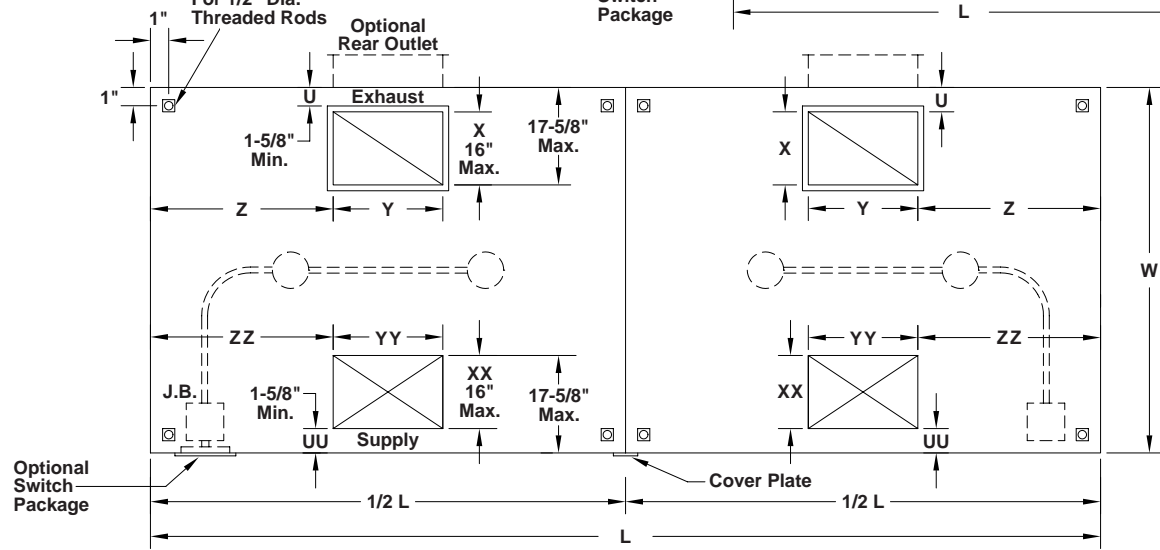
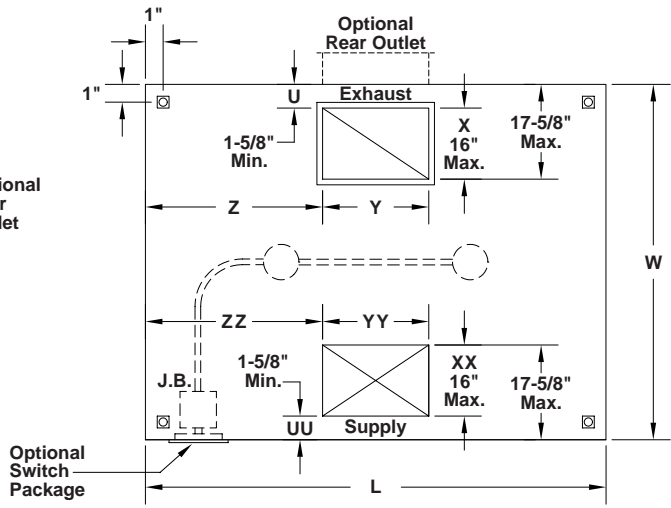
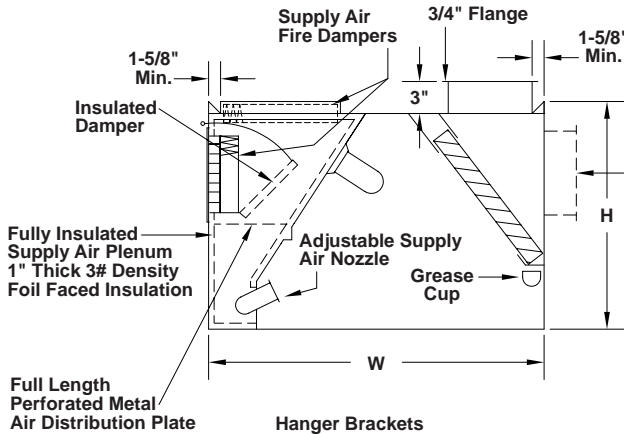


# S-W (SUMMER-WINTER) WALL HOOD



Quantity	① Material	② Gauge	Hood Dimensions			③ Number of Lights	④ Factory Cut Exhaust Opening						
			L	W	H		U	X	Y	Z			

④ Factory Cut Supply Opening				⑤ Filters				⑥ Finish	Other Options	Tag
UU	XX	YY	ZZ	Type	Material	Quantity	Size			

- ① Type 304 or 430 stainless steel.
- ② 18 ga. is standard; other gauges available.
- ③ Standard is 100 watt vapor proof incandescent U.L. Listed for use on grease exhaust hood.
- ④ 2 sets of collars required on hood sections over 12' long.
- ⑤ Aluminum baffle type U.L. Classified filters standard.
- ⑥ #3 polish standard.
- ⑦ Optional exhaust air fire damper.
- ⑧ Standard supply air fire dampers.
- ⑨ Optional supply air collar balancing damper.
- ⑩ Optional switch package with flush mounted stainless steel cover and junction box on top of hood. (Fan switch with illuminated toggle).
  - Hood mounted       Loose for wall mounting

**UL US LISTED**  
 □ U.L. File MH12960 (Without Exhaust Fire Damper)  
 □ U.L. File MH12071 (With Exhaust Fire Damper)

Number of light switches \_\_\_\_\_  
 Number of fan switches \_\_\_\_\_ Voltage \_\_\_\_\_ 115V \_\_\_\_\_ 24V **NSF**

To maintain KEES' policy of continuous product development, we reserve the right to change prices, specifications, ratings and dimensions without notice or obligation.

Project	Location
Engineer	<b>KEES INCORPORATED</b> 400 S. Industrial Dr. • P.O. Box L Elkhart Lake, WI 53020 Phone: (920) 876-3391 Fax: (920) 876-3065 Website: www.kees.com
Architect	
Contractor	Dwg. No. SD-SW Date 06/10