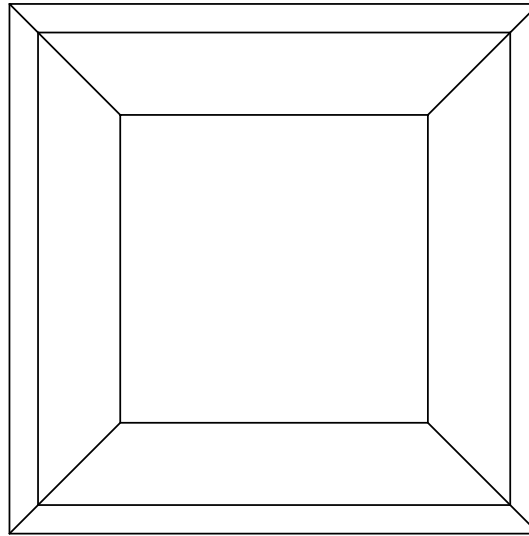




MODEL PSD-S

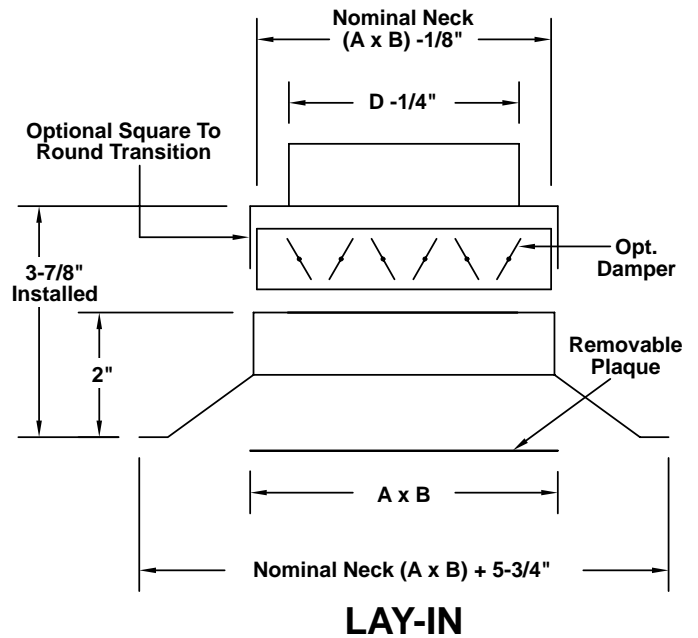
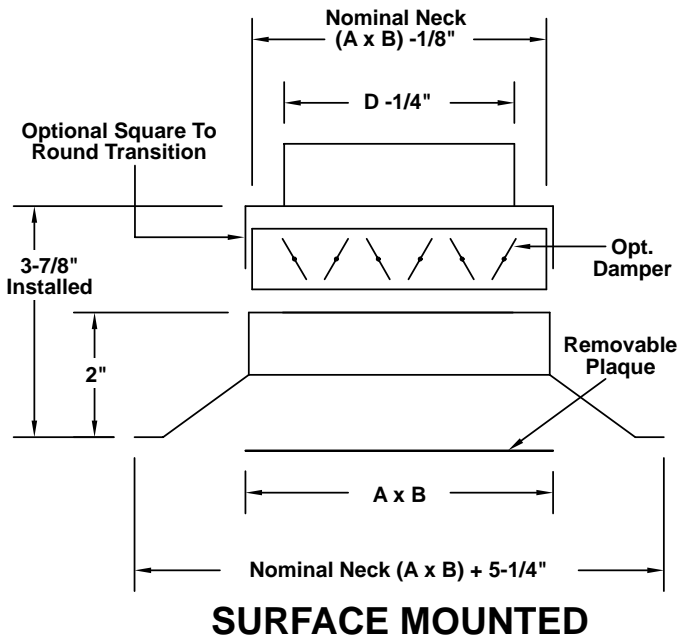
STAINLESS STEEL PLAQUE DIFFUSER WITH SQUARE NECK

TYPE 304 (STANDARD) OR 316 (OPTIONAL) STAINLESS STEEL CONSTRUCTION



CONSTRUCTION:

- 18 Ga. Stainless Steel Frame And Plaque With Satin Polished Finish.
- 24 Ga. Stainless Steel Neck.
- Square or Round Neck.
- Optional Damper of 304 S.S., 316 S.S. or Standard Steel.
- Surface Mount or Lay-In.



| Qty. | Neck Size A x B | Round Neck Size D | Type S.S. | | Mounting | | Damper | Tag |
|------|--------------------|----------------------|-----------|-----|----------|--------|--------|-----|
| | | | 304 | 316 | Surface | Lay-In | | |
| | | | | | | | | |
| | | | | | | | | |
| | | | | | | | | |
| | | | | | | | | |

To maintain KEES' policy of continuous product development, we reserve the right to change prices, specifications, ratings and dimensions without notice or obligation.

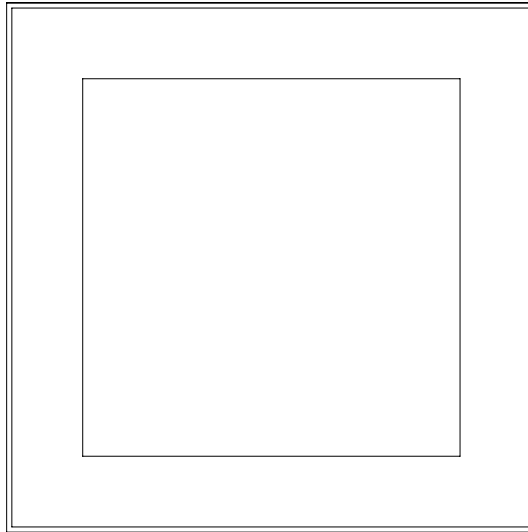
| | | | | | | |
|-------------------|--|--|--|-----------------|------------------|---|
| Project | | | | Location | | <p>KEES INCORPORATED 400 S. Industrial Dr. Elkhart Lake, WI 53020 Phone: (920) 876-3391 Fax: (920) 876-3065 Website: www.kees.com</p> |
| Engineer | | | | Dwg. No. | SD-SSPD-S | |
| Architect | | | | Date | 08/13 | |
| Contractor | | | | | | |



MODEL PSD-R

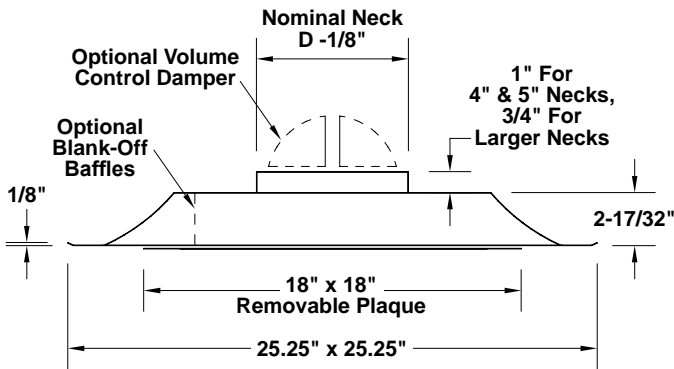
24" x 24" STAINLESS STEEL PLAQUE DIFFUSER WITH ROUND NECK

TYPE 304 STAINLESS STEEL CONSTRUCTION

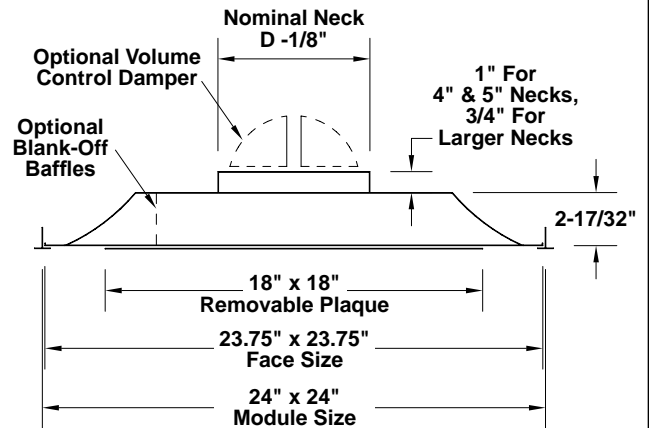


CONSTRUCTION:

- 22 Ga. Type 304 Stainless Steel Frame And Plaque With Satin Polished Finish.
- 24 Ga. Stainless Steel Neck.
- Round Neck; 4", 5", 6", 8", 10", 12", 14" or 15".
- Optional Damper of 304 S.S.
- Optional Blank-off Baffles, Field Installed.
- Surface Mount or Lay-In.



SURFACE MOUNTED



LAY-IN

| Qty. | Mounting | | Round Neck Size D | Damper | Baffles | Tag |
|------|----------|--------|----------------------|--------|---------|-----|
| | Surface | Lay-In | | | | |
| | | | | | | |
| | | | | | | |
| | | | | | | |
| | | | | | | |
| | | | | | | |

To maintain KEES' policy of continuous product development, we reserve the right to change prices, specifications, ratings and dimensions without notice or obligation.

| | | | |
|------------|--|----------|-----------|
| Project | | Location | |
| Engineer | | | |
| Architect | | Dwg. No. | SD-SSPD-R |
| Contractor | | Date | 08/13 |



KEES INCORPORATED
 400 S. Industrial Dr.
 Elkhart Lake, WI 53020
 Phone: (920) 876-3391
 Fax: (920) 876-3065
 Website: www.kees.com