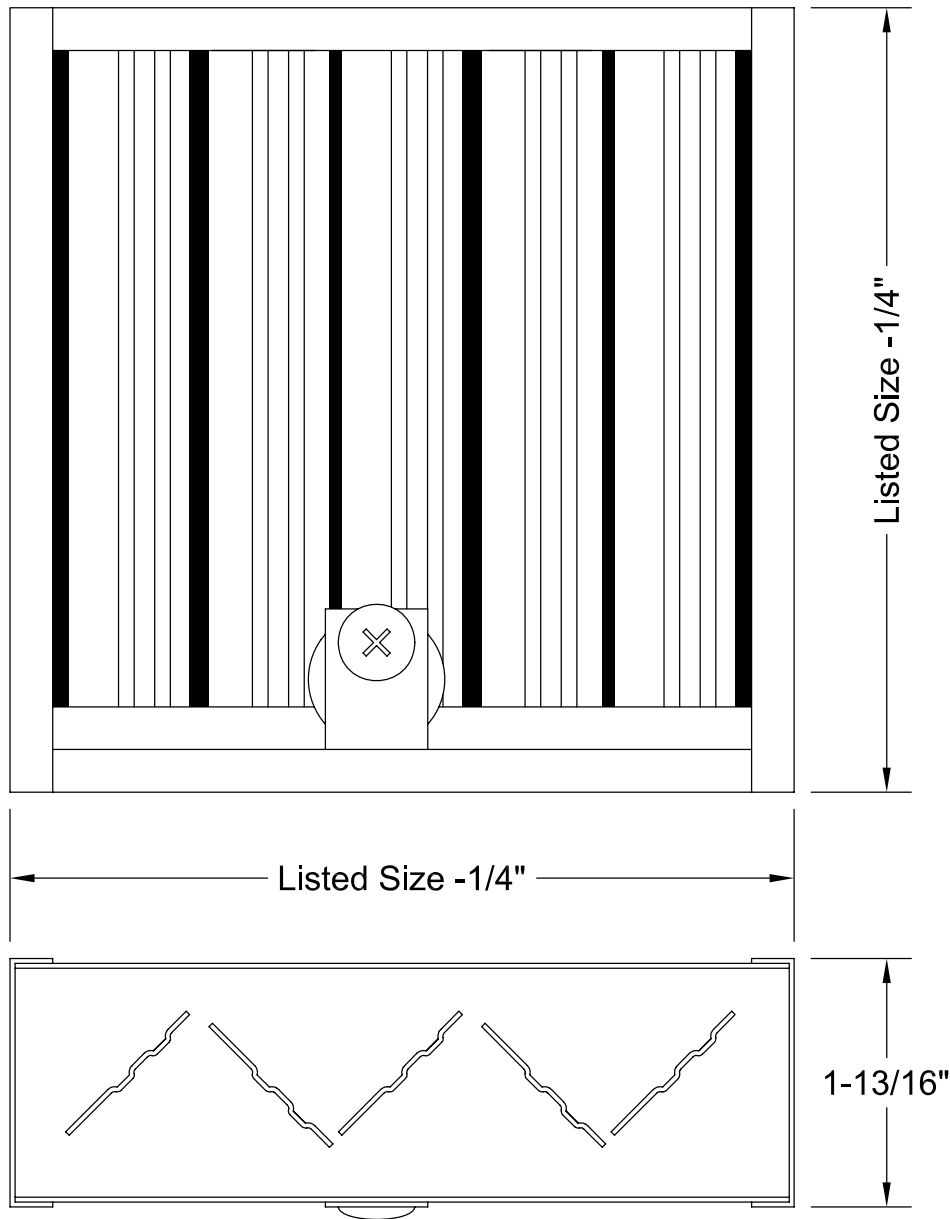



STAINLESS STEEL OPPOSED BLADE DAMPER

20 Ga. 304 (Standard) or 316 (Optional) Stainless - Mill Finish



Quantity	W	H	Type S.S.		Tag
			304	316	

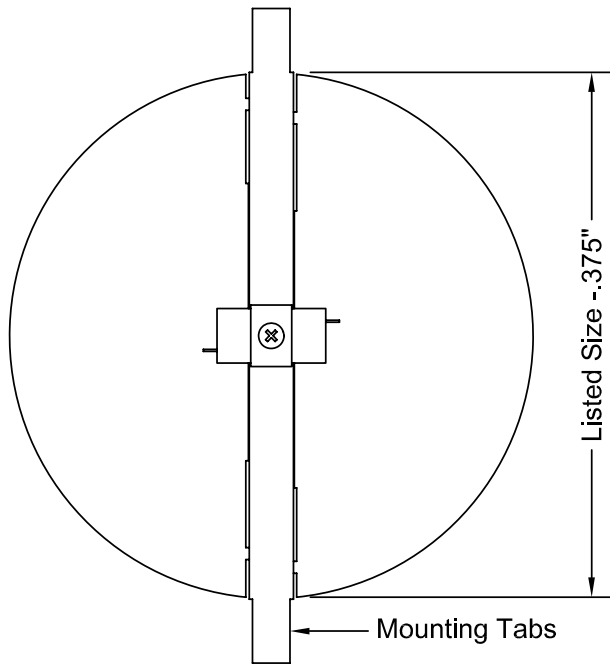
To maintain KEES' policy of continuous product improvement, we reserve the right to change prices, specifications, ratings or dimensions without notice or obligation.

Project			Location		
Engineer				 KEES INCORPORATED 400 S. Industrial Dr. • P.O. Box L Elkhart Lake, WI 53020 Phone: (920) 876-3391 Fax: (920) 876-3065 Website: www.kees.com	
Architect		Dwg. No.	SS-OBD		
Contractor		Date	01/07		

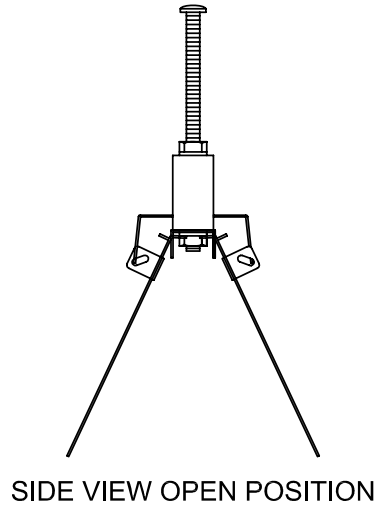
STAINLESS STEEL ROUND BUTTERFLY DAMPER

Model SSRBF

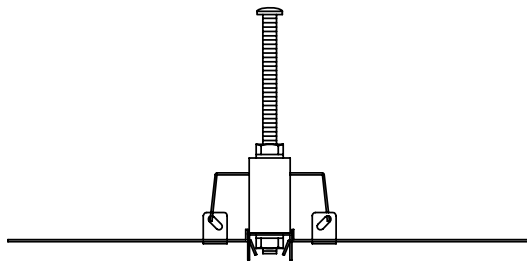
20 Ga. 304 (Standard) or 316 (Optional) Stainless - Mill Finish - Available to 36" Diameter



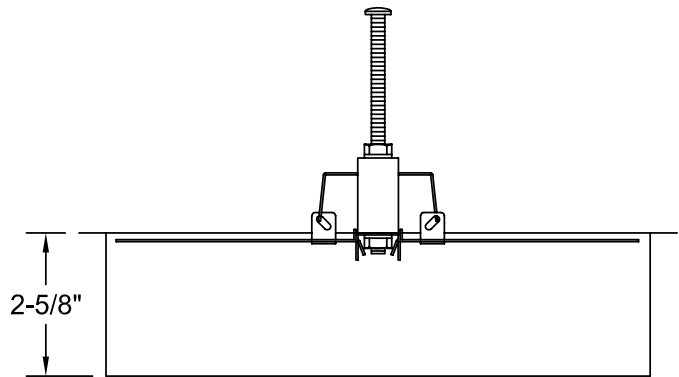
TOP VIEW CLOSED POSITION



SIDE VIEW OPEN POSITION



SIDE VIEW CLOSED POSITION




OPTIONAL ROUND COLLAR

Quantity	Listed Neck Size (Dia.)	Type S.S.		Optional Collar	Tag
		304	316		

To maintain KEES' policy of continuous product improvement, we reserve the right to change prices, specifications, ratings or dimensions without notice or obligation.

Project			Location		
Engineer					
Architect		Dwg. No.	SS-SSRBF		
Contractor		Date	01/07		



KEES INCORPORATED
 400 S. Industrial Dr. • P.O. Box L
 Elkhart Lake, WI 53020
 Phone: (920) 876-3391
 Fax: (920) 876-3065
 Website: www.kees.com