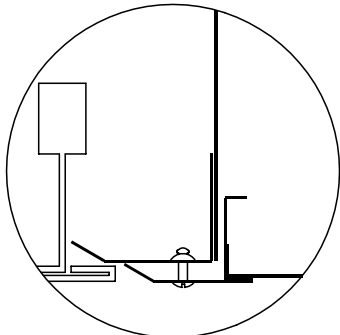




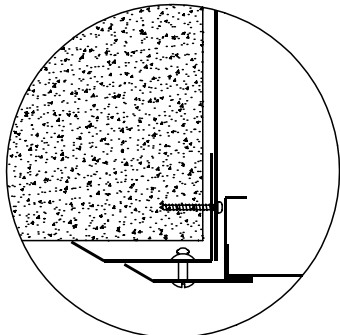
STAINLESS STEEL LAMINAR FLOW DIFFUSER - MODEL LA

304 S.S. (Standard) 316 (Optional) With Satin Polish

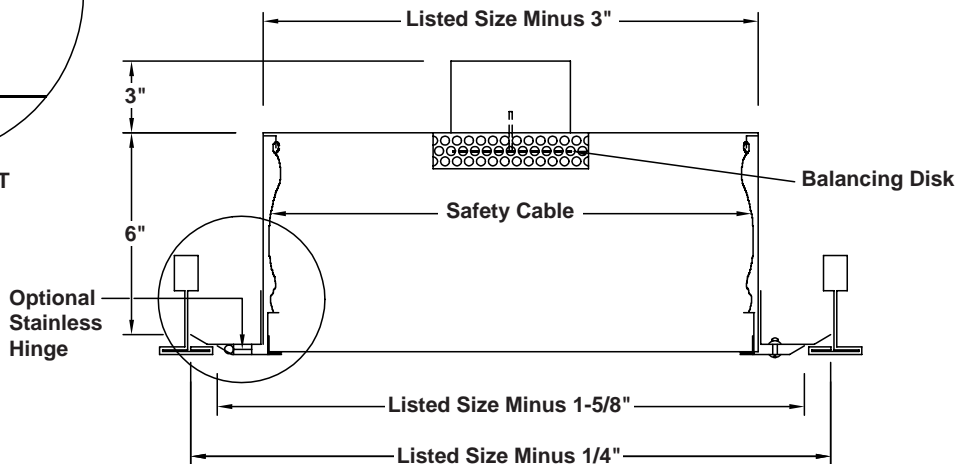
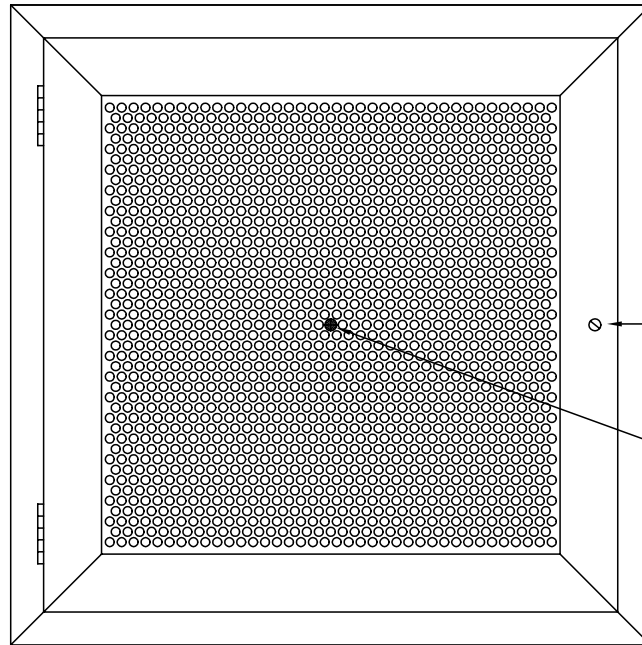
3/32" Round Holes on 1/4" Staggered Centers - 13% F.A.



LAY-IN



SURFACE MOUNT



REMOVABLE WITH SAFETY CABLE STANDARD, OPTIONAL HINGED FACE AVAILABLE ON UNITS 24" WIDE AND LARGER

Qty.	Listed Size	Neck Size		Face		C.F.M.	S.P.	Type S.S.		Tag
		Round	Square	Removable	Hinged			304	316	

To maintain KEES' policy of continuous product improvement, we reserve the right to change prices, specifications, ratings or dimensions without notice or obligation.

Project		Location		<p>KEES INCORPORATED 400 S. Industrial Dr. • P.O. Box L Elkhart Lake, WI 53020 Phone: (920) 876-3391 Fax: (920) 876-3065 Website: www.kees.com</p>
Engineer		Dwg. No.	SD-SSLA	
Architect		Date	05/08	
Contractor				