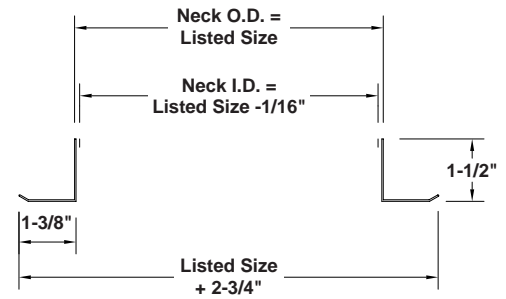
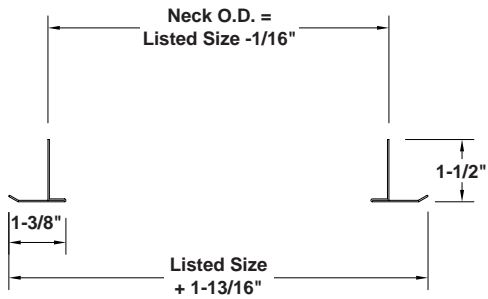
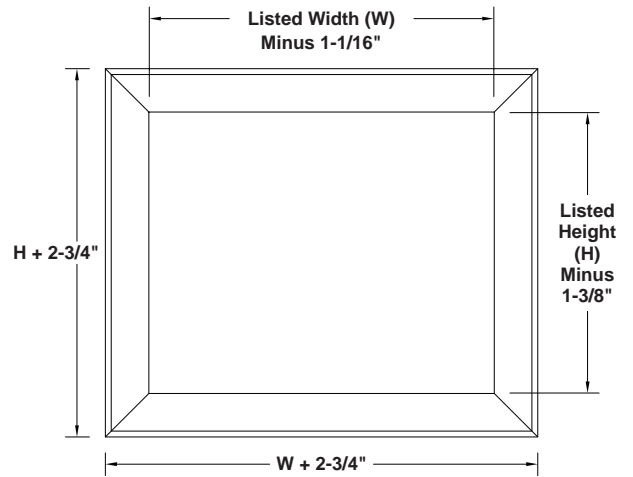
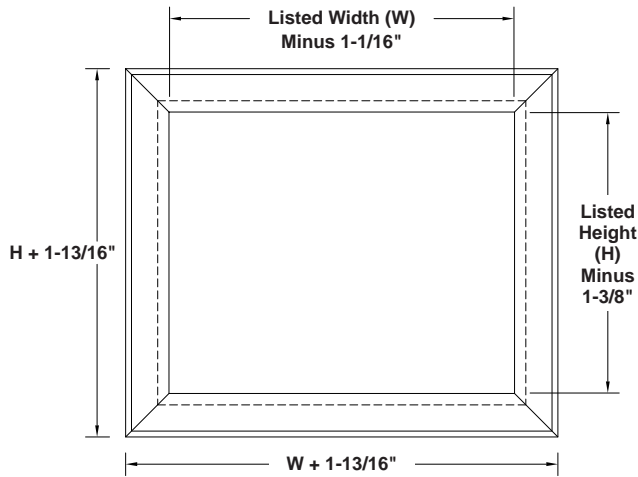


STAINLESS STEEL LAY-IN AND PLASTER FRAMES

304 (Standard) or 316 (Optional) Stainless - Satin Finish

Lay-in frame maximum single section 48" x 48", 20 GA. Frame
 Plaster frame maximum single section 60" x 48".




Lay-In Frame, LIF

Plaster Frame, PF

Qty.	Model	W	H	Type S.S.	Tag

To maintain KEES' policy of continuous product improvement, we reserve the right to change prices, specifications, ratings or dimensions without notice or obligation.

Project			Location		
Engineer			Dwg. No.	SD-SS-Frames	 KEES INCORPORATED 400 S. Industrial Dr. • P.O. Box L Elkhart Lake, WI 53020 Phone: (920) 876-3391 Fax: (920) 876-3065 Website: www.kees.com
Architect					
Contractor			Date	08/09	