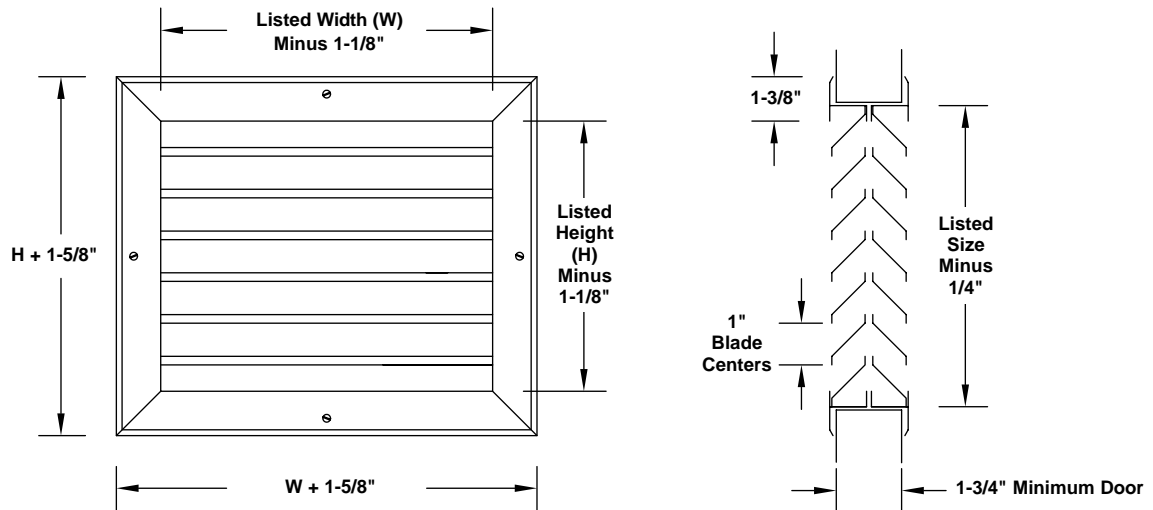


STAINLESS STEEL DOOR GRILLES

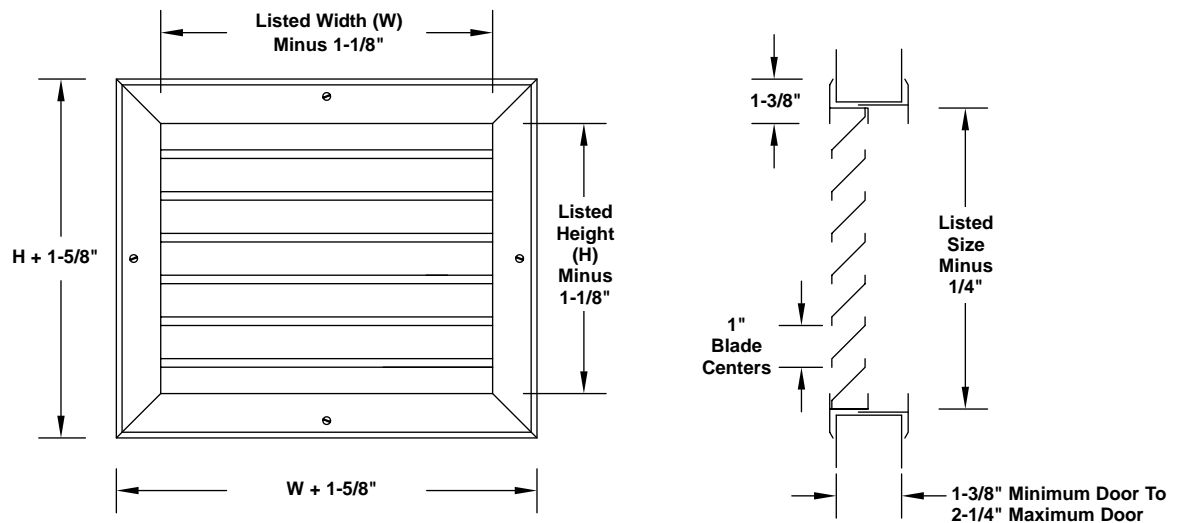
304 (Standard) or 316 (Optional) Stainless - Satin Finish

20 GA. Frame, 18 GA. Blades
 Maximum single piece size is 60" x 48".

MODEL SSDG-B - GRILLE BOTH SIDES OF DOOR




MODEL SSDG-T - GRILLE WITH TRIM FRAME ON REAR



| Quantity | Model | W | H | Type S.S. | | Tag |
|----------|-------|---|---|-----------|-----|-----|
| | | | | 304 | 316 | |
| | | | | | | |
| | | | | | | |
| | | | | | | |

To maintain KEES' policy of continuous product improvement, we reserve the right to change prices, specifications, ratings or dimensions without notice or obligation.

| | | | | | | |
|-------------------|--|--|-----------------|-----------------|--|--|
| Project | | | | Location | | |
| Engineer | | | | | | |
| Architect | | | Dwg. No. | SD-SSDG |  KEES INCORPORATED 400 S. Industrial Dr. • P.O. Box L Elkhart Lake, WI 53020 Phone: (920) 876-3391 Fax: (920) 876-3065 Website: www.kees.com | |
| Contractor | | | Date | 03/05 | | |