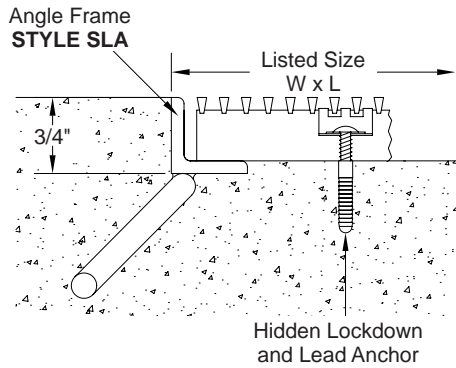


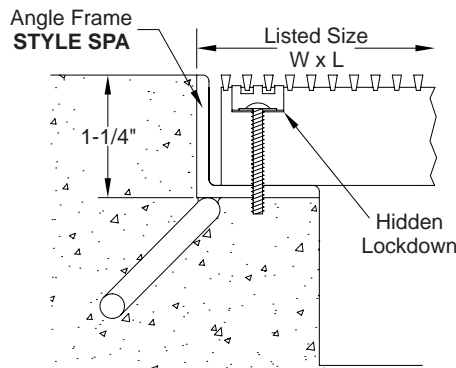


Stainless Steel Grates

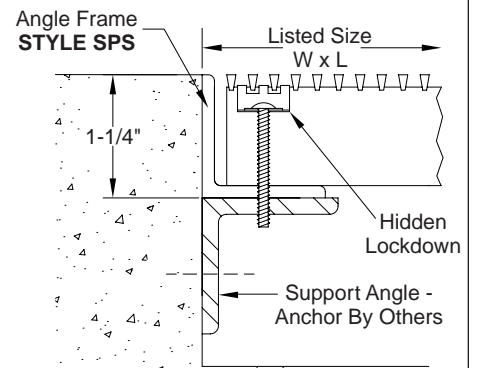
FLOOR GRATING



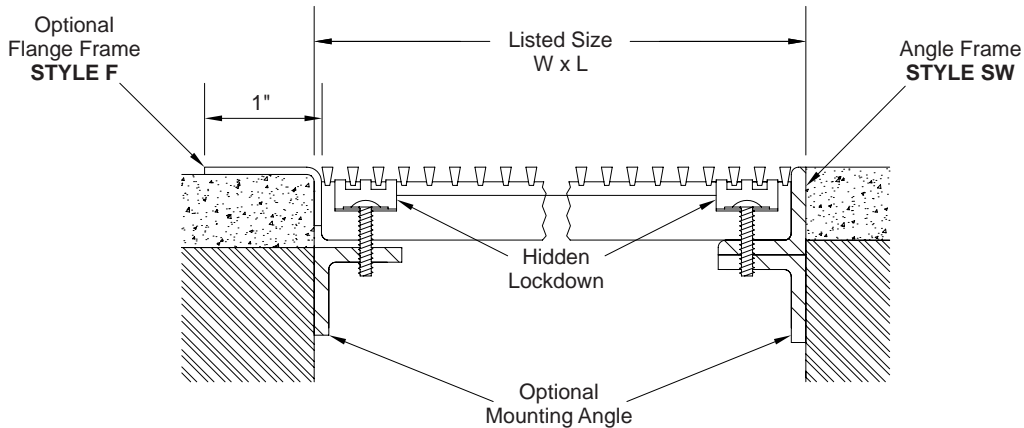
5/8" Core For Level Bed Floor Applications.
Intermediate Assembly Brackets
Required For Multi-Section Grates.



1-1/8" Core For Ducted or Pit Floor Applications.
Intermediate Supports Required For Larger or Multi-Section Grates.



WALL OR SILL GRATING



5/8" Core For Ducted Wall or Sill Applications

MATERIAL: 304 stainless steel.

FINISH: Satin.

FACE BARS: .071" x .177" wire with 1/8" clear opening between bars. 63% free area.

SUPPORT BARS: 1" O.C.

CONSTRUCTION: Face bars are welded to support bars at each intersection. Face bars and support bars are not exactly perpendicular. Face and support bars of adjacent sections will not be aligned. Contact the factory for intermediate assembly bracket or support details.

Qty.	Listed Size		Core Style	Frame Style	Number of Sections		Options	Tag
	L	W			L	W		

To maintain KEES' policy of continuous product development, we reserve the right to change prices, specifications, ratings and dimensions without notice or obligation.

Project	Location	
Engineer	Dwg. No.	SD-SSBG
Architect	Date	09/10
Contractor		



KEES INCORPORATED
 400 S. Industrial Dr.
 Elkhart Lake, WI 53020
 Phone: (920) 876-3391
 Fax: (920) 876-3065
 Website: www.kees.com