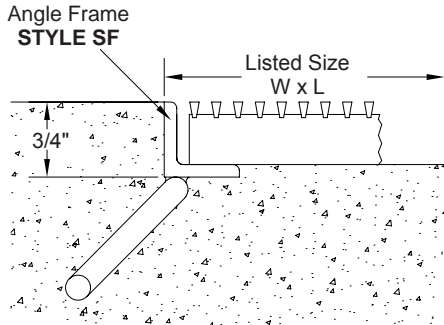


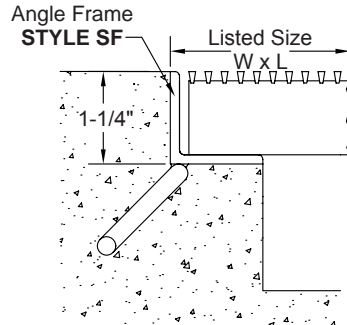


Stainless Steel Grates

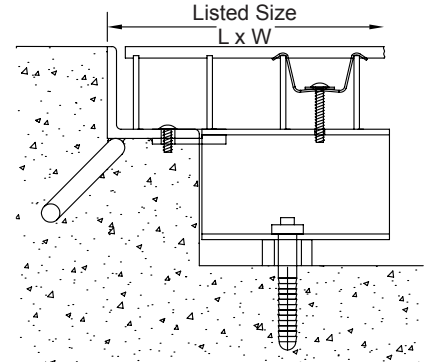
FLOOR GRATING



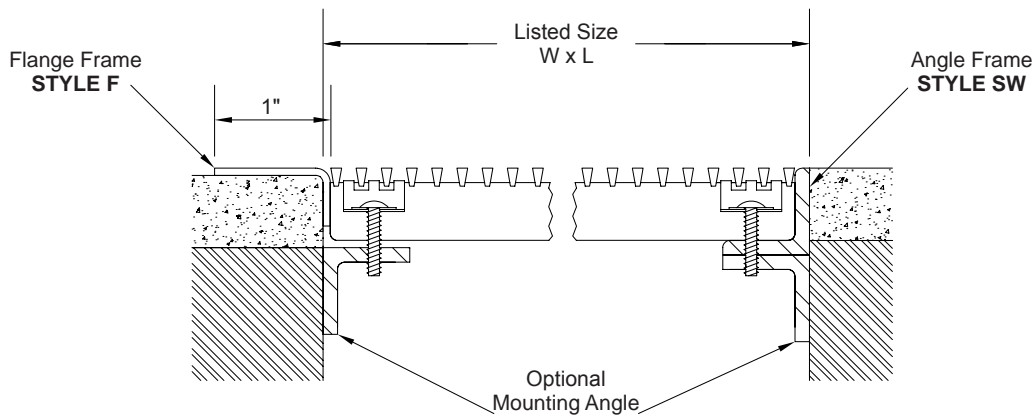
5/8" Core For Level Bed Floor Applications



1-1/8" Core For Ducted or Pit Floor Applications



WALL OR SILL GRATING



5/8" Core For Ducted Wall or Sill Applications

MATERIAL: 304 stainless steel.

FINISH: Satin.

FACE BARS: .093" x .156" wire with 1/8" clear opening between bars. 57% free area.

SUPPORT BARS: 1" O.C.

CONSTRUCTION: Face bars are welded to support bars at each intersection. Face bars and support bars are not exactly perpendicular. Face and support bars of adjacent sections will not be aligned.

Qty.	Listed Size		Core Style	Frame Style	Number of Sections		Options	Tag
	L	W			L	W		

To maintain KEES' policy of continuous product improvement, we reserve the right to change prices, specifications, ratings or dimensions without notice or obligation.

Project				Location					
Engineer				KEES INCORPORATED 400 S. Industrial Dr. • P.O. Box L Elkhart Lake, WI 53020 Phone: (920) 876-3391 Fax: (920) 876-3065 Website: www.kees.com					
Architect								Dwg. No.	SD-SSBR
Contractor								Date	04/04