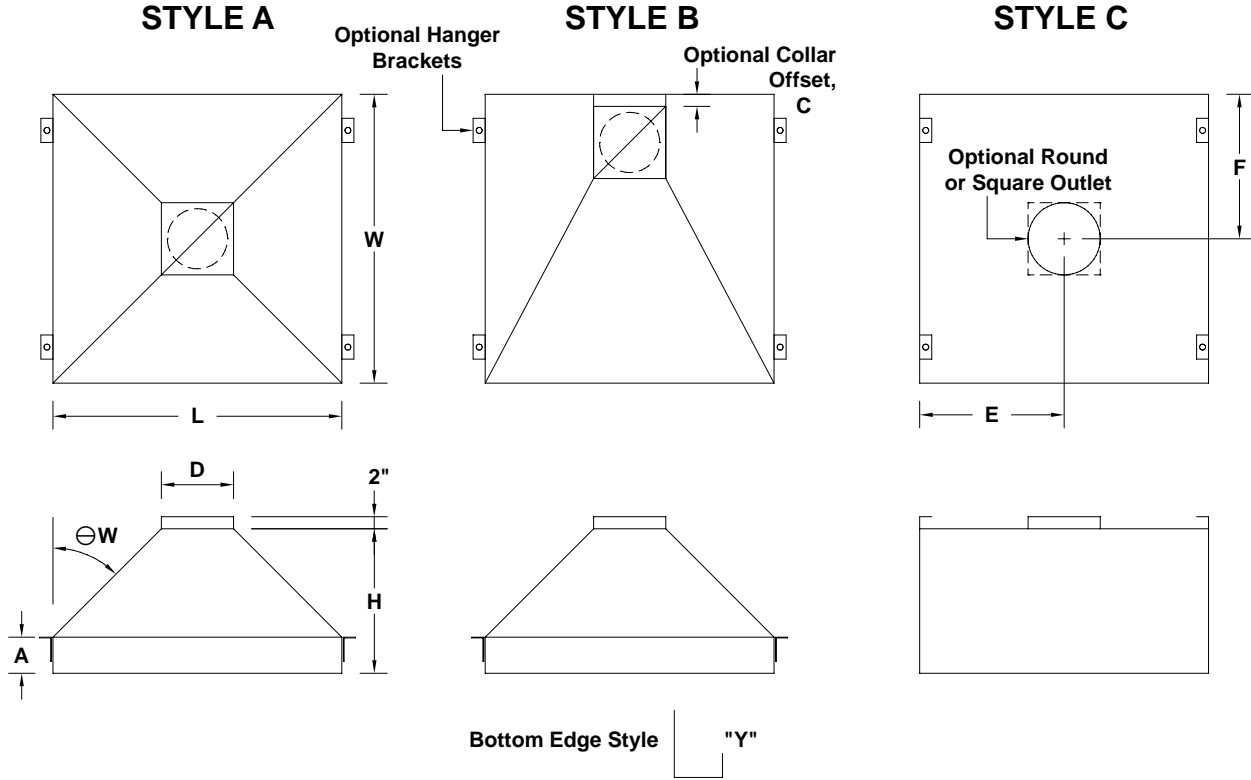




# OVERHEAD INDUSTRIAL HOODS



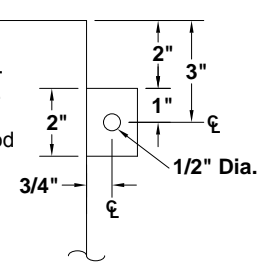
**TYPICAL USES:** Venting heated or lighter than air vapors and gases of all types, and fine dusts that are air suspended.



**CONSTRUCTION:** All welded 18 GA. galvanized steel, 18 GA. 304 or 316 stainless steel with 2B finish or .063 aluminum. Heavier gauges available: 16, 14, 12 and 10.

**DIMENSIONS:** As required for job conditions.

**4 HANGER BRACKETS**  
One at Each  
Corner of Hood



Qty.	Style	Material	Gauge	L	W	H	A	Nominal D	Actual O.D. / I.D.	Offset C	Location E	F

Hanger Brackets	⊖L	⊖W	Finish	Special	Tag

To maintain KEES' policy of continuous product development, we reserve the right to change prices, specifications, ratings and dimensions without notice or obligation.

<b>Project</b>		<b>Location</b>	
<b>Engineer</b>		<b>Dwg. No.</b>	<b>SD-SMOH</b>
<b>Architect</b>		<b>Date</b>	<b>09/14</b>
<b>Contractor</b>			



**KEES INCORPORATED**  
400 S. Industrial Dr.  
Elkhart Lake, WI 53020  
Phone: (920) 876-3391  
Fax: (920) 876-3065  
Website: www.kees.com