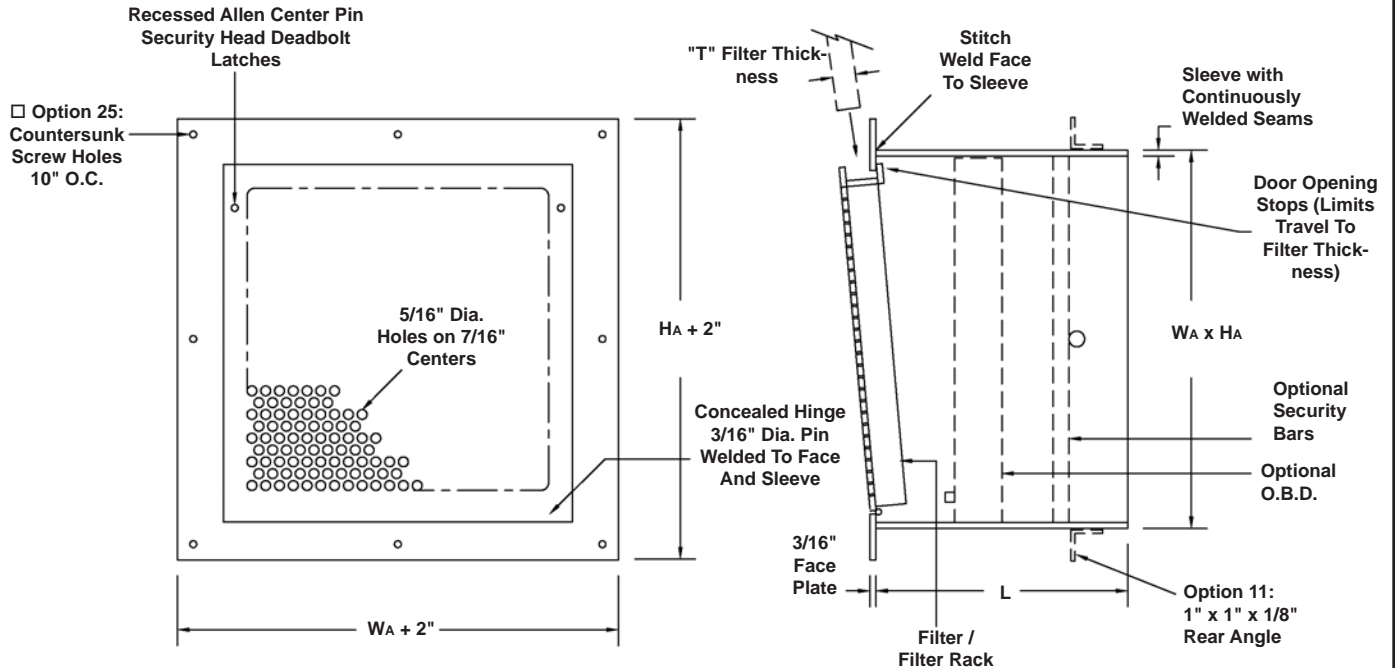


SEG-9HFG3 SECURITY – FILTER GRILLE STEEL CONSTRUCTION



FEATURES:

- Face Plate 3/16" Steel Face Plate / All Welded Unit Construction (Std.) **Optional** 10 GA. 12 GA. 14 GA. Steel Face Plate
- Sleeve 10 GA. Steel Sleeve / Continuously Welded Seams (Std.) **Optional** 3/16" 12 GA. 14 GA. Steel Sleeve
- Perforated Pattern 5/16" Dia. Holes on 7/16" Staggered Centers 46% F.A. (Std.)
 Other _____
- Filters By Others Disposable Type, by KEES (Shipped Loose) Aluminum Cleanable Type, by KEES (Shipped Loose)
 Other _____
- Mounting Option 11 - 1" x 1" x 1/8" Rear Angle Frame / Welded Construction Shipped Loose For Field Welding (Std.)
 Option 25 - Countersunk Screws #10 x 1-1/2" Type: _____
 Other _____
- Finish KEES White Finish (Std.) Other _____
- Damper None Face Operated (Filter Must Be Removed To Adjust Damper) Rear Operated
- Steel Security Bars None 1/2" Dia. Bars On Max. 6" Centers Both Ways All Intersections Welded Other _____
- Other Options / Special Features _____

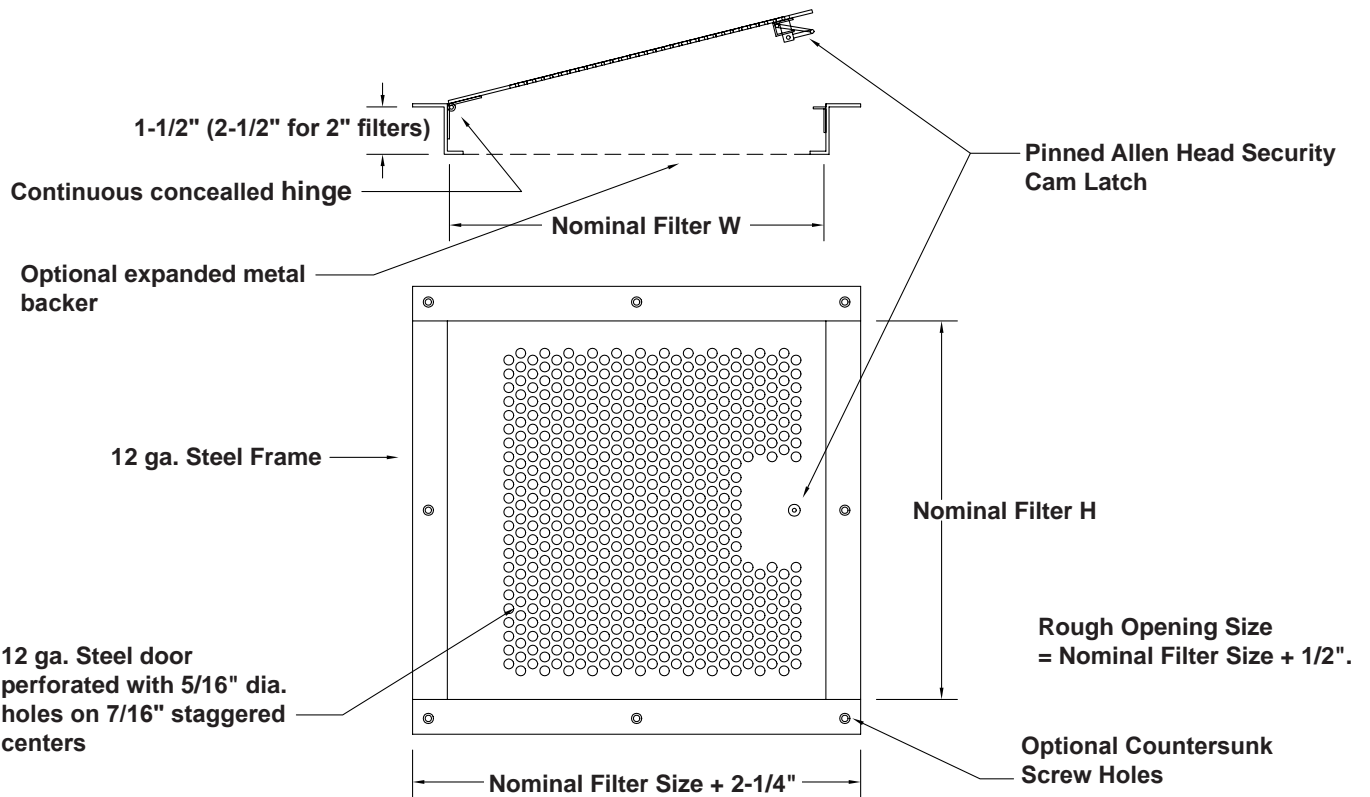
Qty.	Nominal Size		Actual Sleeve O.D.		Masonry Opening		Sleeve Length L	Wall Thickness	Filter Size Actual			Tag
	W	H	W _A	H _A	W	H			W	H	T	

To maintain KEES' policy of continuous product improvement, we reserve the right to change prices, specifications, ratings or dimensions without notice or obligation.

Project		Location	
Architect/Engineer			
Contractor	Dwg. No.	SEG-9HFG3w 4/20/05	
Representative	Date		

KEES INCORPORATED
 Elkhart Lake, WI 53020
 Phone: (920) 876-3391
 Fax: (920) 876-3065
 Website: www.kees.com

SEG-9HFG8 HINGED SECURITY FILTER GRILLE (SSP ACCESS DOOR WITH PERFORATED PANEL)



STANDARD CONSTRUCTION:

- Frame:** 12 ga. steel.
- Door:** 12 ga. steel with 5/16" diameter holes on 7/16" staggered centers.
- Hinge:** Continuous concealed hinge welded to door and frame. Opens 120 degrees.
- Latches:** Pinned allen head security cam latches. One latch per door on sizes up to 16" x 16". Sizes over 16" in height or width will have additional latches.
- Filter Stop:** 5/8" lip bent in on frame.
- Finish:** Two part polyurethane inside and out. White.

REQUIRED CONSTRUCTION:

- Door Material:** 12 ga. steel (Std.)
 Other _____
- Perforations:** 5/16" dia. holes on 7/16" staggered centers.(Std.)
 3/16" dia. holes on 9/32" staggered centers. Suicide deterrent. Meets NIC recommendations and Calif. Title 24
 Other _____
- Filter depth "F":** 1" (Std.)
 2"
 Other _____
- Frame Material:** 12 ga. steel (Std.)
 Other _____
- Finish:** White (Std.)
 Other _____

MOUNTING OPTIONS:

- Screw holes in side of frame 10" o.c. to allow attachment to framing behind door. (Std)
- Countersunk screw holes in face 10" o.c. with #10 x 1-1/2" long Torx security screws.
- None
- Other _____

Latches:

- Pinned allen head security cam latches. (Std)
- Key operated cylinder cam latches.
- Other _____

Filters:

- None. Furnished by others. Advise size _____ Std)
- 1" fiberglass throwaway
- 1" aluminum mesh washable
- Other _____

Other Options:

- Expanded screen for use with non framed media.
- Other _____

Qty	Nominal Filter Size	Rough Opening	Tag

To maintain KEES' policy of continuous product improvement, we reserve the right to change prices, specifications, ratings or dimensions without notice or obligation.

Project		Location	
Architect/ Engineer			
Contractor	Dwg. No.	SEG-9HFG8w 12/21/10	
Representative	Date		



KEES INCORPORATED
 Elkhart Lake, WI 53020
 Phone: (920) 876-3391
 Fax: (920) 876-3065
 Website: www.kees.com