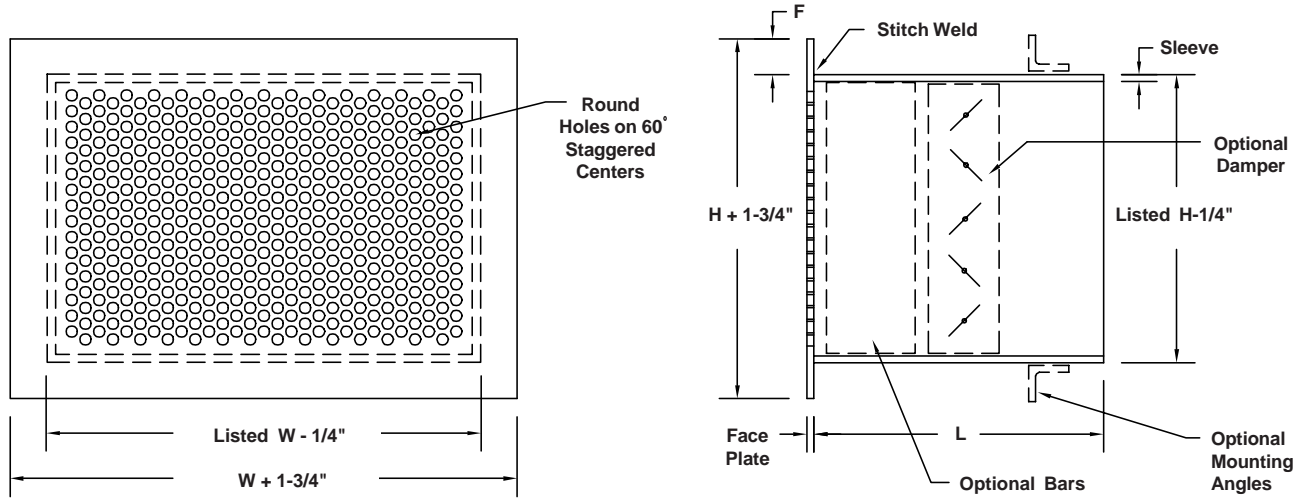


SEG-9 SECURITY GRILLE – SUPPLY OR RETURN



STANDARD CONSTRUCTION

Face: 3/16" thick steel stitch welded to sleeve. 1" face flange.
Hole Pattern: 5/16" diameter holes on 7/16" staggered centers.
Sleeve: 3/16" steel with continuously welded or formed seams.
Finish: Two part polyurethane inside and out. White.

REQUIRED CONSTRUCTION:

- Face Material:** 3/16" steel (Std.)
 10 ga. steel
 12 ga. steel
 Other _____
- Hole Pattern:** 5/16" dia. holes on 7/16" centers (Std.)
 1/4" dia. holes on 3/8" centers
 Other _____
- Flange "F":** 1" (Std.)
 Other _____
- Sleeve Material:** 3/16" steel (Std.)
 10 ga. steel
 12 ga. steel
 14 ga. steel
 Other _____
- Finish:** White (Std.)
 Other _____
- Other Material:** **SEG-9A** all aluminum construction
 3/16" or 1/8" thick.
 SEG-9SS all stainless steel construction
 10 ga. type 304.

MOUNTING OPTIONS:

- 11A.** Two loose pieces of 1" x 1" x 3/16" mill finish steel angle loose for field welding. Length equal to longest side of grille. Other angle size _____
- 11B.** Rear angle frame of 1" x 1" x 3/16" mill finish steel completely assembled for field welding. Other angle size _____
- 12A.** Rear angle frame for bolting to sleeve. 1" x 1" x 3/16" steel with bolt holes 8" o.c. for 1/4" dia. bolts. No holes in sleeve. No bolts, nuts or washers. Other angle size _____
- 12B.** Rear angle frame for bolting to sleeve. 1" x 1" x 3/16" steel with bolt holes in sleeve and frame 8" o.c. for 1/4" dia. bolts. No bolts, nuts or washers. (Advise wall or ceiling thickness). Other angle size _____
- 23.** Masonry anchors: 1/2" x 3" anchors 16" o.c., one per side minimum, welded to sleeve exterior. Other size or spacing _____
- 24.** Countersunk screw holes in face 10" o.c. with #10-24 x 2" long Torx security machine screws for 1-1/2" maximum ceiling thickness. 1" x 1" x 1/8" steel angle frame with matching holes and foldover nuts. Requires 1-1/2" flange.
- 25.** Countersunk screw holes in face 10" o.c. with #10 x 1-1/2" long Torx security sheet metal screws. Other screw length _____

ACCESSORIES:

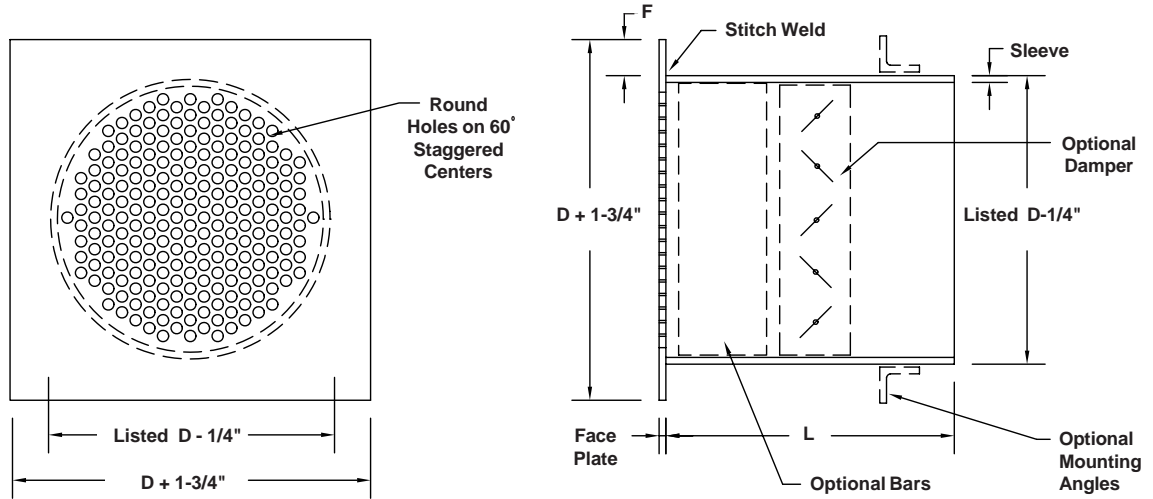
- 16F.** Face operated opposed blade damper tack welded into sleeve.
- 16R.** Rear operated opposed blade damper tack welded into sleeve.
- 21.** 2-1/2" x 3/8" hot rolled steel vertical security bars 4" o.c., welded to sleeve.
- Other:** _____

Qty.	Listed Size		Sleeve O.D.		Masonry Opening		Sleeve Length L	Wall Thickness	Accessories	Mounting Option	Tag
	W	H	W	H	W	H					

To maintain KEES' policy of continuous product improvement, we reserve the right to change prices, specifications, ratings or dimensions without notice or obligation.

Project				Location						
Architect / Engineer				<p>KEES INCORPORATED 400 S. Industrial Dr. • P.O. Box L Elkhart Lake, WI 53020 Phone: (920) 876-3391 Fax: (920) 876-3065 Website: www.kees.com</p>						
Contractor			Dwg. No.					SEG-9w 03/29/06		
Representative			Date							

SEG-9RD SECURITY GRILLE — ROUND SLEEVE



STANDARD CONSTRUCTION

Face: 3/16" thick steel square face stitch welded to sleeve. 1" face flange.
Hole Pattern: 5/16" diameter holes on 7/16" staggered centers.
Sleeve: 1/8" steel with continuously welded or formed seams.
Finish: Two part polyurethane inside and out. White.

REQUIRED CONSTRUCTION:

- Face Shape:** Square (Std.)
 Round
- Face Material:** 3/16" steel (Std.)
 10 ga. steel
 Other _____
- Hole Pattern:** 5/16" dia. holes on 7/16" centers (Std.)
 1/4" dia. holes on 3/8" centers
 Other _____
- Flange "F":** 1" (Std.)
 Other _____
- Sleeve Material:** 10 ga. steel (Std.)
 3/16" steel (not available for some sizes)
 12 ga. steel
 Other _____
- Finish:** White (Std.)
 Other _____
- Other Material:** SEG-9RDA all aluminum
 SEG-9RDSS all stainless steel

MOUNTING OPTIONS:

- 11A.** Two loose pieces of 1" x 1" x 3/16" mill finish steel angle loose for field welding. Length equal to flange o.d. of grille. Other angle size _____
- 11B.** Rear angle frame (square) of 1" x 1" x 3/16" mill finish steel completely assembled for field welding. Other angle size _____
- 11R.** Rear angle ring for field welding to sleeve. Mill finish steel . Angle size varies by diameter.
 to 5" dia. 1" x 1" x 1/8"
 6" to 11" dia. 1-1/4" x 1-1/4" x 1/8"
 12" to 15" dia. 1-1/2" x 1-1/2" x 1/8"
 16" to 24" dia. 1-1/2" x 1-1/2" x 3/16"
 25" to 48" dia. 2" x 2" x 3/16"
- 23.** Masonry anchors: 1/2" x 3" Anchors 16" o.c., four per grille minimum, welded to sleeve exterior. Other size or spacing _____
- 25.** Countersunk screw holes in face 10" o.c. with #10 x 1-1/2" long Torx security sheet metal screws. Other screw length _____

ACCESSORIES:

- 16F.** Face operated opposed blade damper tack welded into sleeve.
- 16R.** Rear operated opposed blade damper tack welded into sleeve.
- 21.** 2-1/2" x 3/8" hot rolled steel vertical security bars 4" o.c., welded to sleeve.
- Other:** _____

Qty.	Listed Size Diameter	Sleeve O.D. Diameter	Masonry Opening Diameter	Sleeve Length L	Wall Thickness	Accessories	Mounting Option	Tag

To maintain KEES' policy of continuous product improvement, we reserve the right to change prices, specifications, ratings or dimensions without notice or obligation.

Project		Location		
Architect / Engineer				
Contractor		Dwg. No.	SEG-9RDW 03/29/06	
Representative		Date		

KEES INCORPORATED
 400 S. Industrial Dr. • P.O. Box L
 Elkhart Lake, WI 53020
 Phone: (920) 876-3391
 Fax: (920) 876-3065
 Website: www.kees.com