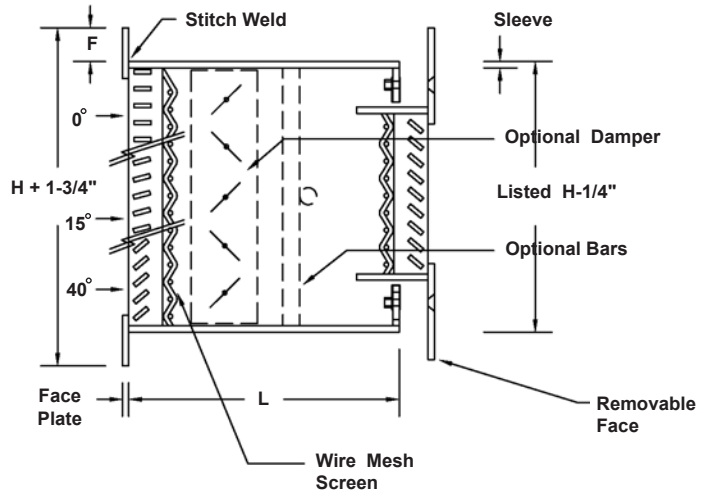
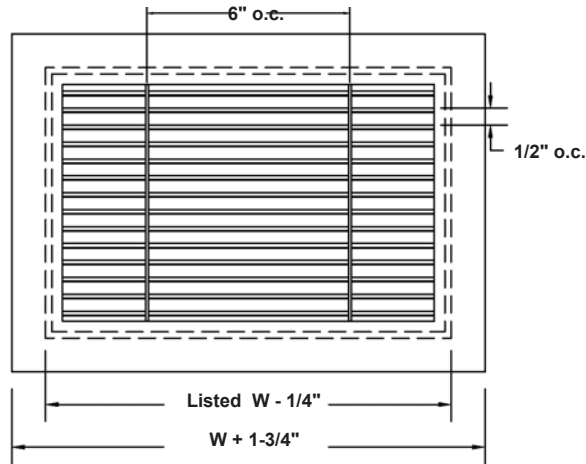


SEG-5TG SECURITY TRANSFER GRILLE REMOVABLE FACE



STANDARD CONSTRUCTION

Face: 14 ga. steel stitch welded to sleeve. 1" face flange.
Blades: 1/2" x 1/8" steel bars on 1/2" centers. Available on 40 degree (Std.) deflection, 0 or 15 degree. Blades penetrate supports and are welded to sleeve.
Supports: 14 ga. steel 6" o.c., stitch welded inside sleeve.
Screen: 10 ga. (.135" dia. wire) x #2 mesh (1/2" centers).
Sleeve: 14 ga. steel with continuously welded or formed seams.
Finish: Two part polyurethane inside and out. White.

REQUIRED CONSTRUCTION:

- Face Material:** 14 ga. steel (Std.)
 Other _____
- Deflection:** 40 degree (Std.)
 15 degree
 0 degree
- Flange "F":** 1" (Std.)
 Other _____
- Screen:** 10 ga. (.135" dia. wire) x #2 mesh (Std.)
 No screen.
 Other _____
- Sleeve Material:** 14 ga. steel (Std.)
 Other _____
- Finish:** White (Std.)
 Other _____
- Other Material:** **SEG-5TGA** all aluminum construction.
 SEG-5TGSS all type 304 stainless steel construction.

MOUNTING OPTIONS:


- 26.** Transfer grille with one face stitch welded to sleeve, one removable to allow installation in existing wall. Internal flange stitch welded to sleeve with foldover nuts. Countersunk screw holes in removable face and #10-24 x 1" Torx security machine screws

ACCESSORIES:

- 16F.** Face operated opposed blade damper tack welded into sleeve. Dampers are adjustable using flat bladd screwdriver.
- 19.** 1/2" dia. A-36 mild steel bars 6" o.c. both ways, welded to sleeve and at intersections.
- Other:** _____

| Qty. | Listed Size | | Sleeve O.D. | | Masonry Opening | | Sleeve Length L | Wall Thickness | Accessories | Mounting Option | Tag |
|------|-------------|---|-------------|---|-----------------|---|--------------------|----------------|-------------|-----------------|-----|
| | W | H | W | H | W | H | | | | | |
| | | | | | | | | | | | |
| | | | | | | | | | | | |
| | | | | | | | | | | | |
| | | | | | | | | | | | |

To maintain KEE'S policy of continuous product improvement, we reserve the right to change prices, specifications, ratings or dimensions without notice or obligation.

| | | | | | | | |
|-----------------------------|--|--|--|---|--|------------------------------|--|
| Project | | | | Location | | | |
| Architect / Engineer | | | | Contractor | | | |
| Representative | | | | Dwg. No. | | SEG-5TGw 05/21/08 | |
| Date | | | |  KEES INCORPORATED Elkhart Lake, WI 53020 Phone: (920) 876-3391 Fax: (920) 876-3065 Website: www.kees.com | | | |