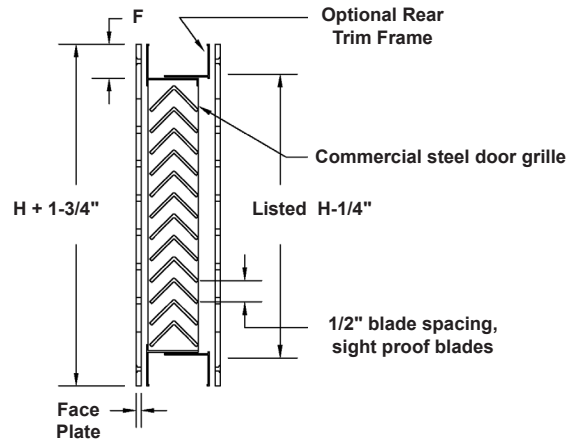
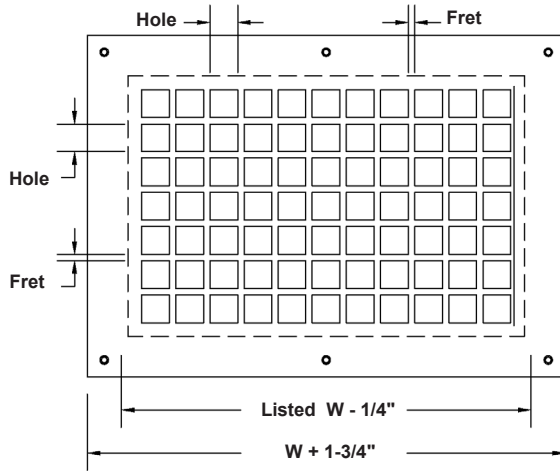


# SEG-4DG SECURITY DOOR GRILLE



**STANDARD CONSTRUCTION**

**Faces:** Two 12 ga. steel face plates covering commercial steel door grille. 1" face flange.

**Hole Pattern:** 13/16" square holes with 3/16" frets.

**Finish:** Two part polyurethane on face plates. White.

**REQUIRED CONSTRUCTION:**

- Face Material:**  12 ga. steel (Std.)  
 14 ga. steel  
 10 ga. steel  
 Other \_\_\_\_\_

- Hole Pattern:**  13/16" square holes with 3/16" frets (Std.)  
 3/4" square holes with 1/4" frets  
 1/2" square holes with 3/16" frets  
 5/16" round holes on 7/16" staggered centers  
 Other \_\_\_\_\_

- Flange "F":**  1" (Std.)  
 Other \_\_\_\_\_

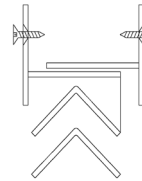
- Finish:**  White (Std.)  
 Other \_\_\_\_\_

- Other Material:**  SEG-4DGA aluminum construction.  
 SEG-4DGSS stainless steel construction

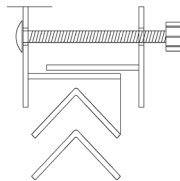
**MOUNTING OPTIONS:**

- Rear Trim Frame:** Same material and thickness as commercial grille. Fits doors from 1-3/8" to 2-1/4" thick.

- 25.** Countersunk screw holes in face 10" o.c. with #10 x 1" long Torx security screws. Other screw length \_\_\_\_\_




- 35.** Straight screw holes in face 10" o.c. with #10-24 x 2" long carriage bolts and Nylock nuts.



- Other:** \_\_\_\_\_

Qty.	Listed Size		Sleeve O.D.		Door Opening		Minimum Door Thickness	Maximum Door Thickness	Trim Frame	Mounting Option	Tag
	W	H	W	H	W	H					

To maintain KEES' policy of continuous product improvement, we reserve the right to change prices, specifications, ratings or dimensions without notice or obligation.

<b>Project</b>				<b>Location</b>			
<b>Architect / Engineer</b>				<b>Contractor</b>			
<b>Representative</b>				<b>Dwg. No.</b>	SEG-4DGw 07/26/11		
<b>Date</b>				 <b>KEES INCORPORATED</b> Elkhart Lake, WI 53020 Phone: (920) 876-3391 Fax: (920) 876-3065 Website: www.kees.com			