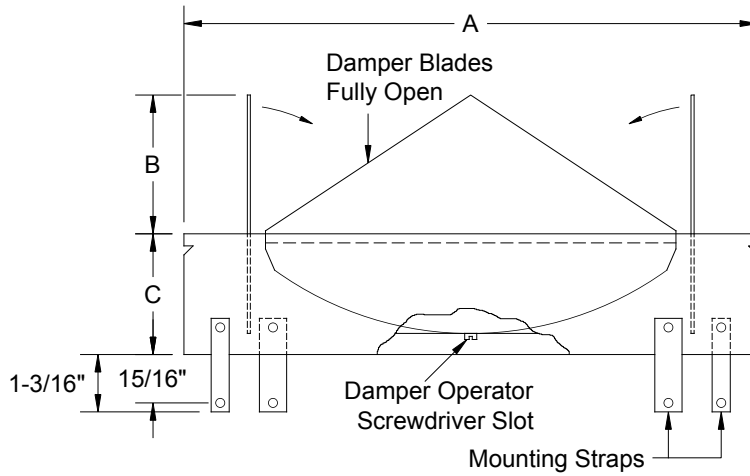
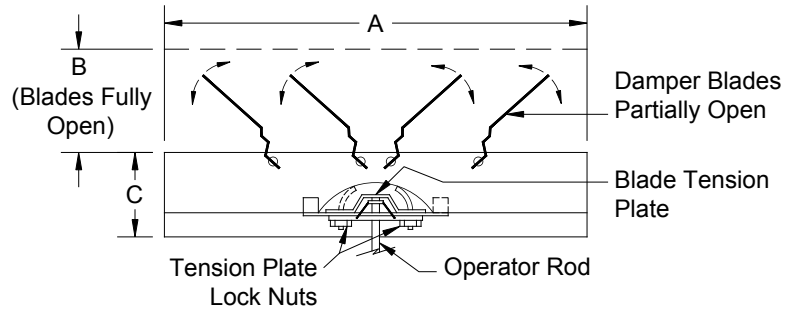


RADIAL OPPOSED BLADE ROUND DAMPER



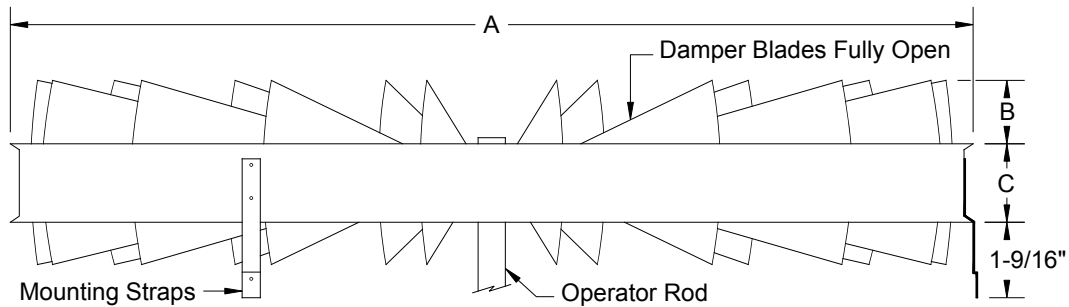
SIZES 5" - 16"

MATERIAL: Galvanized Steel FINISH: Mill



SIZE 18"

MATERIAL: Steel FINISH: Black



SIZES 20" - 24"

MATERIAL: Steel FINISH: Black

NOMINAL SIZE (Inches)

	5	6	8	10	12	14	15	16	18	20	24
Qty.											
A	4-7/8"	5-7/8"	7-7/8"	9-7/8"	11-7/8"	13-7/8"	14-7/8"	15-7/8"	17-7/8"	19-13/16"	23-13/16"
B	1-1/8"	1-5/8"	2-1/2"	2-1/4"	2-7/8"	3-3/8"	3-3/4"	4-3/8"	3"	3/4"	1-1/4"
C	1-5/8"				2-1/2"				1-3/4"	1-5/8"	

To maintain KEES' policy of continuous product development, we reserve the right to change prices, specifications, ratings and dimensions without notice or obligation.

Project	Location	
Engineer	Dwg. No.	SD-ROBD
Architect	Date	07/17
Contractor		

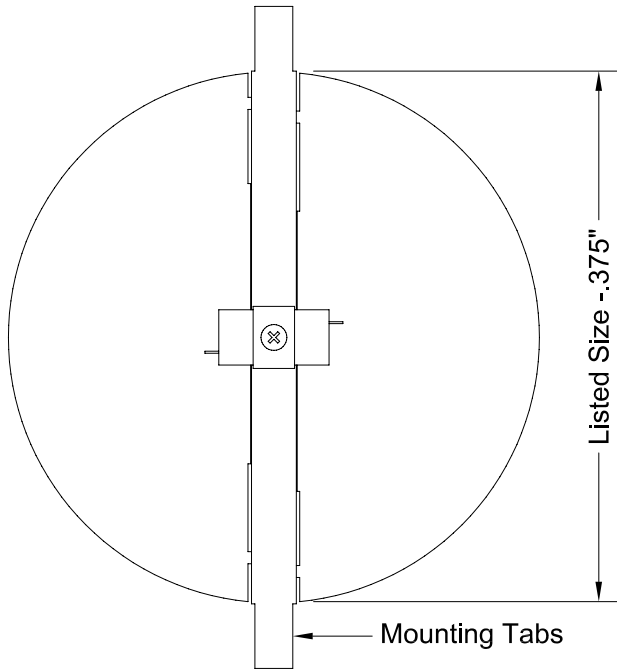


KEES INCORPORATED
 400 S. Industrial Dr.
 Elkhart Lake, WI 53020
 Phone: (920) 876-3391
 Fax: (920) 876-3065
 Website: www.kees.com

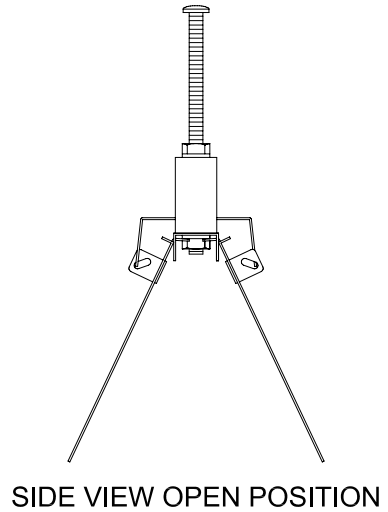
STAINLESS STEEL ROUND BUTTERFLY DAMPER

Model SSRBF

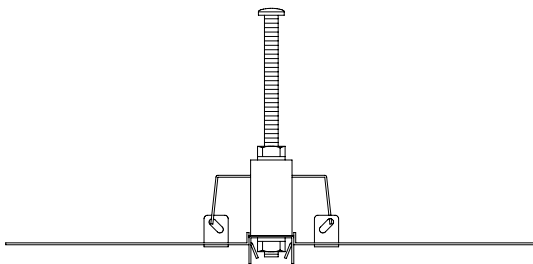
20 Ga. 304 (Standard) or 316 (Optional) Stainless - Mill Finish - Available to 36" Diameter



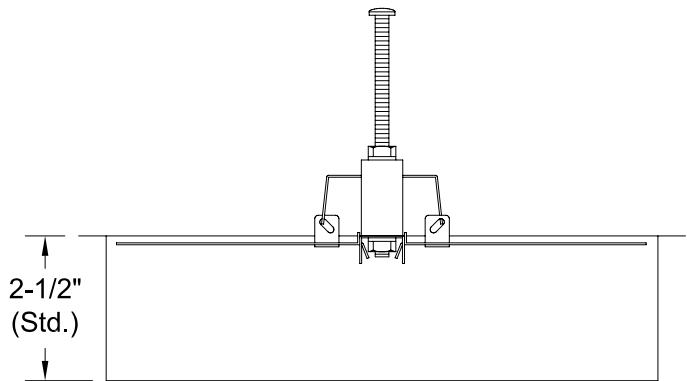
TOP VIEW CLOSED POSITION



SIDE VIEW OPEN POSITION




SIDE VIEW CLOSED POSITION



OPTIONAL ROUND COLLAR

Quantity	Listed Neck Size (Dia.)	Type S.S.		Optional Collar Length	Tag
		304	316		

To maintain KEES' policy of continuous product development, we reserve the right to change prices, specifications, ratings and dimensions without notice or obligation.

Project		Location		 KEES INCORPORATED 400 S. Industrial Dr. Elkhart Lake, WI 53020 Phone: (920) 876-3391 Fax: (920) 876-3065 Website: www.kees.com
Engineer		Dwg. No.	SD-SSRBF	
Architect		Date	04/10	
Contractor				