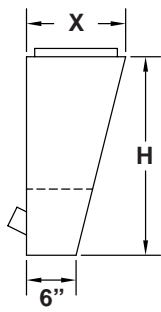
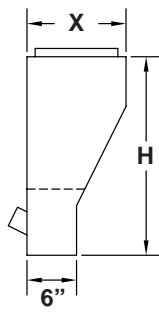


ENERGY SAVING RETRO-FIT KITS

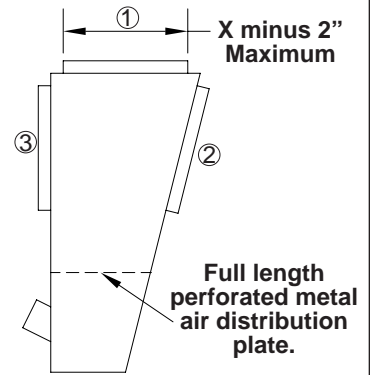
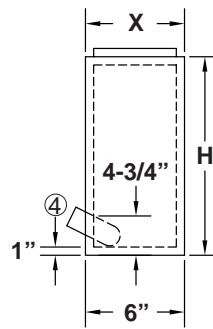
SHAPE A



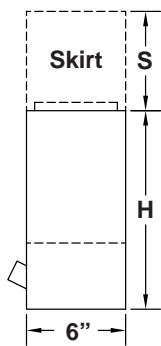
SHAPE B



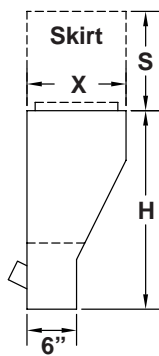
SHAPE G



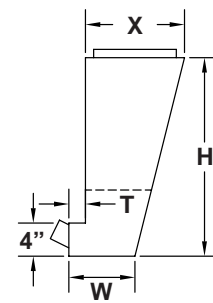
SHAPE D



SHAPE E



SHAPE F



**OPTIONAL AIR INLET LOCATIONS
ROUND OR RECTANGULAR
FIELD OR FACTORY CUT**

If factory-cut opening, advise location ① ② or ③ rectangular with 1 inch collar, or round with 2 inch collar, and provide dimensioned sketch of location. Square or rectangular factory supplied collars include fire damper.

OPTIONS:

- ④ Dimension of 1" can be made larger only.
- ⑤ Optional trim angle for hard ceiling available for all shapes.
- ⑥ Dimension of 4" is minimum.

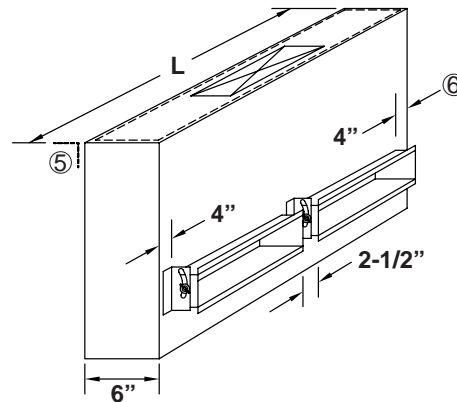
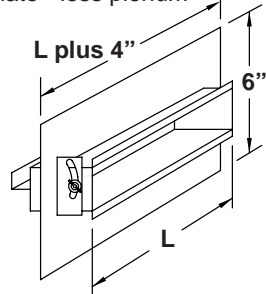
NOTES:

Advise if Shape "G" is to be located on outside___or inside___of existing hood.

1"-3 lb. density insulation board lining inside all models with sealed aluminum foil face.

SHAPE H

Nozzles on stainless face plate - less plenum



Qty.	Shape	Length L	Height H	X	S	Material of Construction	Paint Color

Factory Installed Collar	No. of Nozzles	Length of Nozzles	CFM Total	Options	T	W	Tag

To maintain KEES' policy of continuous product development, we reserve the right to change prices, specifications, ratings and dimensions without notice or obligation.

Project		Location	
Engineer		Dwg. No.	SD-RET
Architect		Date	05/08
Contractor			



KEES INCORPORATED
400 S. Industrial Dr.
Elkhart Lake, WI 53020
Phone: (920) 876-3391
Fax: (920) 876-3065
Website: www.kees.com