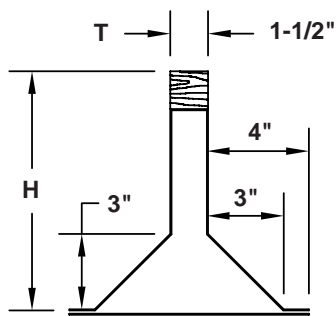
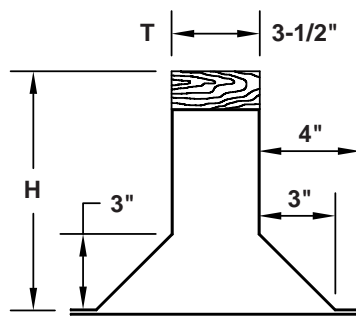


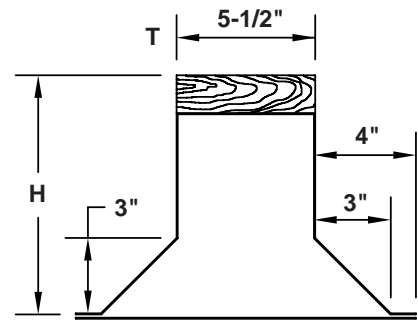
STRAIGHT RAIL EQUIPMENT SUPPORTS



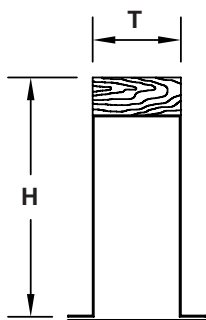
MODEL 15



MODEL 35



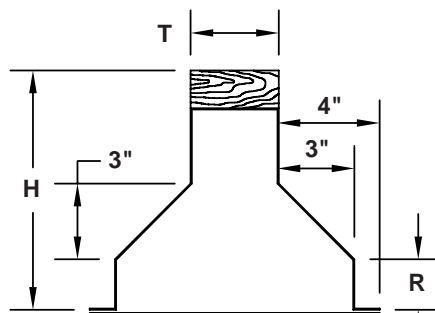
MODEL 55



MODEL SF

Self-Flashing
Models Available

In 1-1/2", 3-1/2" & 5-1/2"

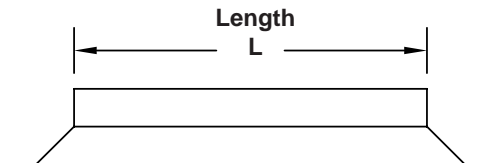
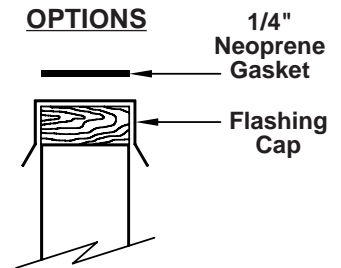


MODEL RC

Raised Cant Available
In All Styles

NOTE: Specify "R"
Measurement

OPTIONS




Material: 18 GA. Galvanized (Standard)
.063" Aluminum (Available Option)

QTY.	MODEL	T	H	L	R	WOOD NAILER	FLASHING CAP	NEOPRENE GASKET	GAUGE GALV.	TAG

SPECIAL:

To maintain KEES' policy of continuous product improvement, we reserve the right to change prices, specifications, ratings or dimensions without notice or obligation.

Project					Location					
Engineer						 KEES INCORPORATED 400 S. Industrial Dr. • P.O. Box L Elkhart Lake, WI 53020 Phone: (920) 876-3391 Fax: (920) 876-3065 Website: www.kees.com				
Architect			Dwg. No.	SD-RES						
Contractor			Date	08/07						