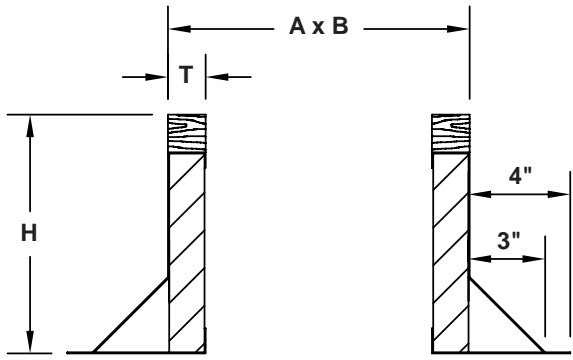
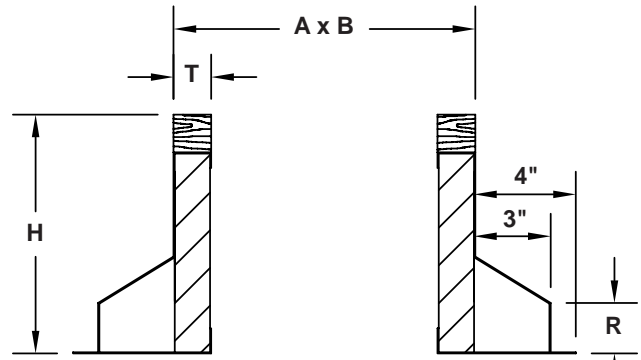


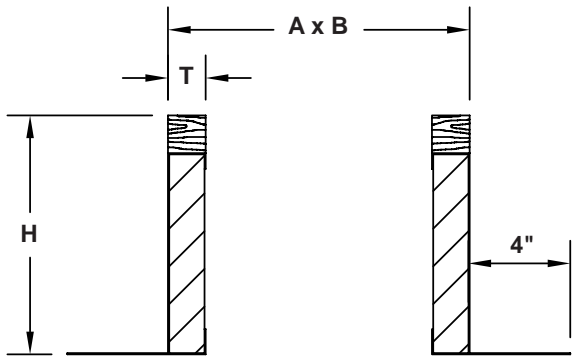
# ROOF CURBS



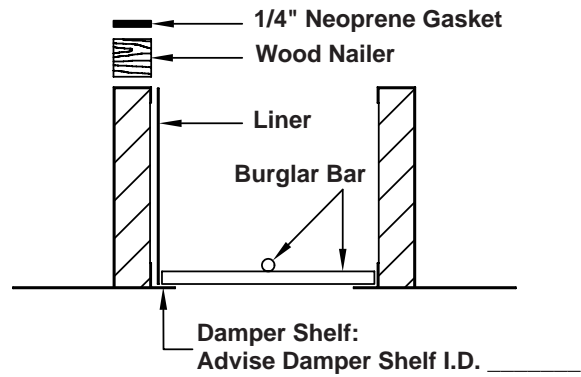
**MODEL 1**



**MODEL 2**

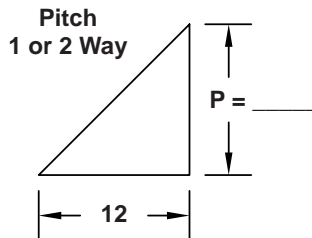


**MODEL 3**



**STANDARD CONSTRUCTION:**

Insulation: Fiberglass  
Material: 18 GA. Galvanized



**OPTION NUMBERS:**

- 8 - Wood Nailers - Treated
- 11 - .063" Aluminum Construction
- 12 - 1/4" Neoprene Gasket
- 13 - Inside Liner - 22 GA. Galv.
- 14 - Inside Liner - Aluminum
- 17 - One Way Pitch
- 18 - Two Way Pitch
- 19 - Burglar Bars 1/2" on 6" Centers
- 20 - Damper Shelf (Specify Opening Size)

Qty.	Model	A	B	T	H	R	Options	Tag

**SPECIAL MATERIAL:** GALV. \_\_\_\_\_ ALUM. \_\_\_\_\_

To maintain KEES' policy of continuous product development, we reserve the right to change prices, specifications, ratings and dimensions without notice or obligation.

<b>Project</b>				<b>Location</b>			
<b>Engineer</b>				<b>Dwg. No.</b>	<b>SD-RC</b>		
<b>Architect</b>				<b>Date</b>	<b>12/07</b>		
<b>Contractor</b>							



**KEES INCORPORATED**  
400 S. Industrial Dr.  
Elkhart Lake, WI 53020  
Phone: (920) 876-3391  
Fax: (920) 876-3065  
Website: www.kees.com