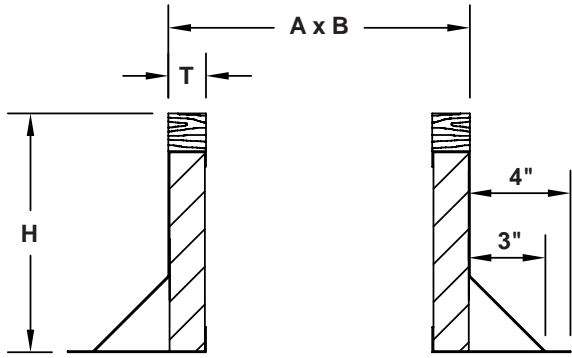
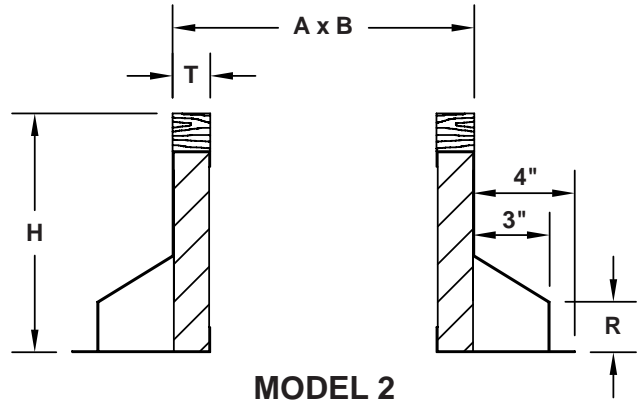


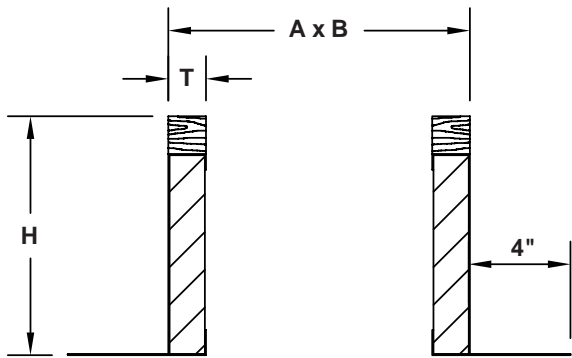
ROOF CURBS



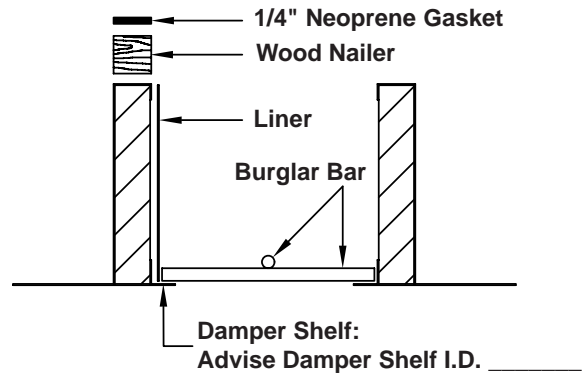
MODEL 1



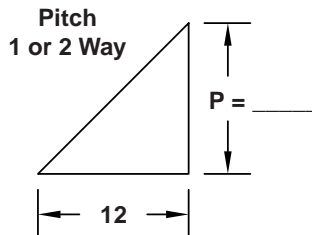
MODEL 2



MODEL 3



STANDARD CONSTRUCTION:
 Insulation: Fiberglass
 Material: 18 GA. Galvanized



OPTION NUMBERS:

- 7 - Wood Nailer - Treated
- 10 - .063" Aluminum Construction
- 11 - 1/4" Neoprene Gasket
- 12 - Inside Liner - 22 GA. Galv.
- 13 - Inside Liner - Aluminum
- 16 - One Way Pitch
- 17 - Two Way Pitch
- 18 - Burglar Bars 1/2" on 6" Centers
- 19 - Damper Shelf (Specify Opening Size)

QTY.	MODEL	A	B	T	H	R	OPTIONS	TAG

SPECIAL MATERIAL: GALV. _____ ALUM. _____

To maintain KEES' policy of continuous product improvement, we reserve the right to change prices, specifications, ratings or dimensions without notice or obligation.

Project				Location				
Engineer								
Architect				Dwg. No.	SD-RC			
Contractor				Date	08/07			



KEES INCORPORATED
 400 S. Industrial Dr. • P.O. Box L
 Elkhart Lake, WI 53020
 Phone: (920) 876-3391
 Fax: (920) 876-3065
 Website: www.kees.com