



# KEES, INC.

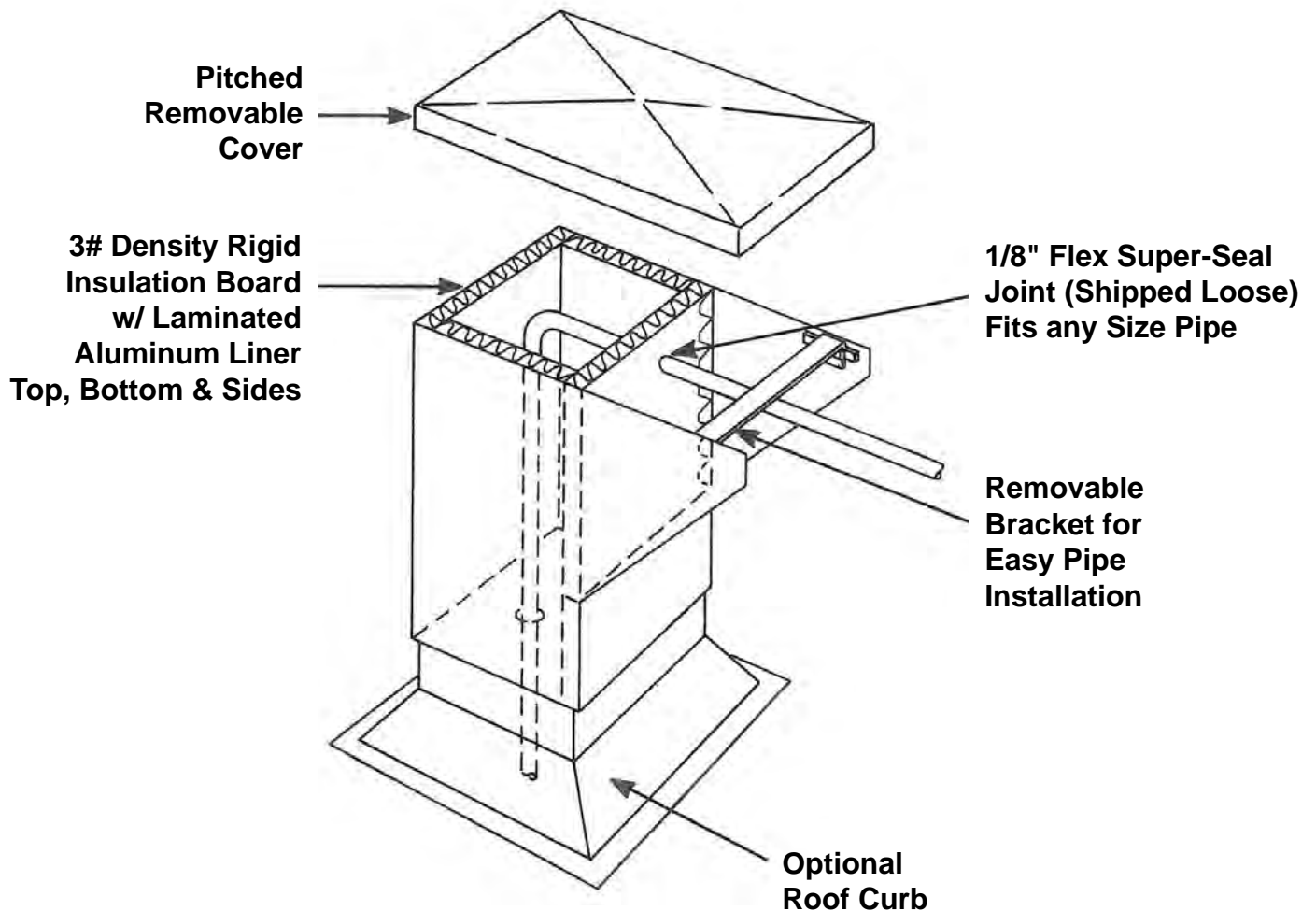
Products for Sheet Metal HVAC, Food Service & Architectural Construction Industries

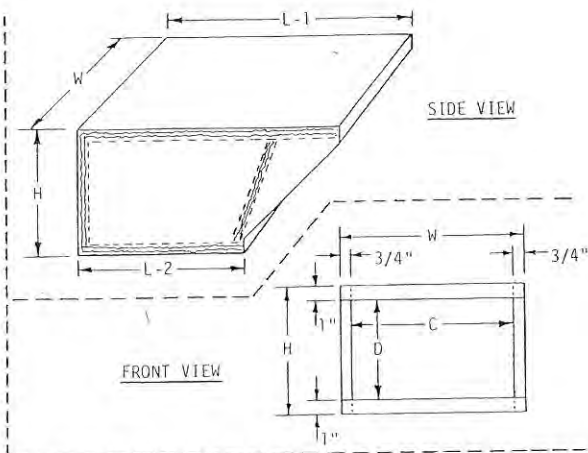
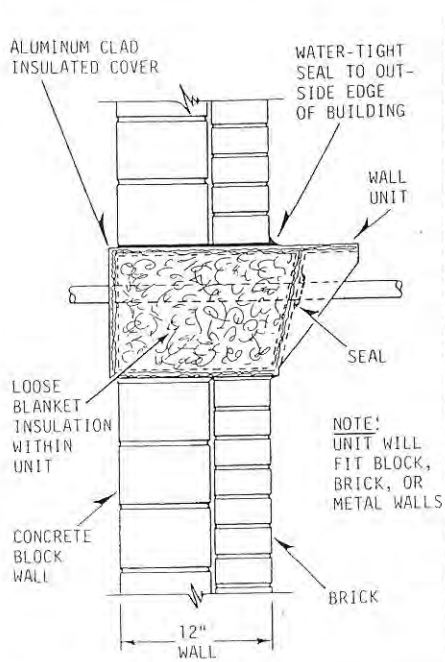
400 S. INDUSTRIAL DRIVE - P.O. BOX 327 - ELKHART LAKE, WISCONSIN 53020 - (920) 876-3391 - FAX (920) 876-3065

VISIT OUR WEBSITE @ [www.kees.com](http://www.kees.com)

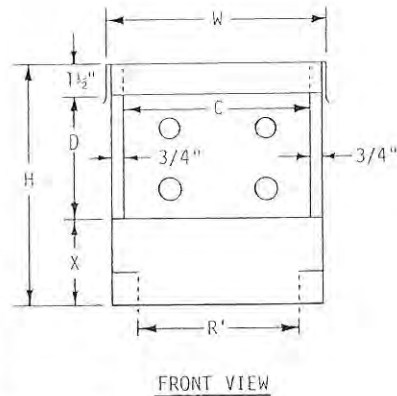
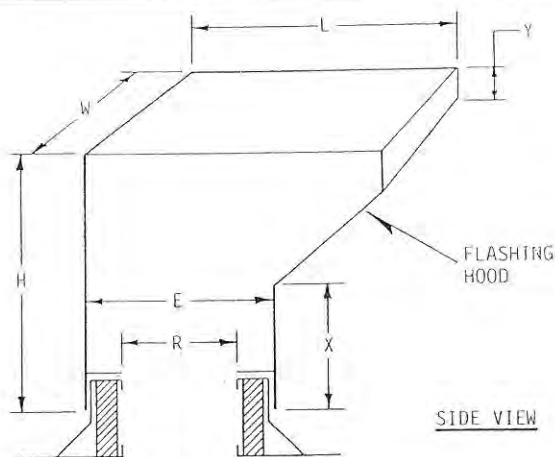
## *Piping Portals*

# *Roof Mounted Weatherproof Piping Penetration Enclosures*





SIDE WALL UNIT						
Model	C	D	H	W	L-1	L-2
PF-808-W	6½	6	8	8	18	12
PF-810-W	8½	6	8	10	18	12
PF-814-W	12½	6	8	14	18	12
PF-818-W	16½	6	8	18	18	12
PF-824-W	22½	6	8	24	18	12
PF-1212-W	10½	10	12	12	20	12
PF-1218-W	16½	10	12	18	20	12
PF-1224-W	22½	10	12	24	20	12



Standard Sizes	Model # Dimensions								
	C	D	E	R X R'	H	W	L	Y	X
PF-606-S	7.5"	11.5"	9" x 9"	6" x 6"	16"	9"	16"	2"	3"
PF-808-S	9.5"	11.5"	11" x 11"	8" x 8"	16"	11"	19"	2"	3"
PF-1010-S	11.5"	11.5"	13" x 13"	10" x 10"	16"	13"	19"	2"	3"
PF-1212-S	13.5"	13.5"	15" x 15"	12" x 12"	18"	15"	24"	2"	4"
PF-1616-S	17.5"	19.5"	19" x 19"	16" x 16"	24"	19"	31"	2"	5"
PF-1818-S	17.5"	23.5"	21" x 21"	18" x 18"	28"	21"	36"	2"	6"
PF-612-S	13.5"	11.5"	9" x 15"	6" x 12"	16"	15"	16"	2"	3"
PF-814-S	15.5"	11.5"	13" x 17"	8" x 14"	16"	17"	19"	2"	3"
PF-816-S	17.5"	11.5"	13" x 19"	8" x 16"	16"	19"	19"	2"	3"
PF-1020-S	21.5"	11.5"	13" x 23"	10" x 20"	16"	23"	19"	2"	3"
PF-1224-S	25.5"	13.5"	15" x 27"	12" x 24"	19"	27"	24"	2"	4"
PF-1824-S	25.5"	19.5"	21" x 27"	18" x 24"	27"	27"	43"	2"	6"
PF-2424-S	25.5"	25.5"	27" x 27"	24" x 24"	33"	27"	43"	2"	6"
PF-2436-S	37.5"	25.5"	27" x 39"	24" x 36"	33"	39"	43"	2"	6"
PF-2448-S	49.5"	25.5"	27" x 51"	24" x 48"	33"	51"	43"	2"	6"

NOTE!  
SPECIFICATIONS AND DESIGN ARE SUBJECT TO CHANGE WITHOUT NOTICE

Project				Location		
Engineer				Dwg. No.		
Architect					Date	08/17/07
Contractor						



KEES INCORPORATED  
400 S. Industrial Dr.  
Elkhart Lake, WI 53020  
Phone: (920) 876-3391  
Fax: (920) 876-3065  
Website: www.kees.com