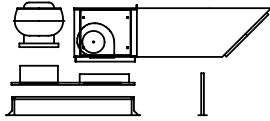
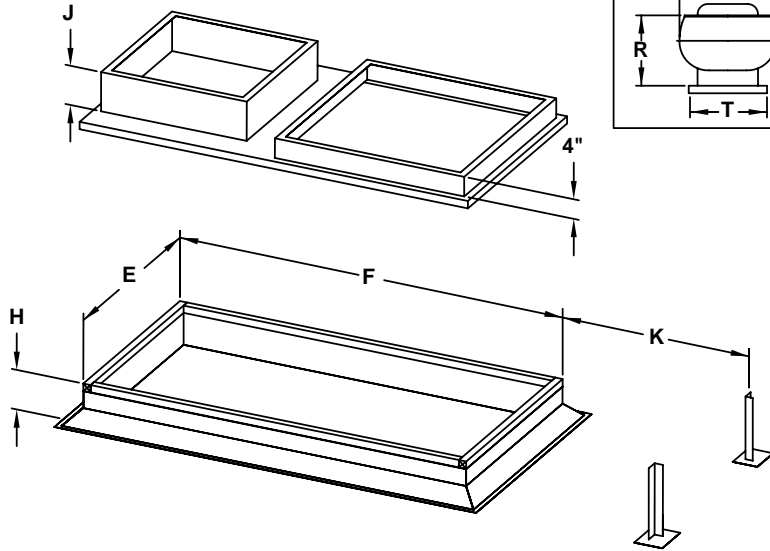
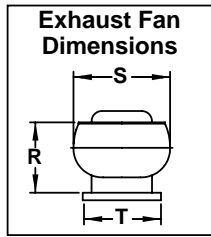


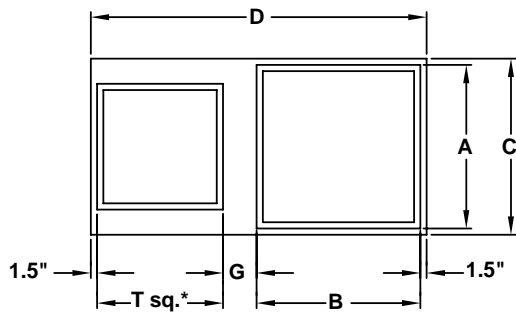
# MODEL NTS ROOF CURBS



## Modular Roof Curb and Support Legs Arrangement A1



### Plan View of Curb Cap

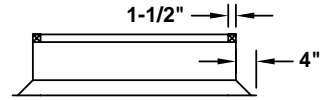


\* See Note 4

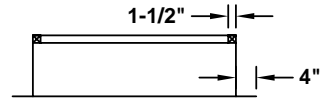
$C = A+3"$  or  $T+3"$  (largest)  
 $D = B+G+T+3"$   
 $E = C-1"$   
 $F = D-1"$   
 $G = \left(\frac{S-T}{2}\right)+3"$   
 $J = 40"-H-R$  (4" min.)

## Select One Roof Curb Model

Model #1



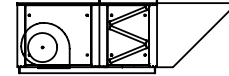
Model #3



## Select One Housing Arrangement

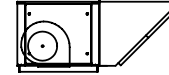
### Blower + Filter + Intake

H1



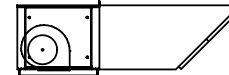
### Blower + Intake with Filters

H2

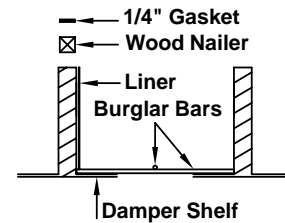
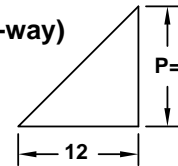


### Blower + Extended Intake

H4



## Pitch - (1 or 2-way)



### OPTIONS:

-07 Wood Nailer - Treated	-16 One Way Pitch
-10 Aluminum Construction	-17 Two Way Pitch
-11 1/4" Neoprene Gasket	-18 Burglar Bars
-12 Inner Liner	-19 Damper Shelf

### NOTES:

- Standard construction - 18 gauge galvanized with fiberglass insulation.
- See reverse side for Curb Arrangements A2, A3 & A4.
- Support legs are not required with Housing Arrangement H2.
- Dimension T is the actual exhaust fan curb cap I.D.. KEES will undersize by 1/2".
- To meet NFPA 96 requirements the SF intake and EF discharge must have a 10 foot separation (i.e. supply fan overall length plus dimension G ≥ 120').

Qty.	Fan Size (NTS)	A	B	C	D	E	F	G	H	J	K	Exhaust Fan Make & Model or R, S and T	Options	Tag
	-109/110	31.50	31.50								48.00			
	-112/115	39.50	39.50								48.00			
	-118/120	51.00	55.75								48.00			
	-218/220	99.50	55.75								48.00			

To maintain KEES' policy of continuous product improvement, we reserve the right to change prices, specifications, ratings or dimensions without notice or obligation.

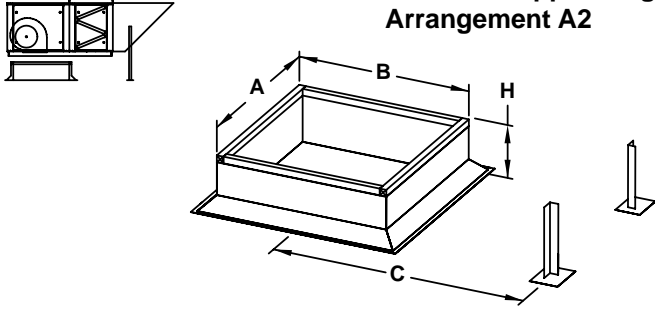
<b>Project</b>		<b>Location</b>	
<b>Engineer</b>		<b>Dwg. No.</b>	
<b>Architect</b>		<b>SD-NTS-CURB</b>	
<b>Contractor</b>		<b>Date</b>	
		<b>06/03</b>	



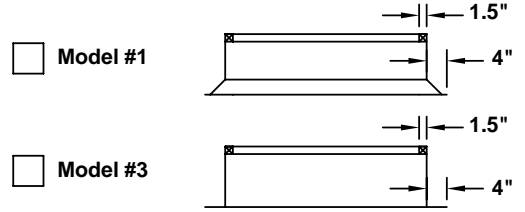
**KEES INCORPORATED**  
 400 S. Industrial Dr. • P.O. Box L  
 Elkhart Lake, WI 53020  
 Phone: (920) 876-3391  
 Fax: (920) 876-3065  
 Website: www.kees.com

# MODEL NTS ROOF CURBS

**Roof Curb and Support Legs Arrangement A2**

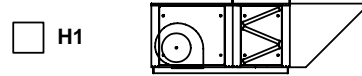


**Select One Roof Curb Model**



**Select One Housing Arrangement**

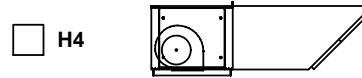
**Blower + Filter + Intake**



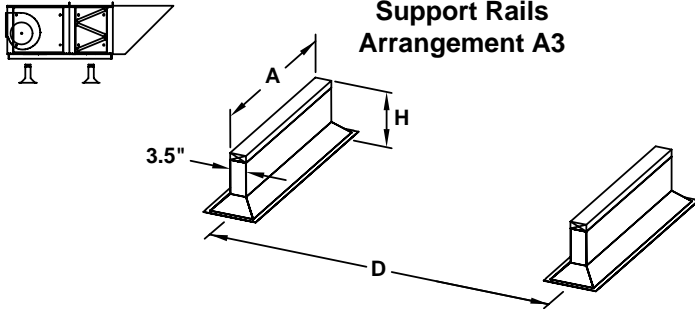
**Blower + Intake with Filters**



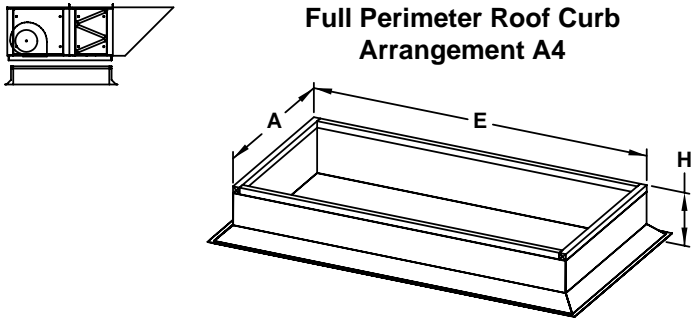
**Blower + Extended Intake**



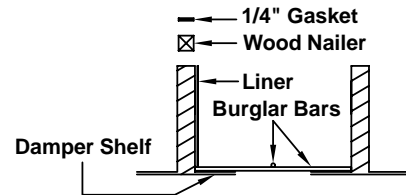
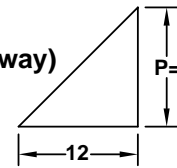
**Support Rails Arrangement A3**



**Full Perimeter Roof Curb Arrangement A4**



**Pitch - (1 or 2-way)**



**OPTIONS:**

- 07 Wood Nailer - Treated
- 10 Aluminum Construction
- 11 1/4" Neoprene Gasket
- 12 Inner Liner
- 16 One Way Pitch
- 17 Two Way Pitch
- 18 Burglar Bars
- 19 Damper Shelf

**NOTES:**

1. Standard construction - 18 gauge galvanized with fiberglass insulation.
2. See reverse side for Curb Arrangement A1.
3. Curb Arrangement A2 - support legs not required with Housing Arrangement H2.
4. Curb Arrangement A3 and A4 - only available with Housing Arrangement H1.

Qty.	Fan Size (NTS)	Housing	Curb Arrangement A2				Curb Arrangement A3			Curb Arrangement A4			Options	Tag
			A	B	C	H	A	D	H	A	E	H		
	-109/110	#1	31.00	31.00	63.50		31.00	36.00		31.00	59.00			
	-112/115	#2	39.00	39.00	68.50		39.00	42.00		39.00	67.75			
	-118/120	#3	50.50	55.25	76.00		50.50	52.00		50.50	83.50			
	-218/220	#4	99.00	55.25	76.00		99.00	52.00		99.00	83.50			

To maintain KEES' policy of continuous product improvement, we reserve the right to change prices, specifications, ratings or dimensions without notice or obligation.

<b>Project</b>				<b>Location</b>			
<b>Engineer</b>							<p><b>KEES INCORPORATED</b>                  400 S. Industrial Dr. • P.O. Box L                  Elkhart Lake, WI 53020                  Phone: (920) 876-3391                  Fax: (920) 876-3065                  Website: www.kees.com</p>
<b>Architect</b>			<b>Dwg. No.</b>	<b>SD-NTS-CURB</b>			
<b>Contractor</b>			<b>Date</b>	<b>06/03</b>			