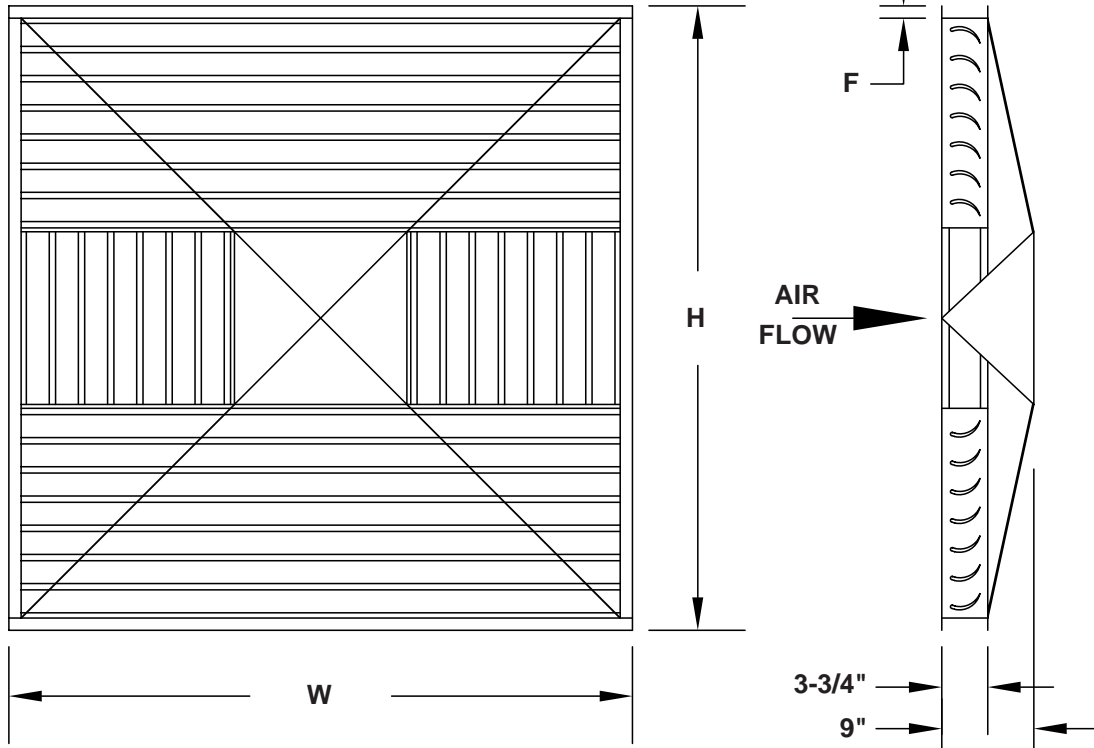


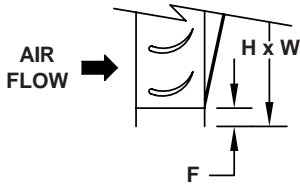


AIR MIX^XER

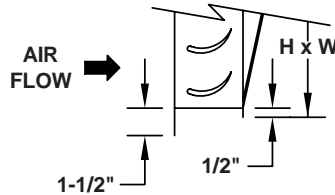
Patent #5,364,305



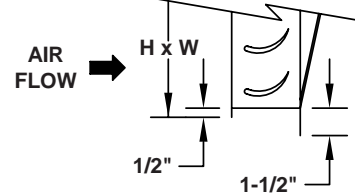
STANDARD MOUNTING
Channel Frame



MOUNTING OPTION A
Frame On Air Entering Side



MOUNTING OPTION B
Frame On Air Leaving Side



QTY.	SIZE		CONSTRUCTION			MOUNTING OPTION	C.F.M.	PRESSURE DROP IN. WATER	TAG
	WIDTH "W"	HEIGHT "H"	MATERIAL	GAUGE	FINISH				

- Units are made 1/4" undersized in each outside dimension.
- Units 12 x 12 thru 96 x 96 and rectangular sizes thru 144 x 96 can be shipped in one piece.

F = 1/2 in. on lengths up to and including 36 in.
 F = 3/4 in. on lengths more than 36 in. up to 60 in.
 F = 1 in. on lengths 60 in. and over

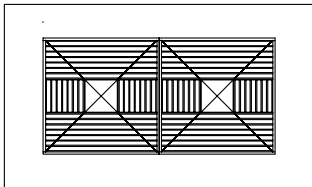
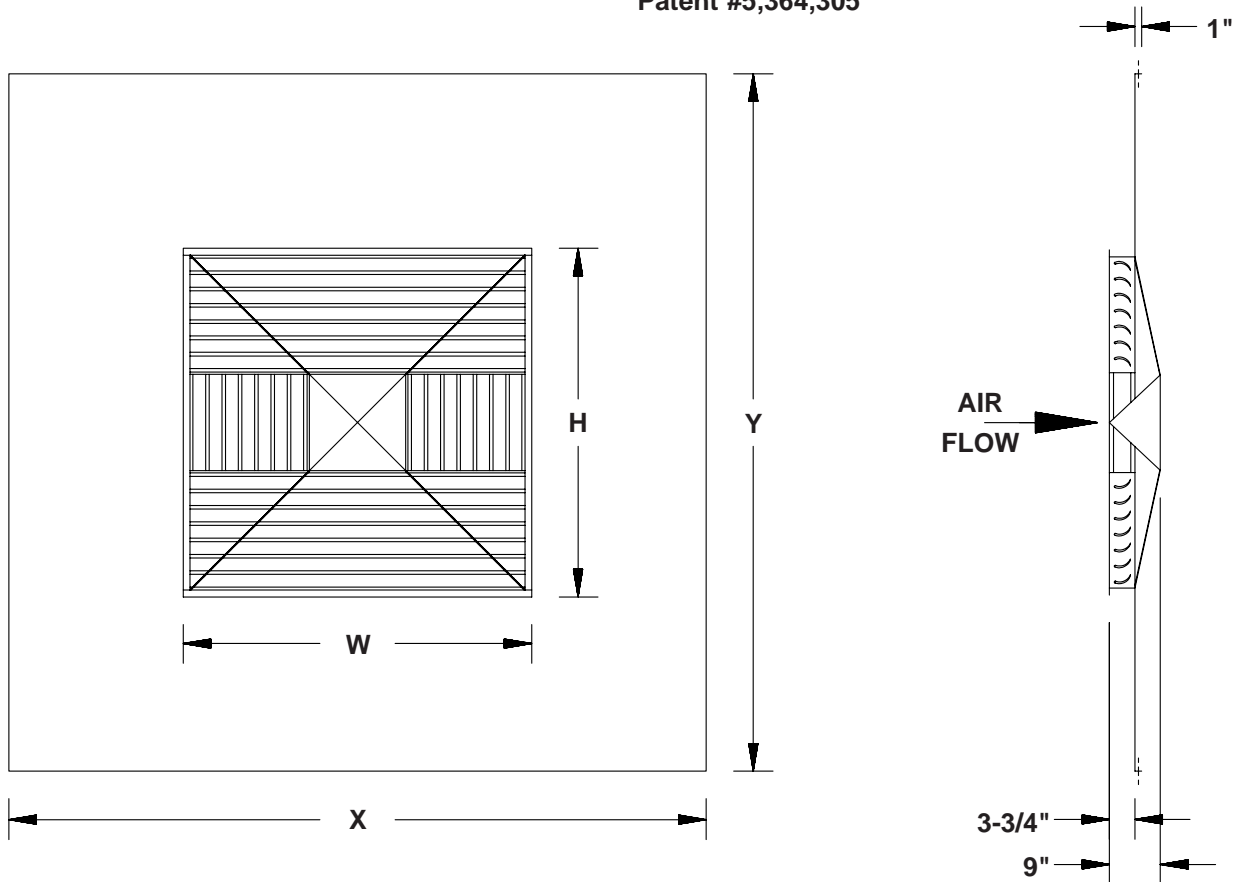
To maintain KEES' policy of continuous product improvement, we reserve the right to change prices, specifications, ratings or dimensions without notice or obligation.

Project				Location		
Engineer					KEES INCORPORATED 400 S. Industrial Dr. • P.O. Box L Elkhart Lake, WI 53020 Phone: (920) 876-3391 Fax: (920) 876-3065 Website: www.kees.com	
Architect			Dwg. No.			
Contractor			Date	9-98		

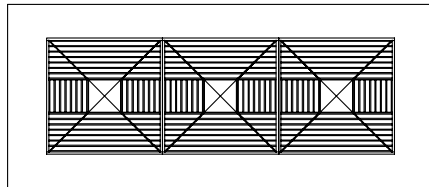


PM-AIR MIX^xER IN PANEL

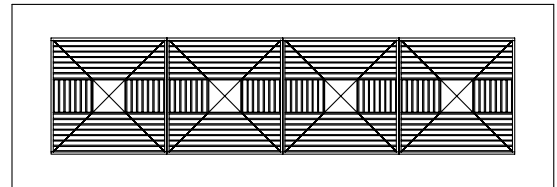
Patent #5,364,305



TWO MIX^xERS IN PANEL



THREE MIX^xERS IN PANEL



FOUR MIX^xERS IN PANEL

QTY.	PANEL OVERALL SIZE		NUMBER OF MIX ^x ERS	MIX ^x ER SIZE		CONSTRUCTION MATERIAL		C.F.M.	PRESSURE DROP IN. WATER	TAG
	WIDTH "X"	HEIGHT "Y"		WIDTH "W"	HEIGHT "H"	MIX ^x ER	PANEL			

1. Panel is made 1/4" undersized in each outside dimension.
2. Panels thru 48 in. largest dimension shipped assembled. Larger units shipped knocked down unless requested to be factory assembled.
3. Standard finishes: Mill for aluminum mixer or panel. Prime coat for steel mixer. Galvanized panel unpainted.

To maintain KEES' policy of continuous product improvement, we reserve the right to change prices, specifications, ratings or dimensions without notice or obligation.

Project		Location		<p>KEES INCORPORATED 400 S. Industrial Dr. • P.O. Box L Elkhart Lake, WI 53020 Phone: (920) 876-3391 Fax: (920) 876-3065 Website: www.kees.com</p>
Engineer		Dwg. No.	SD-MXP	
Architect		Date	9-98	
Contractor				