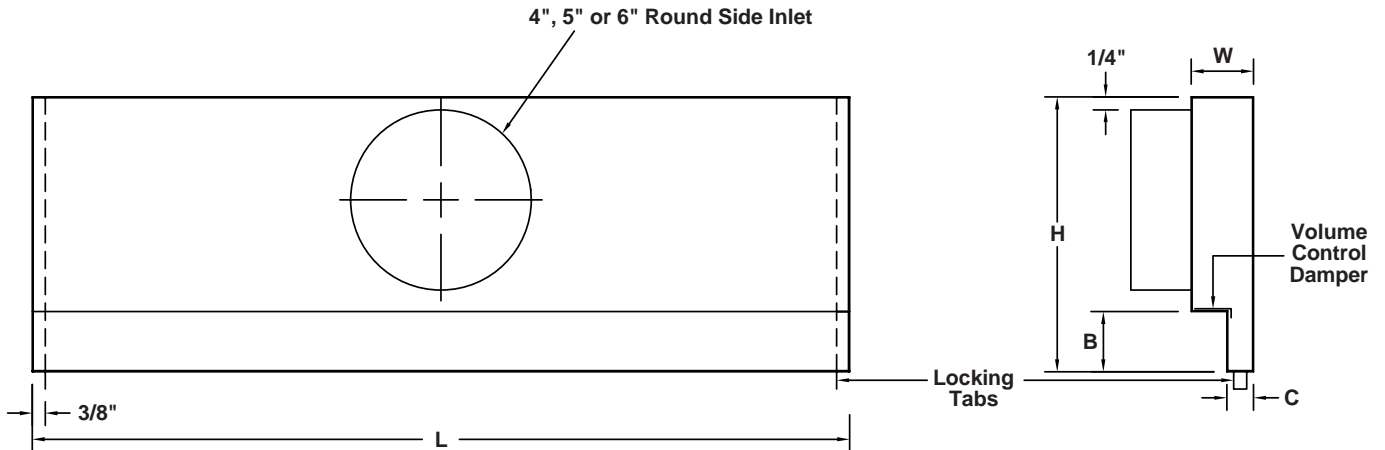


SINGLE SIDED LIGHT TROFFER DIFFUSER

MODEL AS – NON-INSULATED
 MODEL ASI – INTERNALLY INSULATED
 MODEL ASE – EXTERNALLY INSULATED



| | |
|---|----------|
| H | 8" |
| W | 1-13/16" |
| B | 1-3/4" |
| C | 7/8" |
| L | * |

* Varies with Light Fixture

STANDARD CONSTRUCTION:

- 24 Ga. Zinc Coated Steel
- Volume Damper - Adjustable Through Face
- Locking Tabs To Hold Diffuser To Fixture

OPTIONS:


- 1/4" Internal Insulation
- 1/2" External Foil-Faced Insulation

Light Fixture Manufacturer _____

Light Fixture Model Number _____

| Qty. | Model | Nominal Light Fixture Length | Inlet Size | Insulation | Options | Tag |
|------|-------|------------------------------|------------|------------|---------|-----|
| | | | | | | |
| | | | | | | |
| | | | | | | |

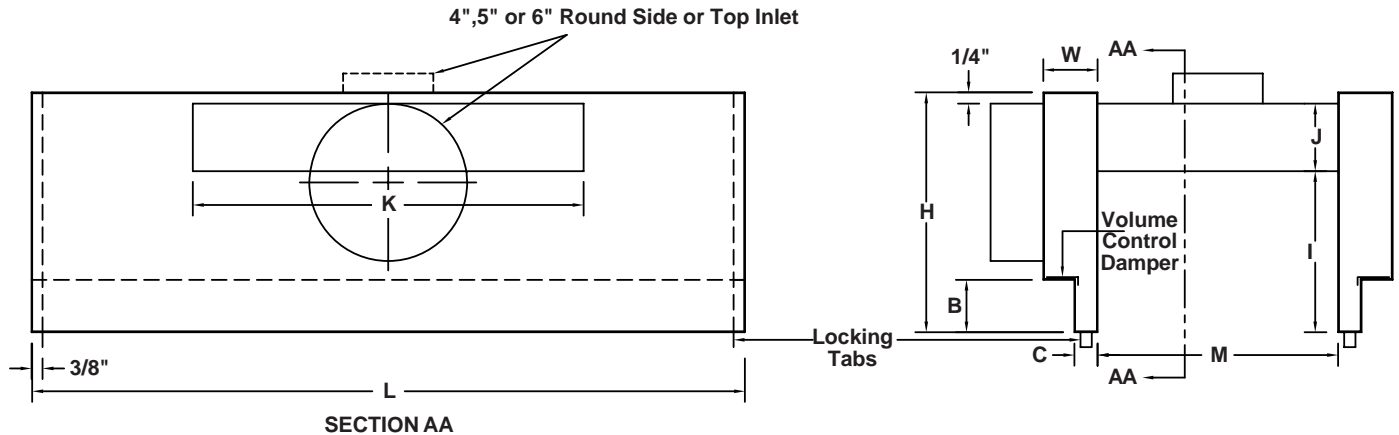
To maintain KEES' policy of continuous product improvement, we reserve the right to change prices, specifications, ratings or dimensions without notice or obligation.

| | | | | |
|-------------------|--|-----------------|---------------|--|
| Project | | Location | |  KEES INCORPORATED 400 S. Industrial Dr. Elkhart Lake, WI 53020 Phone: (920) 876-3391 Fax: (920) 876-3065 Website: www.kees.com |
| Engineer | | Dwg. No. | SD-LTS | |
| Architect | | Date | 07/07 | |
| Contractor | | | | |

DOUBLE SIDED LIGHT TROFFER DIFFUSER

MODEL ADT
 MODEL ADTI
 MODEL ADTE
 MODEL ADS
 MODEL ADSI
 MODEL ADSE

NON-INSULATED WITH TOP INLET
 INTERNALLY INSULATED WITH TOP INLET
 EXTERNALLY INSULATED WITH TOP INLET
 NON-INSULATED WITH SIDE INLET
 INTERNALLY INSULATED WITH SIDE INLET
 EXTERNALLY INSULATED WITH SIDE INLET



STANDARD CONSTRUCTION:

- 24 Ga. Zinc Coated Steel
- Volume Damper - Adjustable Through Face
- Locking Tabs To Hold Diffuser To Fixture
- Ship Knocked Down For Field Assembly (2 Sides And Crossover Duct)

OPTIONS:

- 1/4" Internal Insulation
- 1/2" External Foil-Faced Insulation

| | | |
|---|----------|----------|
| H | 8" ** | 10" ** |
| B | 1-3/4" | 1-3/4" |
| C | 7/8" | 7/8" |
| W | 1-13/16" | 1-13/16" |
| I | 5-3/16" | 7-3/16" |
| J | 2-1/4" | 2-1/4" |
| K | 13" | 13" |
| L | * | * |
| M | * | * |

* Varies with Light Fixture
 ** Height Determined by Light Fixture

Light Fixture Manufacturer _____

Light Fixture Model Number _____

| Qty. | Model | Nominal Light Fixture Length | Nominal Light Fixture Width | Inlet Size | Top or Side Inlet | Height | Insulation | Options | Tag |
|------|-------|------------------------------|-----------------------------|------------|-------------------|--------|------------|---------|-----|
| | | | | | | | | | |
| | | | | | | | | | |
| | | | | | | | | | |

To maintain KEES' policy of continuous product improvement, we reserve the right to change prices, specifications, ratings or dimensions without notice or obligation.

| | | | |
|-------------------|--|-----------------|---------------|
| Project | | Location | |
| Engineer | | | |
| Architect | | Dwg. No. | SD-LTD |
| Contractor | | Date | 07/07 |

KEES INCORPORATED
 400 S. Industrial Dr.
 Elkhart Lake, WI 53020
 Phone: (920) 876-3391
 Fax: (920) 876-3065
 Website: www.kees.com