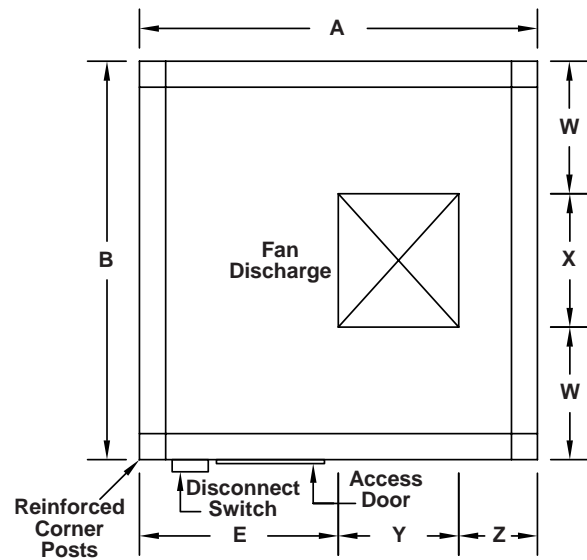
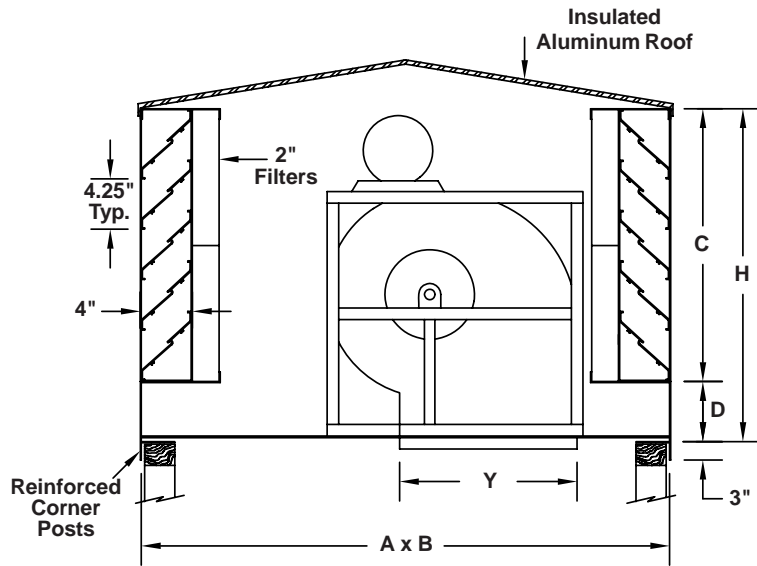


# MODEL LEKS - Louvered Penthouse Roof Supply Unit Filtered



Model Number	Unit Dimensions (Inches)										Filters - 2 In.	Roof Curb O.D.	Wheels		Outlet Area	Wgt.
	A	B	C	D	E	H	W	X	Y	Z			Dia.	Width		
LEKS-22	72	72	31.56	18	32.75	49.56	22.38	27.25	27.25	12	(12) 20 x 25	71 x 71	22.38	22	5.16	1127
LEKS-25	77	77	35.81	18	33.75	53.81	22.88	31.25	31.25	12	(16) 16 x 20 (8) 16 x 25	76 x 76	25.00	25	6.78	1322
LEKS-27	82	82	35.81	18	35.75	53.81	23.88	34.25	34.25	12	(8) 16 x 20 (16) 16 x 25	81 x 81	27.62	27.50	8.15	1514
LEKS-30	87	87	40.06	18	38.25	58.06	25.13	36.75	36.75	12	(12) 16 x 25 (12) 20 x 25	86 x 86	30.25	30	9.38	1830
LEKS-33	92	102	44.31	18	37.00	62.31	31.13	39.75	43.00	12	(24) 20 x 20 (8) 20 x 25	91 x 101	33.00	33	11.87	2005
LEKS-36	92	112	48.56	18	37.00	66.56	34.50	43.00	43.00	12	(18) 20 x 20 (18) 20 x 25	91 x 111	36.00	36	12.84	2112


											Motor Information				
Qty.	Model	CFM	SP	BHP	RPM	HP	Volts	Phase	Enclosure	Tag					

Standard unit includes four inch deep extruded aluminum mill finish louvers (Model L storm-proof). Housing consists of pitched insulated aluminum roof, galvanized base and two inch aluminum mesh filters. Forward curved, DWDI blower, disconnect switch, and ODP motor with adjustable V-belt drive mounted on rubber isolators. Access panel provided for access to the filters, blower and motor. Optional louver finishes include 204R1 clear anodized, Duranodic 312E medium bronze anodized or custom painted finish.

**Options**

- Unit Finish: Mill  204R1  312E  or Painted  (Paint Color \_\_\_\_\_)
- Aluminum Housing
- Motorized Damper Size \_\_\_\_\_ Voltage \_\_\_\_\_ (Damper and actuator are shipped loose for field mounting.)
- Alternate Filters: \_\_\_\_\_
- Other Modifications: \_\_\_\_\_

To maintain KEES' policy of continuous product improvement, we reserve the right to change prices, specifications, ratings or dimensions without notice or obligation.

<b>Project</b>		<b>Location</b>		
<b>Engineer</b>		 <b>KEES INCORPORATED</b> 400 S. Industrial Dr. • P.O. Box L Elkhart Lake, WI 53020 Phone: (920) 876-3391 Fax: (920) 876-3065 Website: www.kees.com		
<b>Architect</b>			<b>Dwg. No.</b>	<b>SD-LEKS</b>
<b>Contractor</b>			<b>Date</b>	<b>08/06</b>