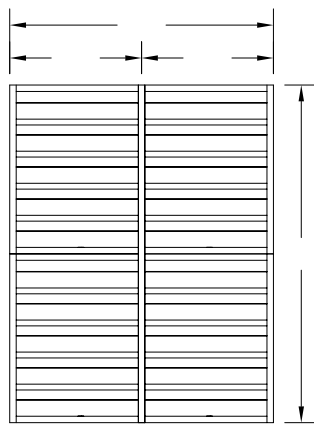
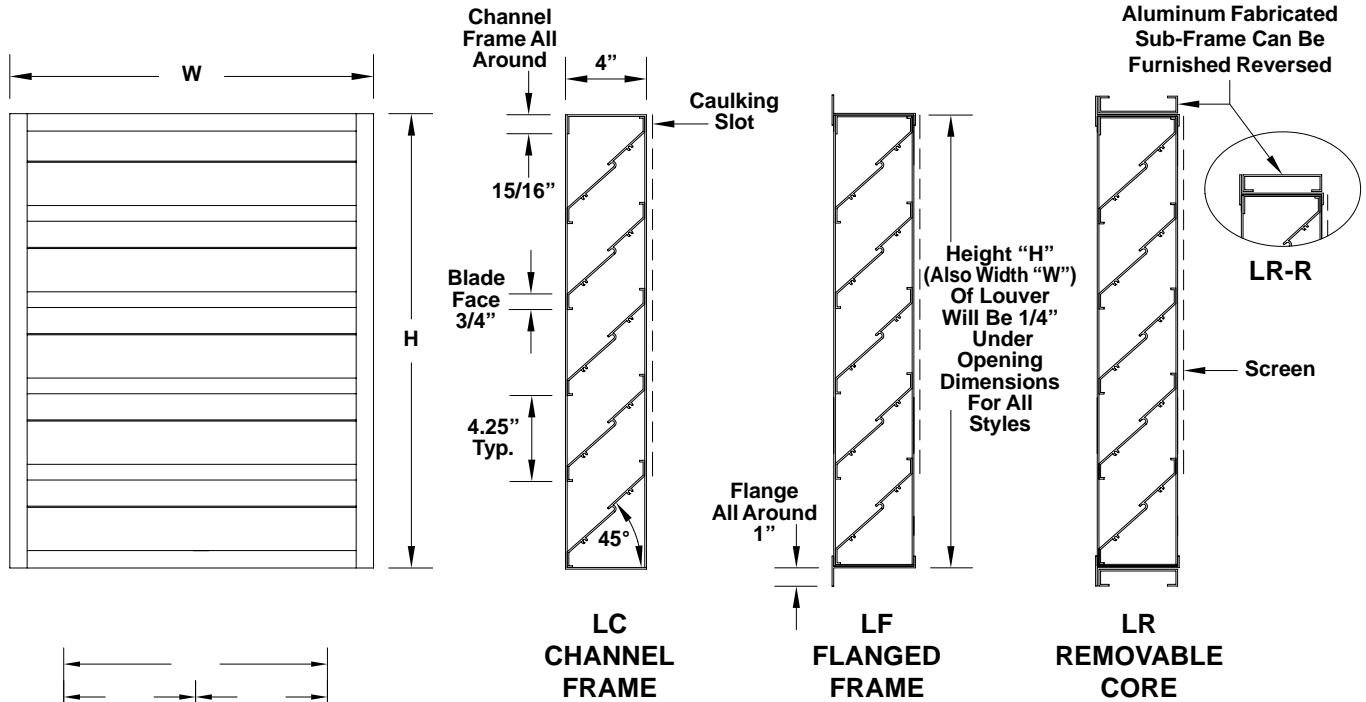




EXTRUDED ALUMINUM LOUVERS - MODEL L

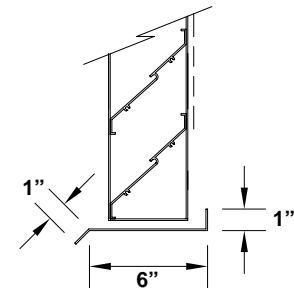
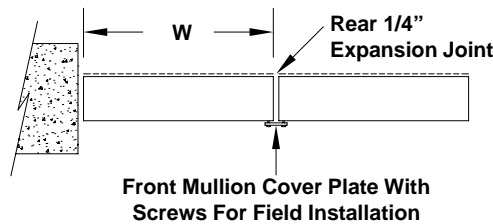
4" Fixed 45 Degree Storm Proof Blade

(See Reverse Side For DL Louver)



MULTIPLE PANELS

TYPICAL HORIZONTAL SECTION FOR MULTIPLE PANELS



ALUMINUM FABRICATED EXTENDED SILL

STANDARD CONSTRUCTION .081" THICK 6063-T5 FRAMES AND BLADES
.051" x 3/4" ALUMINUM DIAMOND MESH SCREEN ON REAR

Quantity	Model	Size		Finish	C.F.M.	P.D.	Multiple Panels		Tag
		W	H				#W	#H	

Special:

To maintain KEES' policy of continuous product improvement, we reserve the right to change prices, specifications, ratings or dimensions without notice or obligation.

Project				Location					
Engineer					<p>KEES INCORPORATED 400 S. Industrial Dr. • P.O. Box L Elkhart Lake, WI 53020 Phone: (920) 876-3391 Fax: (920) 876-3065 Website: www.kees.com</p>				
Architect			Dwg. No.	SD-L					
Contractor			Date	03/98					