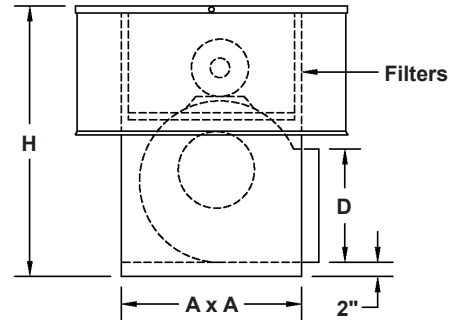
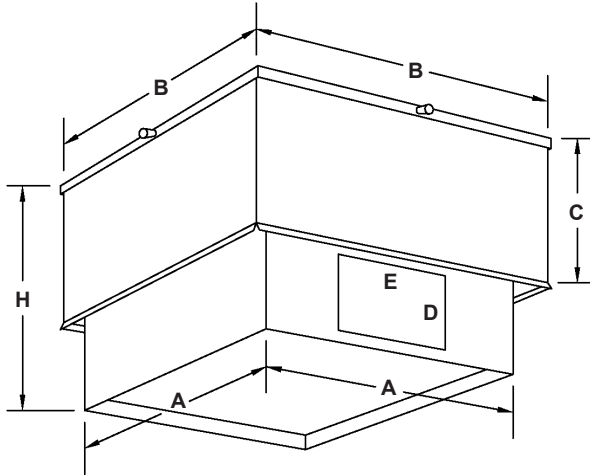


MODEL KS-SD - Side Discharge Units



Model Number	Unit Dimensions (Inches)						Filters - 1 In.	Roof Curb O.D.	Wheels			Wgt.
	A	B	C	D	E	H			Dia.	Width	Outlet Area	
KS-10-SD	26	36	16	11.50	13.00	30.50	(4) 16 x 20	25 x 25	10-5/8	10-5/8	1.015	150
KS-12-SD	32	42	20	13.50	16.00	41.00	(4) 20 x 25	31 x 31	12-5/8	12-5/8	1.440	220
KS-15-SD	32	42	20	16.00	19.00	41.00	(4) 20 x 25	31 x 31	15	15	2.010	220
KS-18-SD	36	46	22	19.00	22.00	45.00	(4) 20 x 28	35 x 35	18-1/8	18	2.870	310
KS-20-SD	46	60	24	24.75	22.75	48.00	(8) 20 x 20	45 x 45	20	18	3.880	540

Material: 18 gauge galvanized


Qty.	Model	CFM	SP	BHP	RPM	Motor Information				Tag
						HP	Volts	Phase	Enclosure	

Standard unit includes open drip NEMA frame ball bearing motor with adjustable V-drive mounted on rubber isolation; double width forward curved blower, and 1 inch washable aluminum filters. (All other type filters available.) Insulated hood is retained with quick release cover latches.

Options

- Aluminum Housing
- Painted Housing
- Paint Specifications:
- Alternate Filters: _____
- Other Modifications: _____
- Hinged Cover
- Motorized Damper Size _____ Voltage _____
- Locking Hasp
- Disconnect Switch
- (Damper and actuator are shipped loose for field mounting.)

To maintain KEES' policy of continuous product development, we reserve the right to change prices, specifications, ratings and dimensions without notice or obligation.

Project		Location	
Engineer		Dwg. No.	SD-KS-SD
Architect		Date	08/06
Contractor		 KEES INCORPORATED 400 S. Industrial Dr. Elkhart Lake, WI 53020 Phone: (920) 876-3391 Fax: (920) 876-3065 Website: www.kees.com	