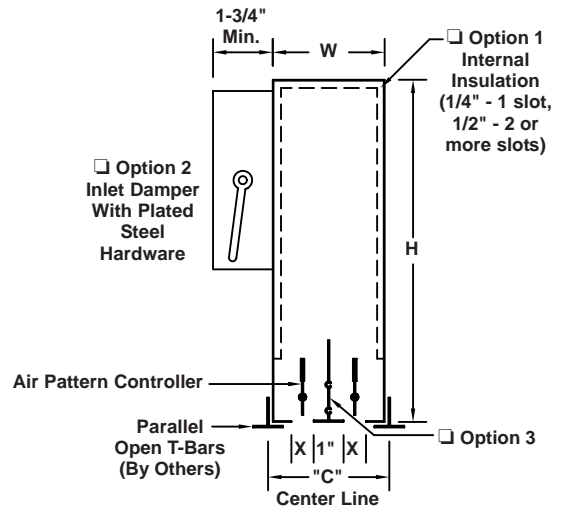
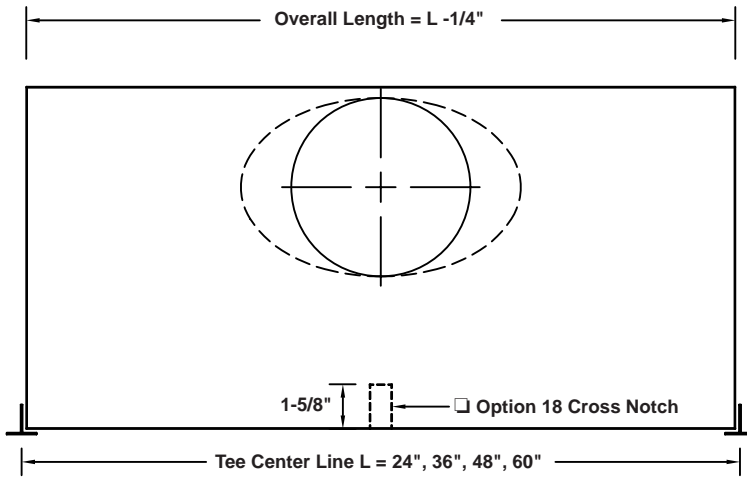
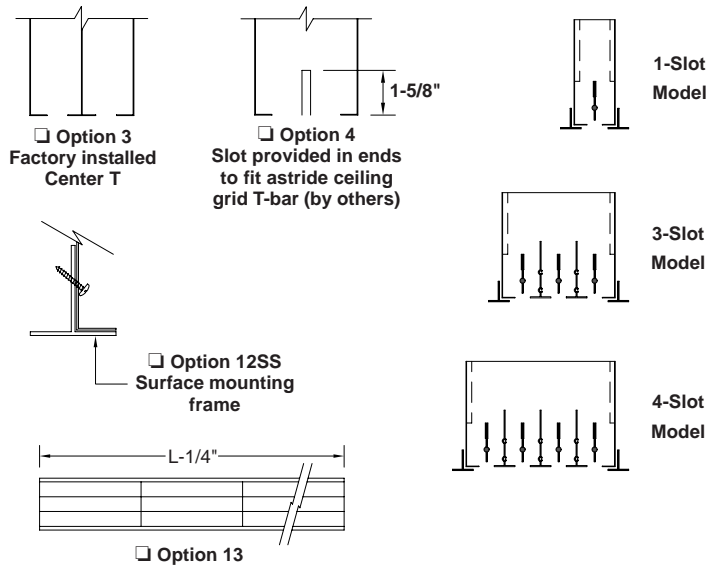


MODEL "K" DIFFUSER WITH ADJUSTABLE BLADE 2-Slot Model



| MODEL | SLOT WIDTH X | W | C | H |
|---------|--------------|---------|---------|---------|
| K-75-1 | 3/4" | 1-7/8" | 2-1/8" | 11-5/8" |
| K-100-1 | 1" | 2-1/8" | 2-3/8" | |
| K-150-1 | 1-1/2" | 2-5/8" | 2-7/8" | |
| K-75-2 | 3/4" | 3-5/8" | 3-7/8" | |
| K-100-2 | 1" | 4-1/8" | 4-3/8" | |
| K-150-2 | 1-1/2" | 5-1/8" | 5-3/8" | |
| K-75-3 | 3/4" | 5-3/8" | 5-5/8" | |
| K-100-3 | 1" | 6-1/8" | 6-3/8" | |
| K-150-3 | 1-1/2" | 7-5/8" | 7-7/8" | |
| K-75-4 | 3/4" | 7-1/8" | 7-3/8" | |
| K-100-4 | 1" | 8-1/8" | 8-3/8" | |
| K-150-4 | 1-1/2" | 10-1/8" | 10-3/8" | |

ACCESSORY OPTIONS



Continuous run of active and/or inactive sections. Center tees extended to end of plenum to appear continuous. Ceiling tee bars by others or option 12 frame required.


Material: 304 stainless steel.

Finish: #3 satin polish where visible.

| Qty. | Model | Length L | Height H | Inlet Size | Optional | | Options | Tag |
|------|-------|----------|----------|------------|----------|---------------|---------|-----|
| | | | | | Frame | Screw Holes | | |
| | | | | | | Field Drilled | | |
| | | | | | | | | |
| | | | | | | | | |
| | | | | | | | | |
| | | | | | | | | |
| | | | | | | | | |
| | | | | | | | | |

To maintain KEES' policy of continuous product improvement, we reserve the right to change prices, specifications, ratings or dimensions without notice or obligation.

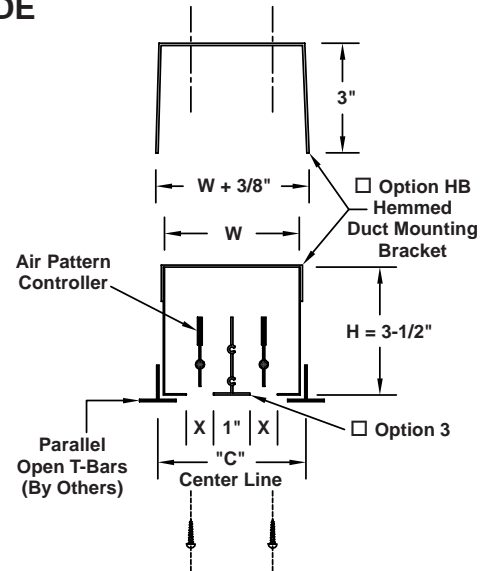
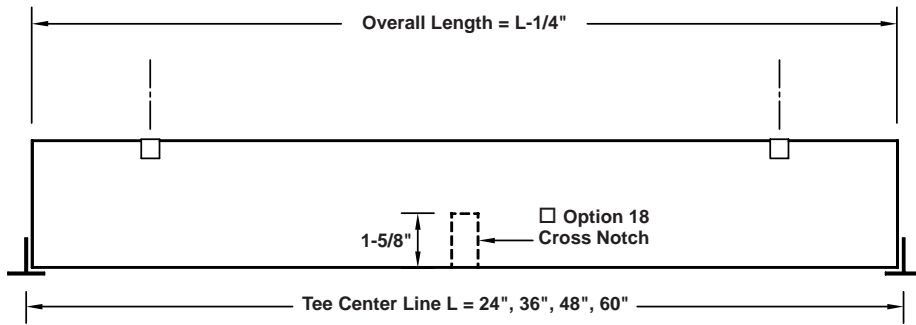
| | | | |
|------------|--|-----------------|-------|
| Project | | Location | |
| Engineer | | Dwg. No. | |
| Architect | | Diff.-KS-SS-PDF | |
| Contractor | | Date | 07/07 |



KEES INCORPORATED
 400 S. Industrial Dr. • P.O. Box L
 Elkhart Lake, WI 53020
 Phone: (920) 876-3391
 Fax: (920) 876-3065
 Website: www.kees.com

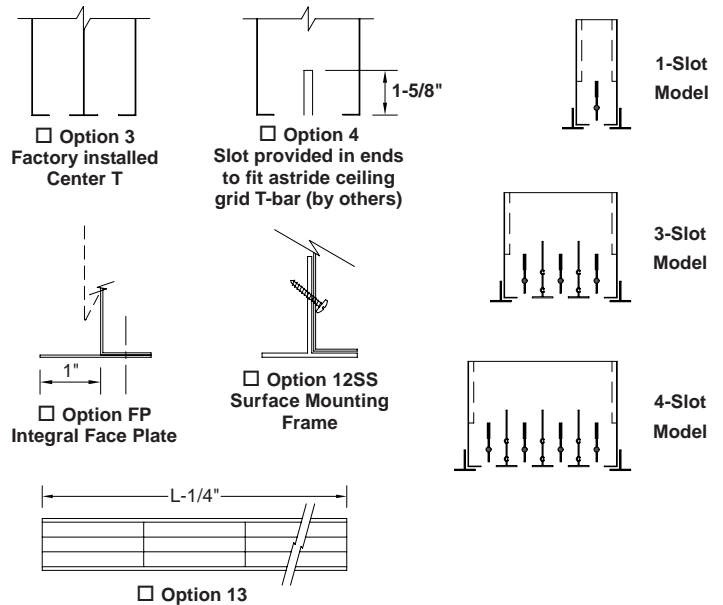
MODEL "K" DIFFUSER WITH ADJUSTABLE BLADE

2-Slot Model



| MODEL | SLOT WIDTH X | W | C | H |
|---------|--------------|---------|---------|--------|
| K-75-1 | 3/4" | 1-7/8" | 2-1/8" | 3-1/2" |
| K-100-1 | 1" | 2-1/8" | 2-3/8" | |
| K-150-1 | 1-1/2" | 2-5/8" | 2-7/8" | |
| K-75-2 | 3/4" | 3-5/8" | 3-7/8" | |
| K-100-2 | 1" | 4-1/8" | 4-3/8" | |
| K-150-2 | 1-1/2" | 5-1/8" | 5-3/8" | |
| K-75-3 | 3/4" | 5-3/8" | 5-5/8" | |
| K-100-3 | 1" | 6-1/8" | 6-3/8" | |
| K-150-3 | 1-1/2" | 7-5/8" | 7-7/8" | |
| K-75-4 | 3/4" | 7-1/8" | 7-3/8" | |
| K-100-4 | 1" | 8-1/8" | 8-3/8" | |
| K-150-4 | 1-1/2" | 10-1/8" | 10-3/8" | |

ACCESSORY OPTIONS




Material: 304 stainless steel.

Finish: #3 satin polish where visible.

Continuous run of active and/or inactive sections. Center tees extended to end of plenum to appear continuous. Ceiling tee bars by others or option 12 frame required.

| Qty. | Model | Length L | Height H | Options | Tag |
|------|-------|----------|----------|---------|-----|
| | | | | | |
| | | | | | |
| | | | | | |
| | | | | | |
| | | | | | |
| | | | | | |
| | | | | | |
| | | | | | |
| | | | | | |
| | | | | | |

To maintain KEES' policy of continuous product improvement, we reserve the right to change prices, specifications, ratings or dimensions without notice or obligation.

| | | | | |
|-------------------|--|-----------------|--------------------|--|
| Project | | Location | |  KEES INCORPORATED 400 S. Industrial Dr. • P.O. Box L Elkhart Lake, WI 53020 Phone: (920) 876-3391 Fax: (920) 876-3065 Website: www.kees.com |
| Engineer | | Dwg. No. | Diff.-KS-SS | |
| Architect | | Date | 03/07 | |
| Contractor | | | | |