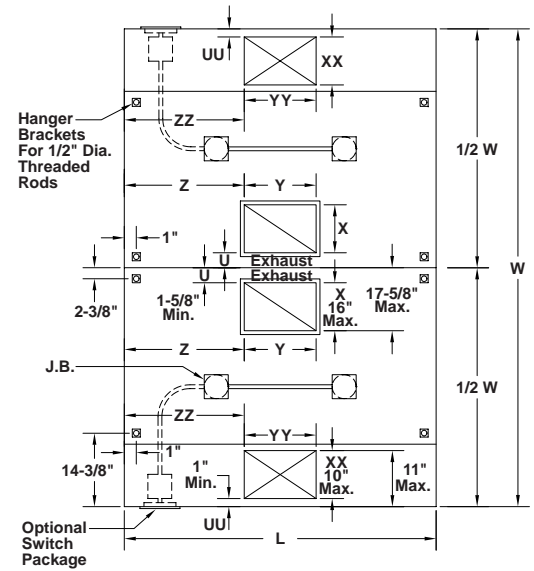
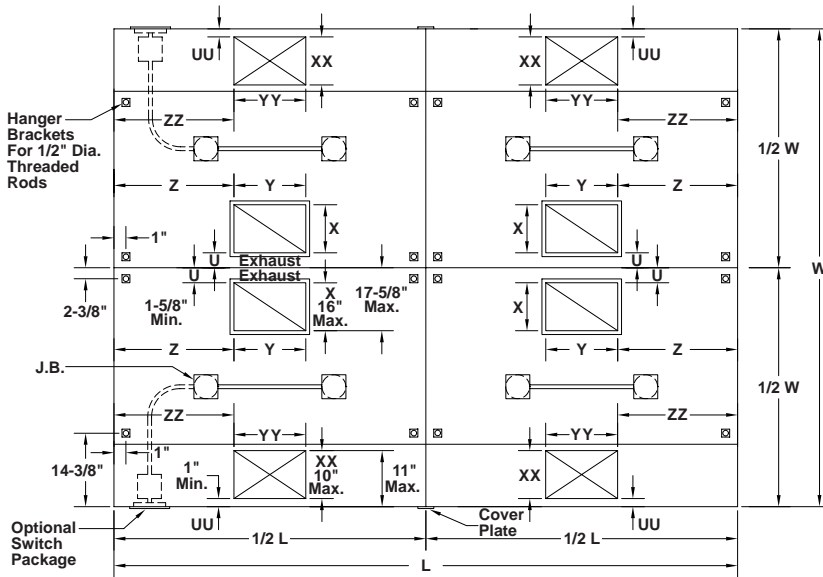
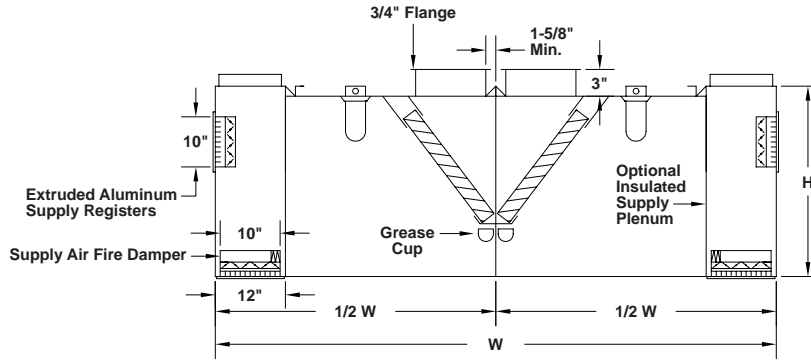


# KSI-400T ISLAND HOOD



| Quantity | ① Material | ② Gauge | Hood Dimensions |   |   | ③ Number of Lights | ④ Factory Cut Exhaust Opening |   |   |   |  |  |  |
|----------|------------|---------|-----------------|---|---|--------------------|-------------------------------|---|---|---|--|--|--|
|          |            |         | L               | W | H |                    | U                             | X | Y | Z |  |  |  |
|          |            |         |                 |   |   |                    |                               |   |   |   |  |  |  |
|          |            |         |                 |   |   |                    |                               |   |   |   |  |  |  |
|          |            |         |                 |   |   |                    |                               |   |   |   |  |  |  |

| ④ Factory Cut Supply Opening |    |    |    | ⑤ Filters |          |          |      | ⑥ Finish | Other Options | Tag |
|------------------------------|----|----|----|-----------|----------|----------|------|----------|---------------|-----|
| UU                           | XX | YY | ZZ | Type      | Material | Quantity | Size |          |               |     |
|                              |    |    |    |           |          |          |      |          |               |     |
|                              |    |    |    |           |          |          |      |          |               |     |

- ① Type 304 or 430 stainless steel.
- ② 18 ga. is standard; other gauges available.
- ③ Standard is 100 watt vapor proof incandescent U.L. Listed for use on grease exhaust hood.
- ④ 2 sets of collars required on hood sections over 12' long.
- ⑤ Aluminum baffle type U.L. Classified filters standard.

- ⑥ #3 polish standard.
- ⑦ Optional exhaust air fire damper.
- ⑧ Standard supply air fire damper.
- ⑨ Optional supply air collar balancing damper.
- ⑩ Optional switch package with flush mounted stainless steel cover and junction box on top of hood. (Fan switch with illuminated toggle).
  - Hood mounted     Loose for wall mounting
- Number of light switches \_\_\_\_\_
- Number of fan switches \_\_\_\_\_ Voltage \_\_\_\_\_ 115V \_\_\_\_\_ 24V
- ⑪ Optional insulated plenum.

**UL US LISTED**  U.L. File MH12960 (Without Exhaust Fire Damper)  
 U.L. File MH12071 (With Exhaust Fire Damper)



To maintain KEES' policy of continuous product development, we reserve the right to change prices, specifications, ratings and dimensions without notice or obligation.

| Project    | Location  |
|------------|---|
|            |   |
| Engineer   | <b>KEES INCORPORATED</b><br>400 S. Industrial Dr. • P.O. Box L<br>Elkhart Lake, WI 53020<br>Phone: (920) 876-3391<br>Fax: (920) 876-3065<br>Website: www.kees.com |
| Architect  |   |
| Contractor | Dwg. No. <b>SD-KSI-400T</b><br>Date <b>06/10</b>  |

