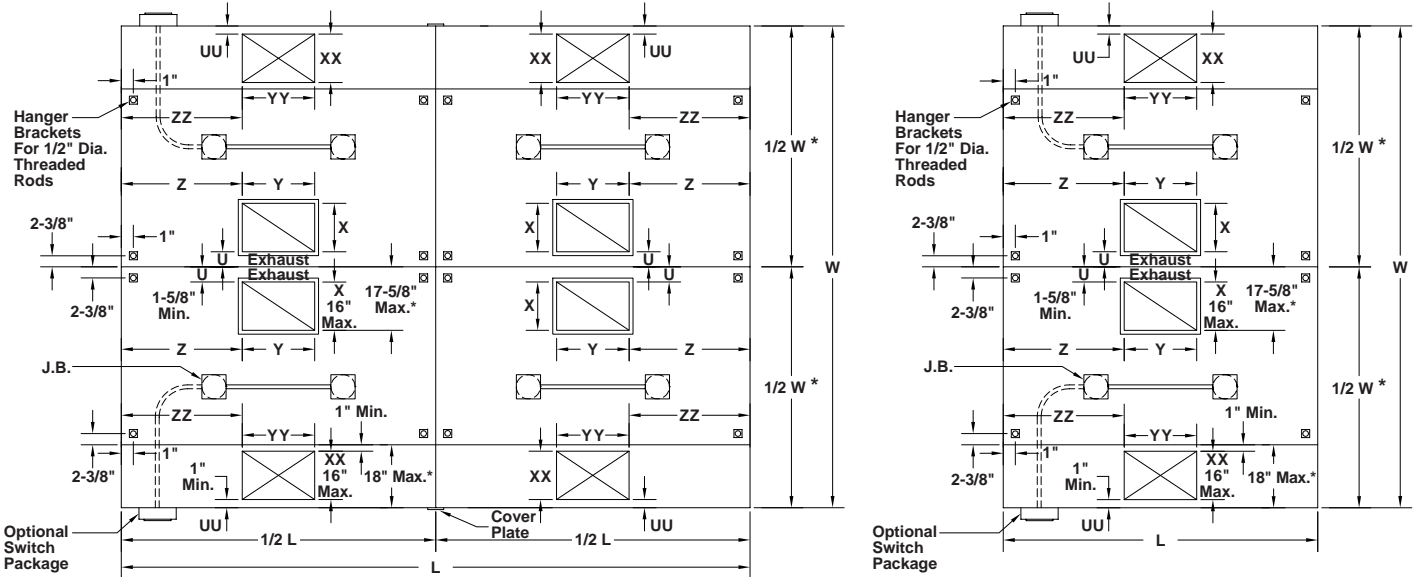
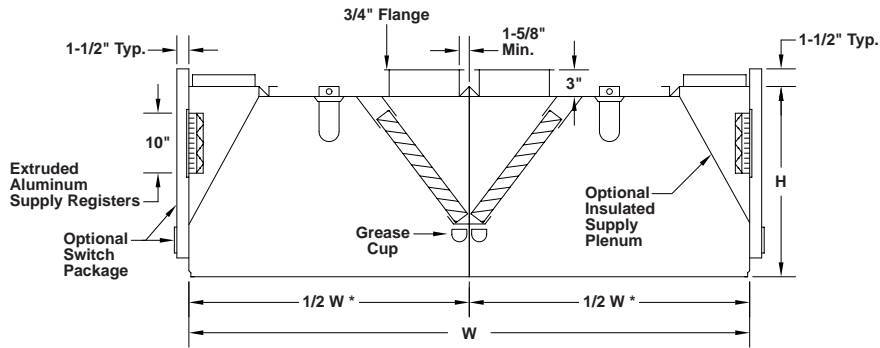


KSI-300T ISLAND HOOD



* IF HOOD WIDTH (1/2 W) LESS THAN 48" IS REQUIRED, CONTACT FACTORY FOR COLLAR DIMENSIONAL LIMITATIONS.

Quantity	① Material	② Gauge	Hood Dimensions			③ Number of Lights	④ Factory Cut Exhaust Opening *						
			L	W	H		U	X	Y	Z			

④ Factory Cut Supply Opening *				⑤ Filters				⑥ Finish	Other Options	Tag
UU	XX	YY	ZZ	Type	Material	Quantity	Size			

- ① Type 304 or 430 stainless steel.
- ② 18 ga. is standard; other gauges available.
- ③ Standard is 100 watt vapor proof incandescent U.L. Listed for use on grease exhaust hood.
- ④ 2 sets of collars required on hood sections over 12' long.
- ⑤ Aluminum baffle type U.L. Classified filters standard.
- ⑥ #3 polish standard.
- ⑦ Optional exhaust air fire damper.
- ⑧ Optional supply air fire damper (not required by U.L.).
- ⑨ Optional supply air collar balancing damper.
- ⑩ Optional switch package with surface mounted stainless steel cover and junction box on top of hood. (Fan switch with illuminated toggle).
 - Hood mounted Loose for wall mounting
- Number of light switches _____
- Number of fan switches _____ Voltage _____ 115V _____ 24V
- ⑪ Optional insulated plenum.

UL US LISTED
 □ U.L. File MH12960 (Without Exhaust Fire Damper)
 □ U.L. File MH12071 (With Exhaust Fire Damper)



To maintain KEES' policy of continuous product development, we reserve the right to change prices, specifications, ratings and dimensions without notice or obligation.

Project	Location
Engineer	KEES INCORPORATED 400 S. Industrial Dr. • P.O. Box L Elkhart Lake, WI 53020 Phone: (920) 876-3391 Fax: (920) 876-3065 Website: www.kees.com
Architect	
Contractor	Dwg. No. SD-KSI-300T Date 06/10