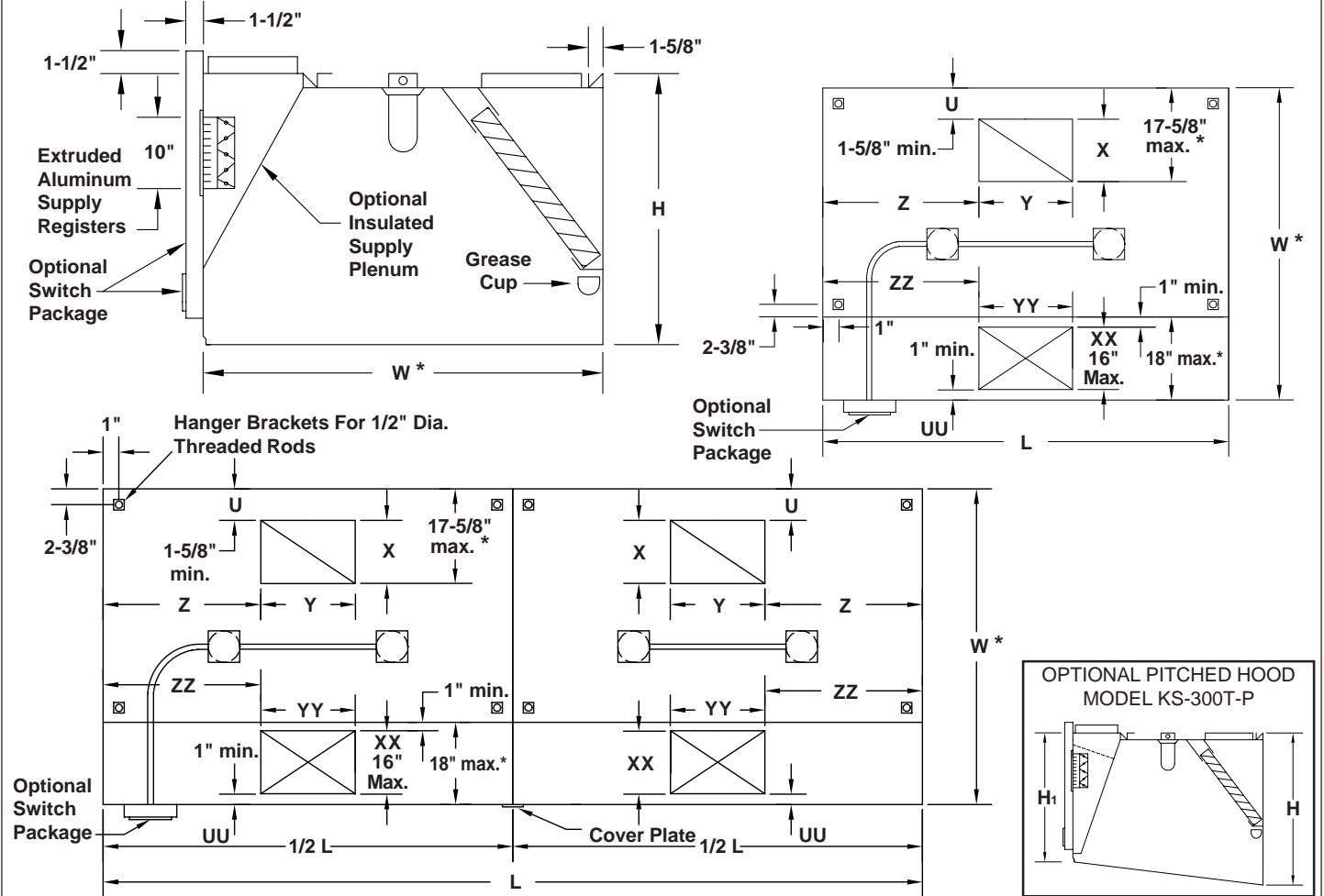


# KS-300T WALL HOOD



\* IF HOOD WIDTH LESS THAN 48" IS REQUIRED, CONTACT FACTORY FOR COLLAR DIMENSIONAL LIMITATIONS.

Qty.	① Material	② Gauge	Hood Dimensions				③ Number of Lights	④ Factory Cut Exhaust Opening *					
			L	W	H	H <sub>1</sub>		U	X	Y	Z		

④ Factory Cut Supply Opening *				⑤ Filters				⑥ Finish	Other Options	Tag
UU	XX	YY	ZZ	Type	Material	Quantity	Size			

- ① Type 304 stainless steel.
- ② 18 ga. standard; other gauges available.
- ③ Standard is 100 watt vaporproof incandescent U.L. Listed for use on grease exhaust hood.
- ④ 2 sets of collars required on hood sections over 12' long.
- ⑤ Aluminum baffle type U.L. Classified filters standard.
- ⑥ #3 polish standard.
- ⑦ Optional exhaust air fire damper.
- ⑧ Optional supply air fire damper (not required by U.L.).
- ⑨ Optional supply air collar balancing damper.
- ⑩ Optional switch package with flush mounted stainless steel cover and junction box on top of hood. (Fan switch with illuminated toggle).
  - Hood mounted       Loose for wall mounting
  - Number of light switches \_\_\_\_\_
  - Number of fan switches \_\_\_\_\_ Voltage \_\_\_ 115V \_\_\_ 24V
- ⑪ Optional insulated plenum.



U.L. File MH12960 (Without Exhaust Fire Damper)  
 U.L. File MH12071 (With Exhaust Fire Damper)



Project		Location	
Engineer		Dwg No. SD-KS-300T	
Architect		Date	03/07
Contractor		<b>KEES INCORPORATED</b> 400 S. Industrial Dr. • P.O. Box L Elkhart Lake, WI 53020 Phone: (920) 876-3391 Fax: (920) 876-3065 Website: www.kees.com	

To maintain KEES' policy of continuous product improvement, we reserve the right to change prices, specifications, ratings, or dimensions without prior notice or obligation.