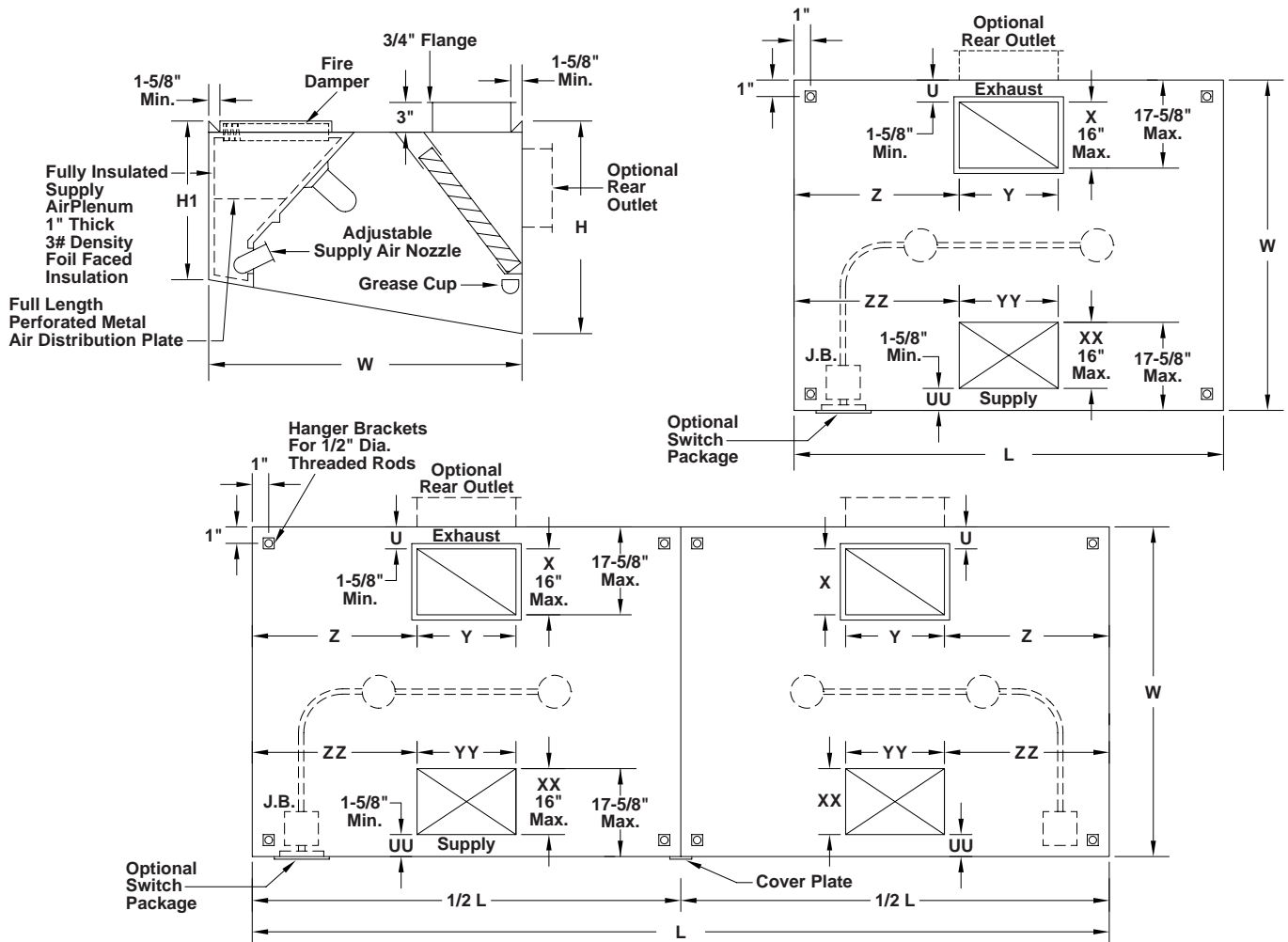


KS-100-P WALL HOOD - PITCHED



Quantity	① Material	② Gauge	Hood Dimensions				③ Number of Lights	④ Factory Cut Exhaust Opening						
			L	W	H	H1		U	X	Y	Z			

④ Factory Cut Supply Opening				⑤ Filters				⑥ Finish	Other Options	Tag
UU	XX	YY	ZZ	Type	Material	Quantity	Size			

- ① Type 304 or 430 stainless steel.
- ② 18 ga. is standard; other gauges available.
- ③ Standard is 100 watt vapor proof incandescent U.L. Listed for use on grease exhaust hood.
- ④ 2 sets of collars required on hood sections over 12' long.
- ⑤ Aluminum baffle type U.L. Classified filters standard.
- ⑥ #3 polish standard.
- ⑦ Optional exhaust air fire damper.
- ⑧ Standard supply air fire damper.
- ⑨ Optional supply air collar balancing damper.
- ⑩ Optional switch package with flush mounted stainless steel cover and junction box on top of hood. (Fan switch with illuminated toggle).
 - Hood mounted Loose for wall mounting

UL US LISTED
 □ U.L. File MH12960 (Without Exhaust Fire Damper)
 □ U.L. File MH12071 (With Exhaust Fire Damper)

Number of light switches _____
 Number of fan switches _____ Voltage _____ 115V _____ 24V



To maintain KEES' policy of continuous product development, we reserve the right to change prices, specifications, ratings and dimensions without notice or obligation.

Project		Location	
Engineer			
Architect		Dwg. No.	SD-KS-100-P
Contractor		Date	06/10

KEES INCORPORATED
 400 S. Industrial Dr. • P.O. Box L
 Elkhart Lake, WI 53020
 Phone: (920) 876-3391
 Fax: (920) 876-3065
 Website: www.kees.com