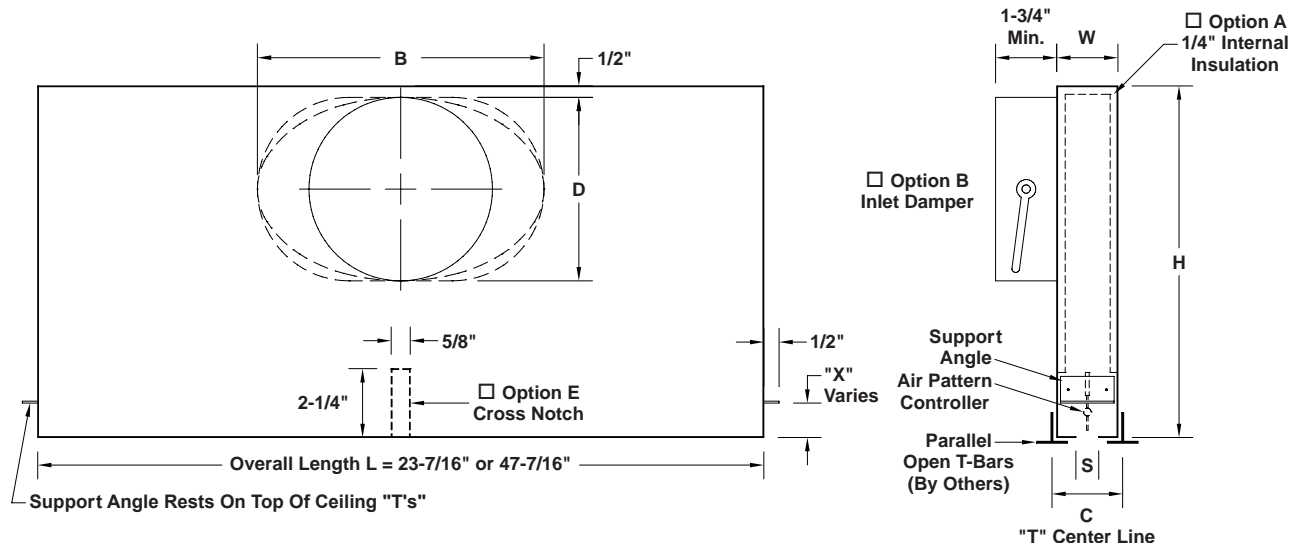
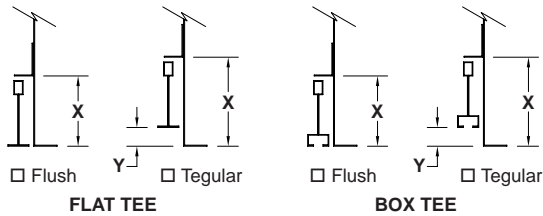


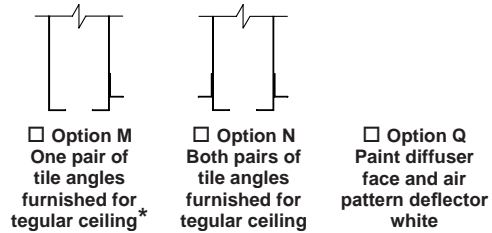
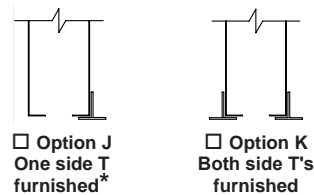
MODEL "K" DIFFUSER • 9/16" WIDE TEE CEILINGS 1-Slot Model



CEILING GRID TEE STYLE



ACCESSORY OPTIONS



Ceiling Mfg. Name _____
 Ceiling Mfg. Model _____

MODEL	SLOT WIDTH S	W	C	NOMINAL INLET SIZE	B	D	H
K-50-1	1/2"	1-5/8"	1-7/8"	6" RD.	5-7/8"	5-7/8"	11-5/8"
K-75-1	3/4"	1-7/8"	2-1/8"	8" RD.	7-7/8"	7-7/8"	
K-100-1	1"	2-1/8"	2-3/8"	10" OV.	11-1/2"	8"	13-5/8"
K-150-1	1-1/2"	2-5/8"	2-7/8"	12" SLOT	14-1/2"	8"	
				12" OV.	13-7/8"	9-9/16"	13-5/8"
				12" RD.	11-7/8"	11-7/8"	15-5/8"

Material: 24 gauge zinc coated steel. Pattern controller extruded aluminum with felt wiper seal.
Finish: Diffuser face and pattern controller flat black.

NOTE: Factory installed side tees have 15/16" face.

Inlet Collar Location: Inlet collar may be offset for packaging purposes.
 * Specify inlet side or side opposite inlet if ordering Options J or M.

Quantity	Model	Length L	Height H	Inlet Size	X	Y	Options	Tag

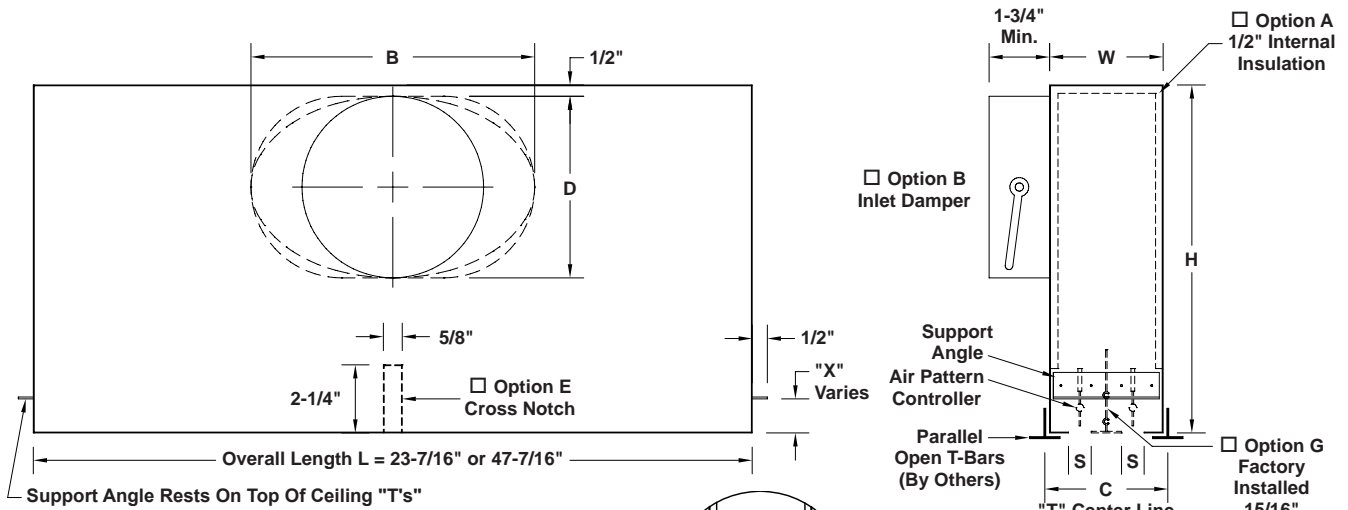
To maintain KEES' policy of continuous product development, we reserve the right to change prices, specifications, ratings and dimensions without notice or obligation.

Project				Location			
Engineer				Dwg. No.	Diff. 9/16" 1 Slot		
Architect				Date	05/10		
Contractor							

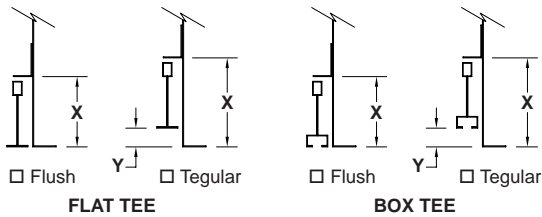


KEES INCORPORATED
 400 S. Industrial Dr.
 Elkhart Lake, WI 53020
 Phone: (920) 876-3391
 Fax: (920) 876-3065
 Website: www.kees.com

MODEL "K" DIFFUSER • 9/16" WIDE TEE CEILINGS 2-Slot Model

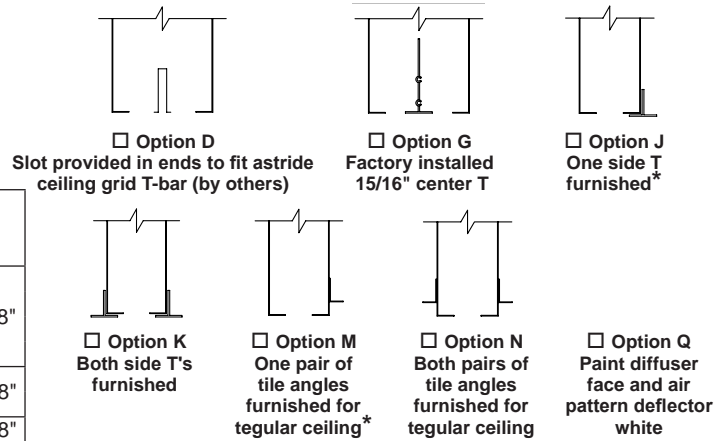


CEILING GRID TEE STYLE



Ceiling Mfg. Name _____
 Ceiling Mfg. Model _____

ACCESSORY OPTIONS



MODEL	SLOT WIDTH S	W	C	NOMINAL INLET SIZE			
				B	D	H	
K-50-2	1/2"	3-1/8"	3-3/8"	6" RD.	5-7/8"	5-7/8"	11-5/8"
K-75-2	3/4"	3-5/8"	3-7/8"	8" RD.	7-7/8"	7-7/8"	
K-100-2	1"	4-1/8"	4-3/8"	10" OV.	11-1/2"	8"	
K-150-2	1-1/2"	5-1/8"	5-3/8"	10" RD.	9-7/8"	9-7/8"	13-5/8"
				12" OV.	13-7/8"	9-9/16"	
				12" RD.	11-7/8"	11-7/8"	15-5/8"

Material: 24 gauge zinc coated steel. Pattern controller extruded aluminum with felt wiper seal.
Finish: Diffuser face and pattern controller flat black, Tee (if provided) white.

NOTE: Factory installed center and side tees have 15/16" face.

Inlet Collar Location: Inlet collar may be offset for packaging purposes.

* Specify inlet side or side opposite inlet if ordering Options J or M.

Quantity	Model	Length L	Height H	Inlet Size	X	Y	Options	Tag

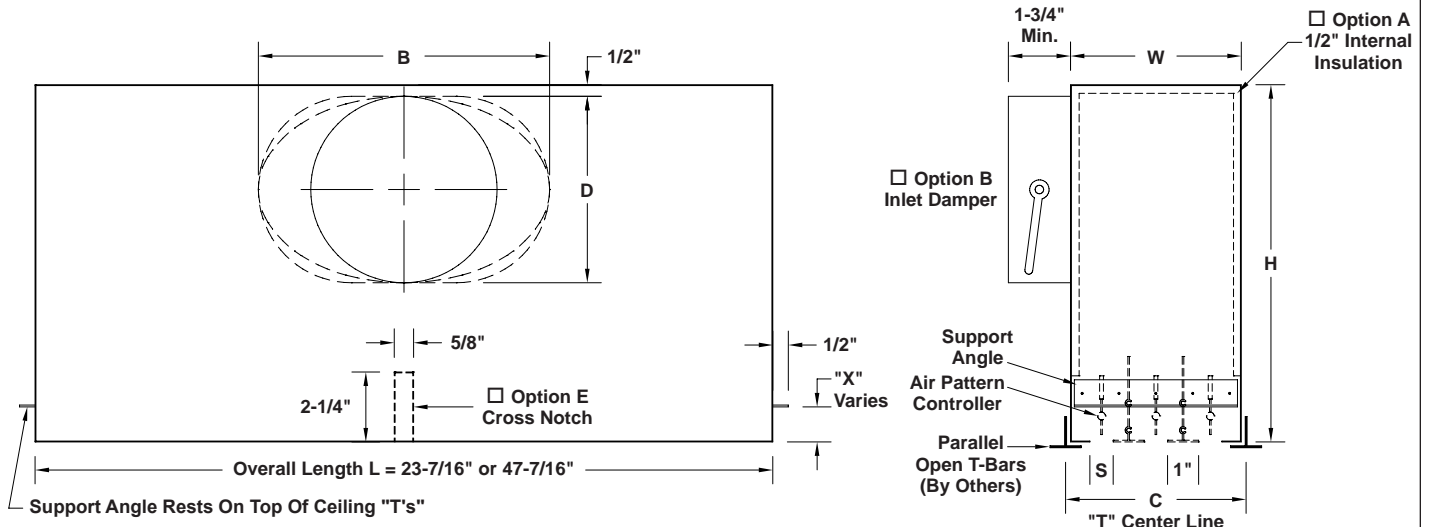
To maintain KEES' policy of continuous product development, we reserve the right to change prices, specifications, ratings and dimensions without notice or obligation.

Project				Location				
Engineer				Dwg. No.	Diff. 9/16" 2 Slot			
Architect				Date	05/10			
Contractor								

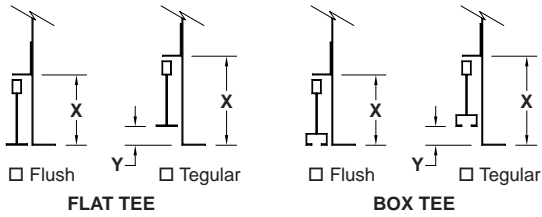


KEES INCORPORATED
 400 S. Industrial Dr.
 Elkhart Lake, WI 53020
 Phone: (920) 876-3391
 Fax: (920) 876-3065
 Website: www.kees.com

MODEL "K" DIFFUSER • 9/16" WIDE TEE CEILINGS 3-Slot Model

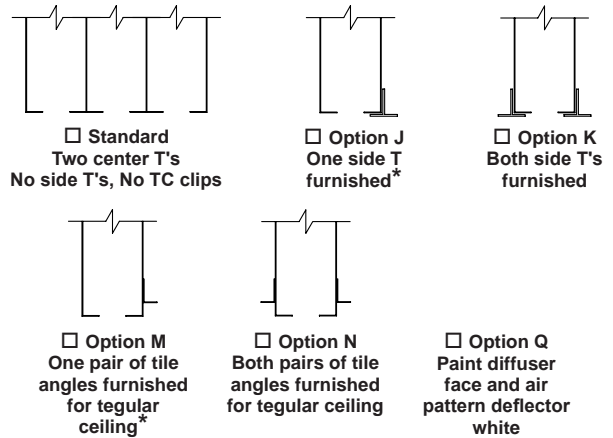


CEILING GRID TEE STYLE



Ceiling Mfg. Name _____
 Ceiling Mfg. Model _____

ACCESSORY OPTIONS



MODEL	SLOT WIDTH S	W	C	NOMINAL INLET SIZE		
				B	D	H
K-50-3	1/2"	4-5/8"	4-7/8"	6" RD.	5-7/8"	5-7/8"
				7" RD.	6-7/8"	6-7/8"
				8" RD.	7-7/8"	7-7/8"
				10" OV.	11-1/2"	8"
K-75-3	3/4"	5-3/8"	5-5/8"	12" SLOT	14-1/2"	8"
				10" RD.	9-7/8"	9-7/8"
K-100-3	1"	6-1/8"	6-3/8"	12" OV.	13-7/8"	9-9/16"
				12" RD.	11-7/8"	11-7/8"
K-150-3	1-1/2"	7-5/8"	7-7/8"			

NOTE: Factory installed center and side tees have 15/16" face.

Material: 24 gauge zinc coated steel. Pattern controller extruded aluminum with felt wiper seal.
Finish: Diffuser face and pattern controller flat black.

Inlet Collar Location: Inlet collar may be offset for packaging purposes.
 * Specify inlet side or side opposite inlet if ordering Options J or M.

Quantity	Model	Length L	Height H	Inlet Size	X	Y	Options	Tag

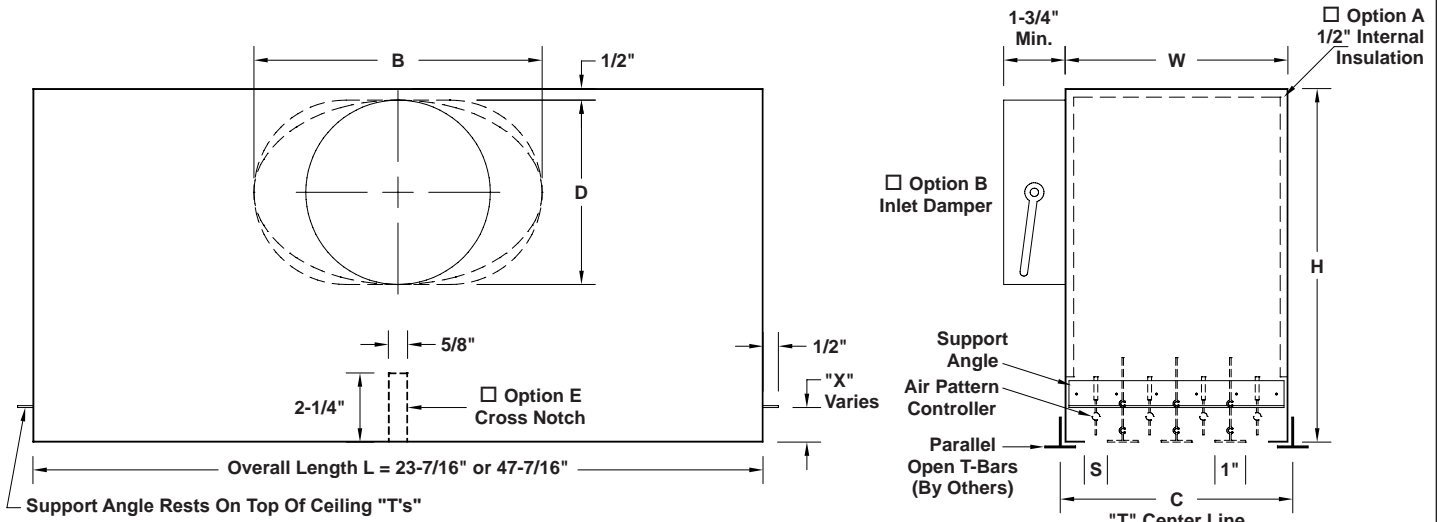
To maintain KEES' policy of continuous product development, we reserve the right to change prices, specifications, ratings and dimensions without notice or obligation.

Project				Location			
Engineer				Dwg. No.	Diff. 9/16" 3 Slot		
Architect				Date	05/10		
Contractor							

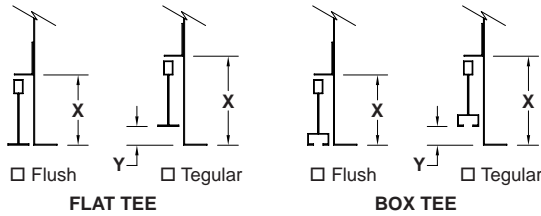


KEES INCORPORATED
 400 S. Industrial Dr.
 Elkhart Lake, WI 53020
 Phone: (920) 876-3391
 Fax: (920) 876-3065
 Website: www.kees.com

MODEL "K" DIFFUSER • 9/16" WIDE TEE CEILINGS 4-Slot Model

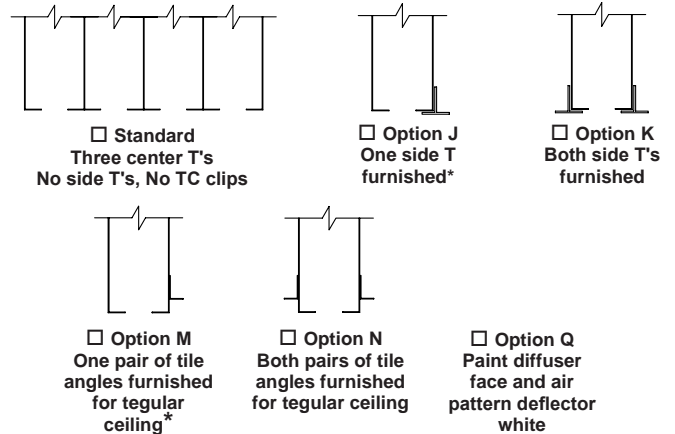


CEILING GRID TEE STYLE



Ceiling Mfg. Name _____
 Ceiling Mfg. Model _____

ACCESSORY OPTIONS



MODEL	SLOT WIDTH S	W	C	NOMINAL INLET SIZE		
				B	D	H
K-50-4	1/2"	6-1/8"	6-3/8"	7" RD.	6-7/8"	6-7/8"
				8" RD.	7-7/8"	7-7/8"
				10" OV.	11-1/2"	8"
				12" SLOT	14-1/2"	8"
K-75-4	3/4"	7-1/8"	7-3/8"	10" RD.	9-7/8"	9-7/8"
				12" OV.	13-7/8"	9-9/16"
K-100-4	1"	8-1/8"	8-3/8"	14" SLOT	16-1/8"	9-7/8"
				12" RD.	11-7/8"	11-7/8"
K-150-4	1-1/2"	10-1/8"	10-3/8"			


Material: 24 gauge zinc coated steel. Pattern controller extruded aluminum with felt wiper seal.
Finish: Diffuser face and pattern controller flat black.

Inlet Collar Location: Inlet collar may be offset for packaging purposes.
 * Specify inlet side or side opposite inlet if ordering Options J or M.

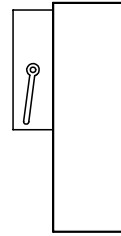
NOTE: Factory installed center and side tees have 15/16" face.

Quantity	Model	Length L	Height H	Inlet Size	X	Y	Options	Tag

To maintain KEES' policy of continuous product development, we reserve the right to change prices, specifications, ratings and dimensions without notice or obligation.

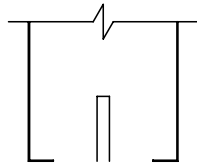
Project	Location
Engineer	 KEES INCORPORATED 400 S. Industrial Dr. Elkhart Lake, WI 53020 Phone: (920) 876-3391 Fax: (920) 876-3065 Website: www.kees.com
Architect	
Dwg. No.	
Date	
Contractor	Diff. 9/16" 4 Slot 05/10

OPTIONS FOR "K" AIR DIFFUSERS FOR USE WITH 9/16" TEE BAR GRID

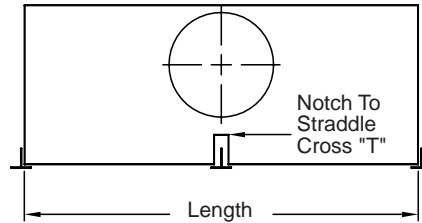


Option B
Inlet Damper With Manual Quadrant

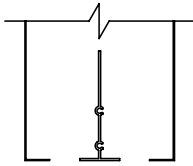
Option A
Internal Insulation



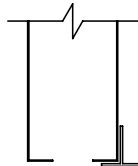
Option D
Slot Provided In Ends To Fit Astride Ceiling Grid
T-Bar (By Others). On 2 Slot Unit



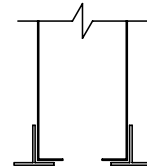
Option E
Cross Notch For Cross "T"



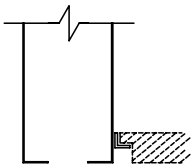
Option G
Factory Installed
Extruded 15/16" Center T.
On 2 or More Slot Units



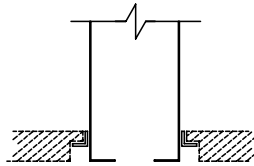
Option J
One side T
furnished*



Option K
Both side T's
furnished*



Option M
One Tile Angle For Tegular Ceiling



Option N
Two Tile Angles For Tegular Ceiling

Option Q
Entire Unit Painted White

To maintain KEES' policy of continuous product development, we reserve the right to change prices, specifications, ratings and dimensions without notice or obligation.

Project		Location	
Engineer			
Architect		Dwg. No.	OPTIONS
Contractor		Date	05/10



KEES INCORPORATED
400 S. Industrial Dr.
Elkhart Lake, WI 53020
Phone: (920) 876-3391
Fax: (920) 876-3065
Website: www.kees.com