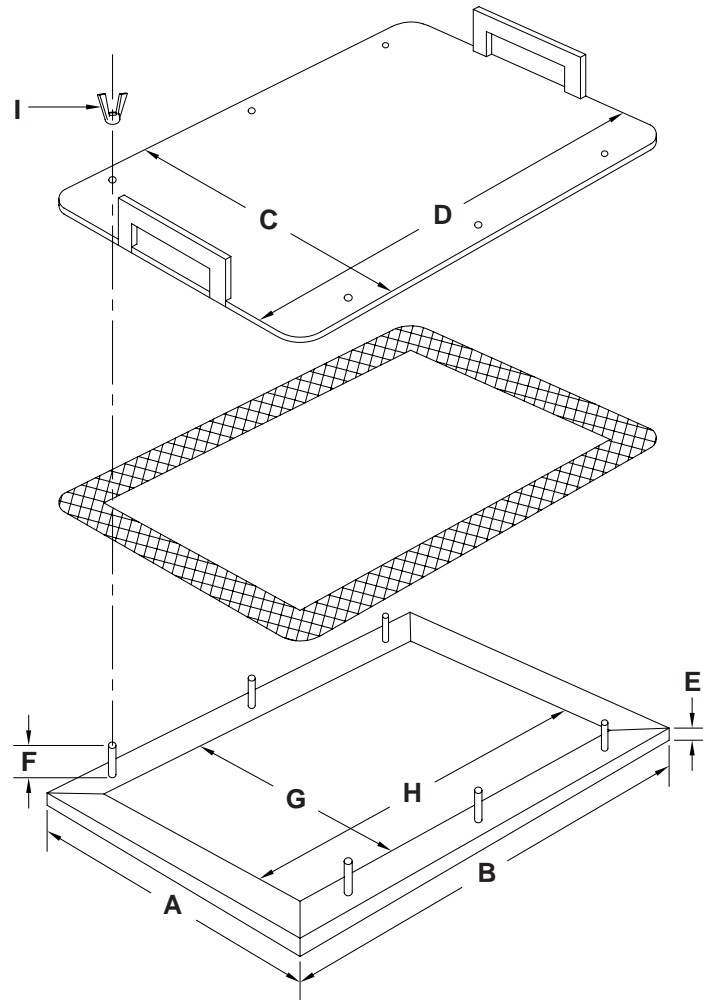



U.L.LISTED GREASE DUCT DOOR FOR FLAT DUCT



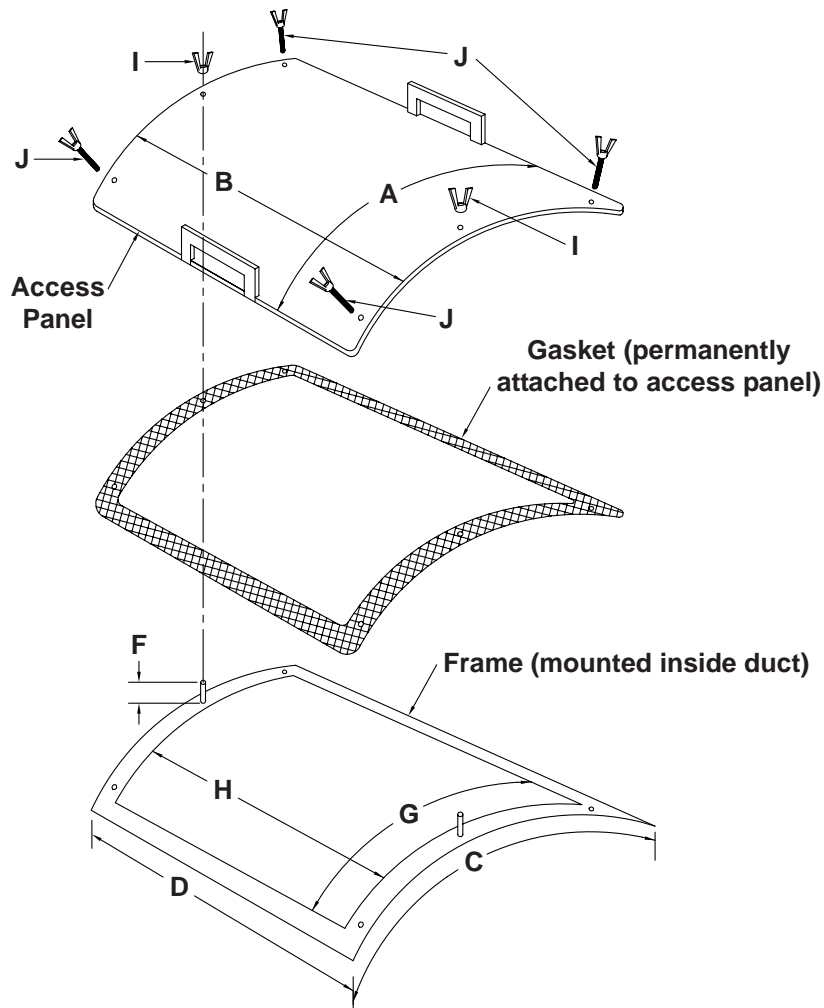
DIMENSIONS

SIZE	A	B	C	D	E	F	G	H	I Qty.
5.5" x 7.5"	7"	10"	7"	10"	FLAT	1"	5.5"	7.5"	4
5.5" x 13.5"	7"	15"	7"	15"	FLAT	1"	5.5"	13.5"	6
5.5" x 21.5"	7"	23"	7"	23"	FLAT	1"	5.5"	21.5"	10
7" x 7"	10"	10"	10.5"	10.5"	.5"	1"	7"	7"	4
7" x 12"	10"	15"	10.5"	15.5"	.5"	1"	7"	12"	6
7" x 20"	10"	23"	10.5"	23.5"	.5"	1"	7"	20"	10
12" x 12"	15"	15"	15.5"	15.5"	.5"	1"	12"	12"	8
12" x 20"	15"	23"	15.5"	23.5"	.5"	1"	12"	20"	12
16" x 20"	19"	23"	19.5"	23.5"	.5"	1"	16"	20"	12
20" x 20"	23"	23"	23.5"	23.5"	.5"	1"	20"	20"	16

To maintain KEES' policy of continuous product improvement, we reserve the right to change prices, specifications, ratings or dimensions without notice or obligation.

Project				Location						
Engineer					 KEES INCORPORATED 400 S. Industrial Dr. • P.O. Box L Elkhart Lake, WI 53020 Phone: (920) 876-3391 Fax: (920) 876-3065 Website: www.kees.com					
Architect			Dwg. No.	SD-KEDU						
Contractor			Date	03/06						

U.L.LISTED GREASE DUCT DOOR FOR ROUND DUCT



DIMENSIONS

SIZE	A	B	C	D	DUCT DIA.	F	G	H	Qty.	
									I	J
5.25" x 5.25"	6.75"	6.75"	6.75"	6.75"		1"	5.25"	5.25"	2	4
5.25" x 11.25"	6.75"	12.75"	6.75"	12.75"		1"	5.25"	11.25"	2	6
5.25" x 17.25"	6.75"	18.75"	6.75"	18.75"		1"	5.25"	17.25"	2	8
8.25" x 11.25"	9.75"	12.75"	9.75"	12.75"		1"	8.25"	11.25"	2	6
8.25" x 17.25"	9.75"	18.75"	9.75"	18.75"		1"	8.25"	17.25"	2	8
8.25" x 23.25"	9.75"	24.75"	9.75"	24.75"		1"	8.25"	23.25"	2	10
11.25" x 17.25"	12.75"	18.75"	12.75"	18.75"		1"	11.25"	17.25"	2	8
11.25" x 23.25"	12.75"	24.75"	12.75"	24.75"		1"	11.25"	23.25"	2	10
17.25" x 17.25"	18.75"	18.75"	18.75"	18.75"		1"	17.25"	17.25"	2	12
17.25" x 23.25"	18.75"	24.75"	18.75"	24.75"		1"	17.25"	23.25"	2	14

To maintain KEES' policy of continuous product improvement, we reserve the right to change prices, specifications, ratings or dimensions without notice or obligation.

Project		Location			
Engineer					
Architect			Dwg. No.	SD-KEDU-R	
Contractor			Date	03/06	

KEES INCORPORATED
 400 S. Industrial Dr. • P.O. Box L
 Elkhart Lake, WI 53020
 Phone: (920) 876-3391
 Fax: (920) 876-3065
 Website: www.kees.com