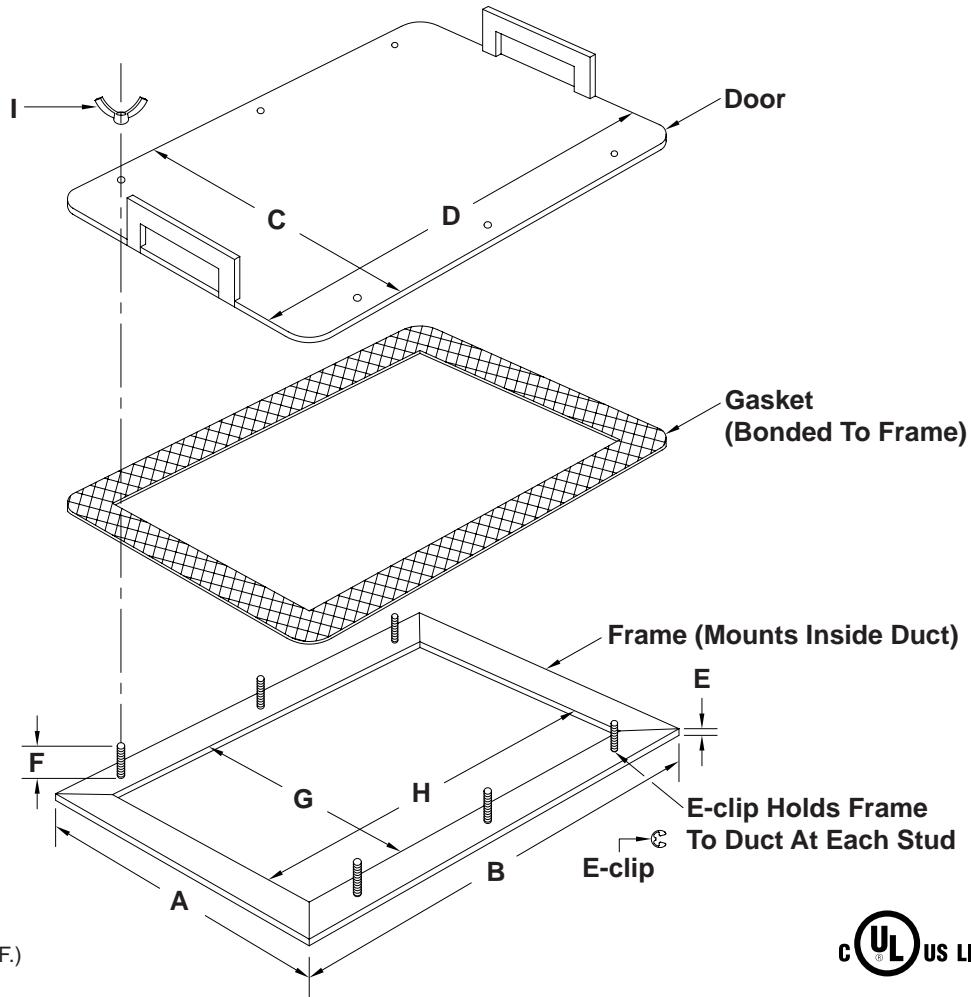


# U.L. LISTED GREASE DUCT DOOR FOR FLAT DUCT



**MATERIALS:**

Door: 16 GA. Galv. (.060")  
 Frame: 16 GA. CRS (.057")  
 Gasket: Ceramic Fiber (2,300° F.)  
 Studs and Wing Nuts: Steel



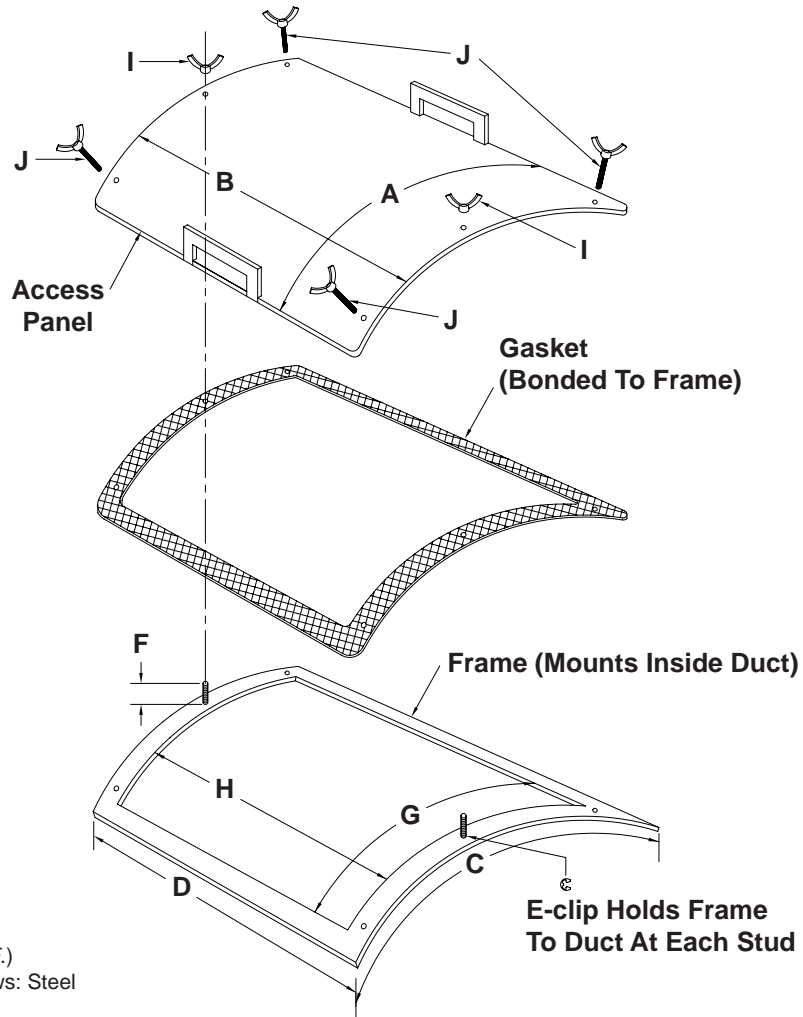
## DIMENSIONS

QTY.	SIZE	A	B	C	D	E	F	G	H	I Qty.
	5.5" x 8.5"	7"	10"	7"	10"	FLAT	1"	5.5"	8.5"	4
	5.5" x 13.5"	7"	15"	7"	15"	FLAT	1"	5.5"	13.5"	6
	5.5" x 21.5"	7"	23"	7"	23"	FLAT	1"	5.5"	21.5"	10
	6" x 6"	8"	8"	8"	8"	FLAT	1"	6"	6"	4
	7" x 7"	10"	10"	10"	10"	.5"	1"	7"	7"	4
	7" x 12"	10"	15"	10"	15"	.5"	1"	7"	12"	6
	7" x 20"	10"	23"	10"	23"	.5"	1"	7"	20"	10
	12" x 12"	15"	15"	15"	15"	.5"	1"	12"	12"	8
	12" x 20"	15"	23"	15"	23"	.5"	1"	12"	20"	12
	16" x 20"	19"	23"	19"	23"	.5"	1"	16"	20"	12
	20" x 20"	23"	23"	23"	23"	.5"	1"	20"	20"	16

To maintain KEES' policy of continuous product improvement, we reserve the right to change prices, specifications, ratings or dimensions without notice or obligation.

<b>Project</b>				<b>Location</b>		
<b>Engineer</b>				<b>KEES INCORPORATED</b> 400 S. Industrial Dr. • P.O. Box L Elkhart Lake, WI 53020 Phone: (920) 876-3391 Fax: (920) 876-3065 Website: www.kees.com		
<b>Architect</b>						
	<b>Dwg. No.</b>	<b>SD-KEDU</b>				
<b>Contractor</b>		<b>Date</b>	<b>01/10</b>			

# U.L. LISTED GREASE DUCT DOOR FOR ROUND DUCT



**MATERIALS:**

Door: 16 GA. Galv. (.060")  
 Frame: 16 GA. CRS (.057")  
 Gasket: Ceramic Fiber (2,300° F.)  
 Stud Wing Nuts and Wing Screws: Steel



## DIMENSIONS

QTY.	SIZE	A & C	B & D	DUCT DIA.	F	G	H	Qty. I	Qty. J
	5.00" x 5.25"	6.56"	6.75"		1"	5.06"	5.25"	2	4
	5.00" x 11.25"	6.50"	12.75"		1"	5.00"	11.25"	2	6
	5.00" x 17.25"	6.50"	18.75"		1"	5.00"	17.25"	2	8
	8.00" x 8.25"	9.50"	9.75"		1"	8.00"	8.25"	2	4
	8.00" x 11.25"	9.50"	12.75"		1"	8.00"	11.25"	2	6
	8.00" x 17.25"	9.50"	18.75"		1"	8.00"	17.25"	2	8
	8.00" x 23.25"	9.50"	24.75"		1"	8.00"	23.25"	2	10
	11.00" x 17.25"	12.50"	18.75"		1"	11.00"	17.25"	2	8
	11.00" x 23.25"	12.50"	24.75"		1"	11.00"	23.25"	2	10
	17.00" x 17.25"	18.50"	18.75"		1"	17.00"	17.25"	2	12
	17.00" x 23.25"	18.50"	24.75"		1"	17.00"	23.25"	2	14

To maintain KEES' policy of continuous product improvement, we reserve the right to change prices, specifications, ratings or dimensions without notice or obligation.

<b>Project</b>		<b>Location</b>		 <b>KEES INCORPORATED</b> 400 S. Industrial Dr. • P.O. Box L Elkhart Lake, WI 53020 Phone: (920) 876-3391 Fax: (920) 876-3065 Website: www.kees.com
<b>Engineer</b>		<b>Dwg. No.</b>	<b>SD-KEDU-R</b>	
<b>Architect</b>		<b>Date</b>	<b>01/10</b>	
<b>Contractor</b>				