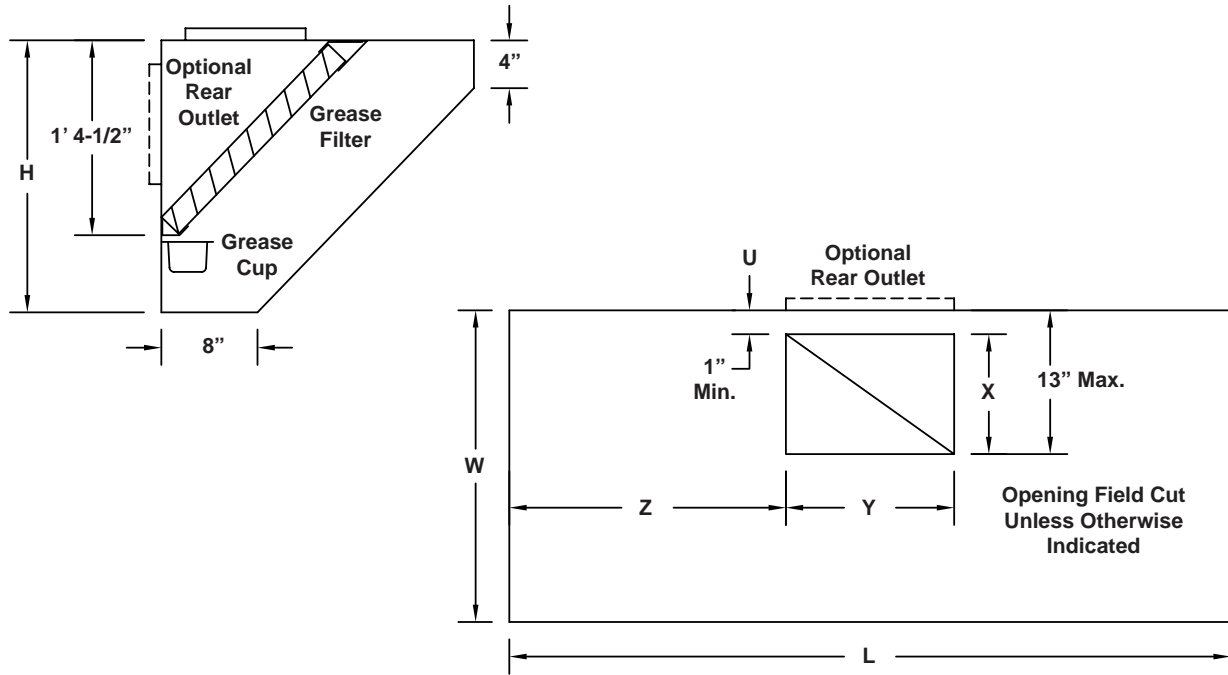


MODEL KD




Quantity	① Material	② Material Gauge	Hood Dimensions			③ Factory Cut Opening			
			L	W	H	U	X	Y	Z

④ Filters				⑤ Finish	⑥ Side Skirts	Other Options	Tag
Type	Material	Quantity	Size				

- ① Type 304 stainless steel.
- ② 18 GA. is standard; other gauges available.
- ③ Includes 1 inch high collar welded on.
- ④ Aluminum baffle type U.L. Classified filters standard.
- ⑤ #3 polish standard.
- ⑥ Advise if on one or both sides. Make a sketch. Do not paint inside surface.
- ⑦ Optional switch package with flush mounted stainless steel cover and junction box on top of hood. (Fan switch with illuminated toggle.)
 - Hood Mounted Loose for wall mounting
 - Number of fan switches _____ Voltage _____ 115V _____ 24V

To maintain KEES' policy of continuous product improvement, we reserve the right to change prices, specifications, ratings or dimensions without notice or obligation.

Project		Location		 KEES INCORPORATED 400 S. Industrial Dr. • P.O. Box L Elkhart Lake, WI 53020 Phone: (920) 876-3391 Fax: (920) 876-3065 Website: www.kees.com
Engineer		Dwg. No.	SD-KD	
Architect		Date	08/09	
Contractor				