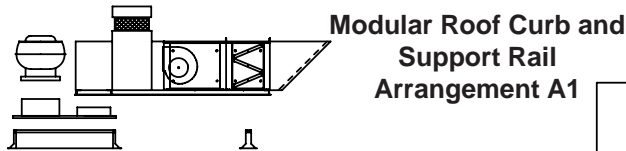
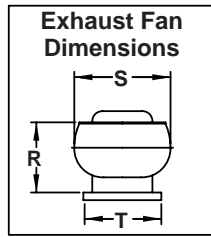


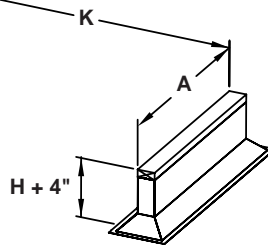
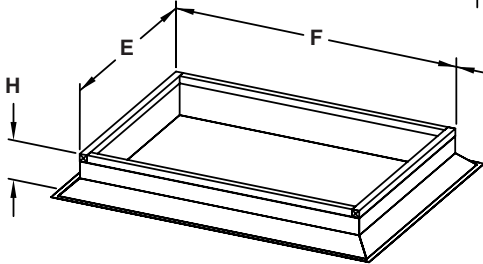
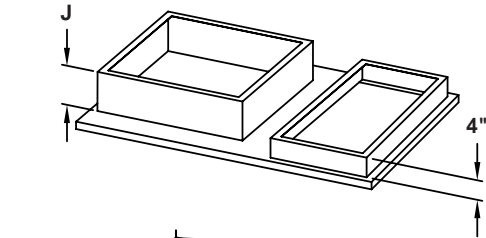
MODEL IFG ROOF CURBS (SINGLE FURNACE)



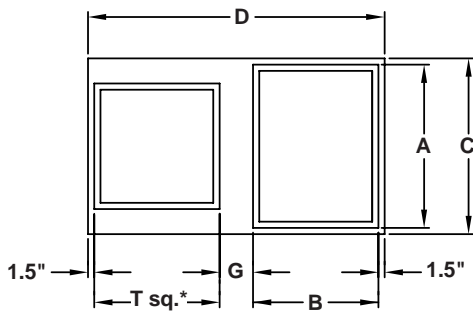
Modular Roof Curb and Support Rail Arrangement A1



Exhaust Fan Dimensions



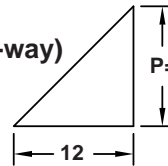
Plan View of Curb Cap



* See Note 4

- C = A+3" or T+3" (largest)
- D = B+G+T+3"
- E = C-1"
- F = D-1"
- G = $\left(\frac{S-T}{2}\right)+3"$
- J = 40"-H-R (4" min.)

Pitch - (1 or 2-way)

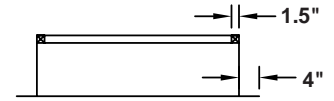


Select One Roof Curb Model

Model #1



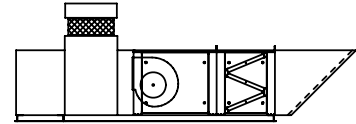
Model #3



Select One Housing Arrangement

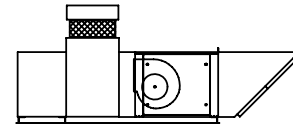
Heater + Blower + Filter + Intake

H1

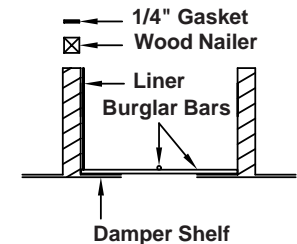


Heater + Blower + Intake with Filters

H2



Housing	#1	#2 #2 Wide	#3
H1	K=82.75	K=91.25	K=107
H2	K=58.75	K=66.75	K=83



OPTIONS:


- 07 Wood Nailer - Treated
- 10 Aluminum Construction
- 11 1/4" Neoprene Gasket
- 12 Inner Liner
- 16 One Way Pitch
- 17 Two Way Pitch
- 18 Burglar Bars
- 19 Damper Shelf

NOTES:

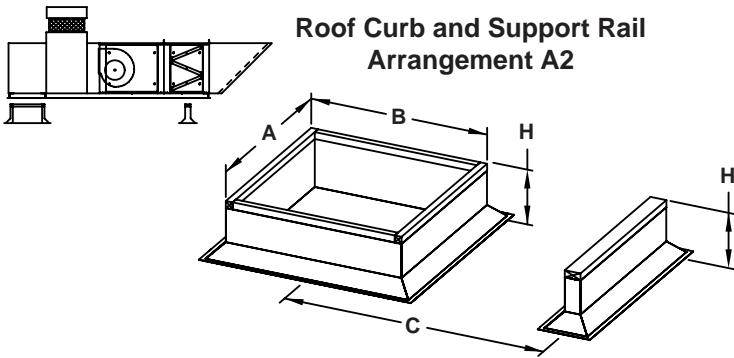
1. Standard construction - 18 gauge galvanized with fiberglass insulation.
2. See reverse side for Curb Arrangements A2, A3 & A4.
3. Use above table to select dimension K.
4. Dimension T is the actual exhaust fan curb cap I.D.. KEES will undersize by 1/2".

Qty.	Fan Size (IFG)	Housing	A	B	C	D	E	F	G	H	J	K	Exhaust Fan Make & Model or R, S and T	Options	Tag
	-109/110	#1	31.50	23.50											
	-112/115	#2	39.50	23.50											
	-209/210	#2 Wide	51.00	23.50											
	-118/120	#3	51.00	23.50											

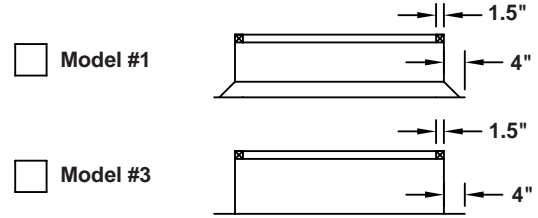
To maintain KEES' policy of continuous product improvement, we reserve the right to change prices, specifications, ratings or dimensions without notice or obligation.

Project		Location	
Engineer		 KEES INCORPORATED 400 S. Industrial Dr. • P.O. Box L Elkhart Lake, WI 53020 Phone: (920) 876-3391 Fax: (920) 876-3065 Website: www.kees.com	
Architect			
Contractor			
Dwg. No.	SD-IFG-CURB-SF		
Date	03/06		

MODEL IFG ROOF CURBS (SINGLE FURNACE)

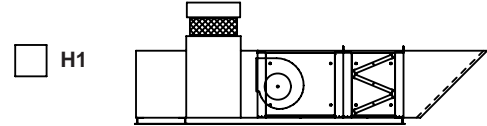


Select One Roof Curb Model

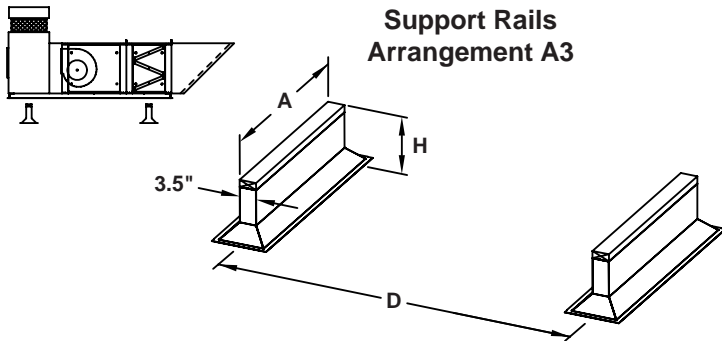
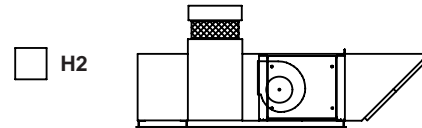


Select One Housing Arrangement

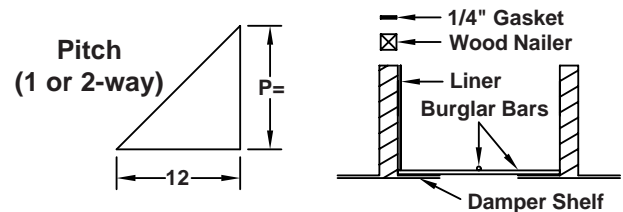
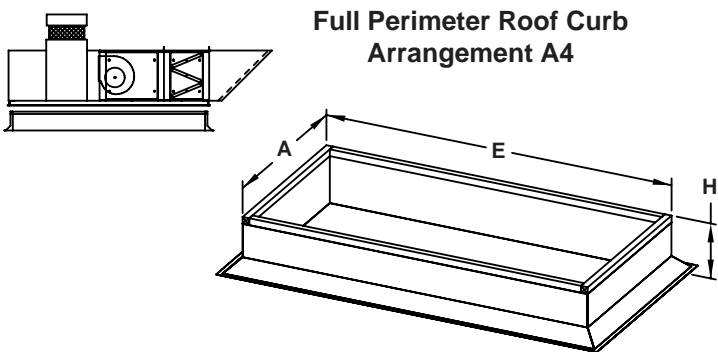
Heater + Blower + Filter + Intake



Heater + Blower + Intake with Filters



		Housing	#1	#2 #2 Wide	#3
H1	With Downturn	C	97.00	105.50	121.25
	With End Discharge	E	121.00	129.75	145.50
		D	72.00	80.50	96.25
H2	With Downturn	C	73.00	81.00	97.25
	With End Discharge	E	93.00	101.00	117.25
		D	48.00	56.00	72.25
		E	69.00	77.00	93.25



OPTIONS:


- 07 Wood Nailer - Treated
- 10 Aluminum Construction
- 11 1/4" Neoprene Gasket
- 12 Inner Liner
- 16 One Way Pitch
- 17 Two Way Pitch
- 18 Burglar Bars
- 19 Damper Shelf

NOTES:

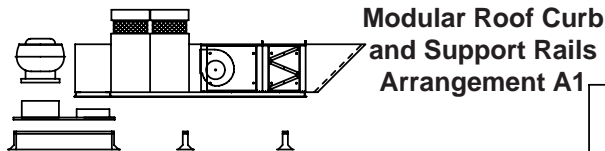
1. Standard construction - 18 gauge galvanized with fiberglass insulation.
2. See reverse side for Curb Arrangement A1.
3. Use above table to select dimension C, D or E as needed.
4. Dimensions C and D are measured from the centerlines of the curb and rail.

Qty.	Fan Size (IFG)	Housing	Curb Arrangement A2				Curb Arrangement A3			Curb Arrangement A4			Options	Tag
			A	B	C	H	A	D	H	A	E	H		
	-109/110	#1	31.00	23.00			31.00			31.00				
	-112/115	#2	39.00	23.00			39.00			39.00				
	-209/210	#2 Wide	50.50	23.00			50.50			50.50				
	-118/120	#3	50.50	23.00			50.50			50.50				

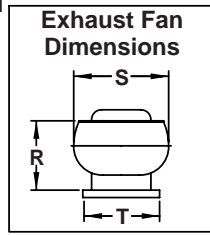
To maintain KEES' policy of continuous product improvement, we reserve the right to change prices, specifications, ratings or dimensions without notice or obligation.

Project				Location			
Engineer							 KEES INCORPORATED 400 S. Industrial Dr. • P.O. Box L Elkhart Lake, WI 53020 Phone: (920) 876-3391 Fax: (920) 876-3065 Website: www.kees.com
Architect			Dwg. No.	SD-IFG-CURB-SF			
Contractor			Date	03/06			

MODEL IFG ROOF CURBS (MULTIPLE FURNACES)



Modular Roof Curb and Support Rails Arrangement A1

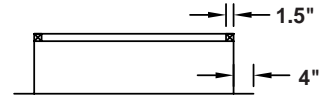


Select One Roof Curb Model

Model #1



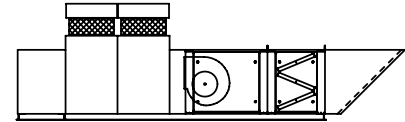
Model #3



Select One Housing Arrangement

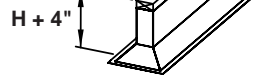
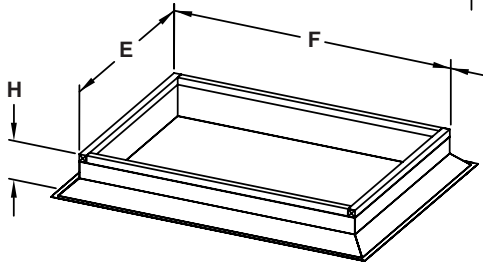
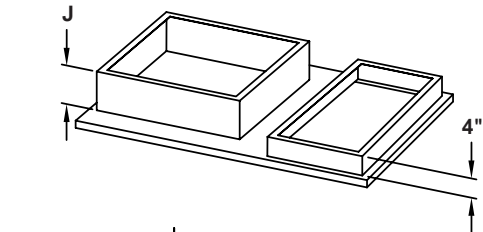
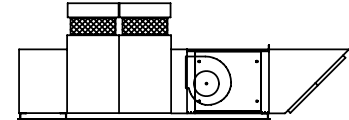
Heaters + Blower + Filter + Intake

H1

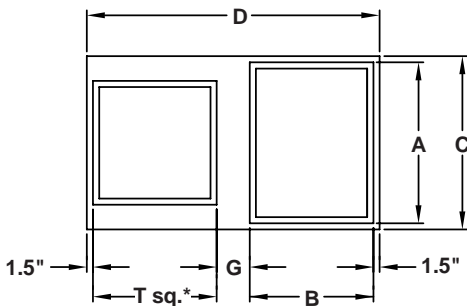


Heaters + Blower + Intake with Filters

H2



Plan View of Curb Cap



* See Note 4

$C = A + 3"$ or $T + 3"$ (largest)

$D = B + G + T + 3"$

$E = C - 1"$

$F = D - 1"$

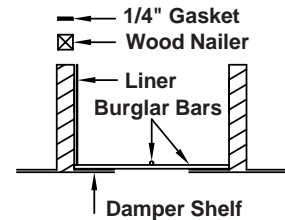
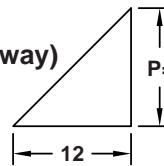
$G = \left(\frac{S-T}{2}\right) + 3"$

$J = 40" - H - R$ (4" min.)

Housing	#2 #2 Wide	#3	#3
No. of Furnaces	2	2	3
H1	K=117.25	K=133	K=159
H2	K=92.75	K=109	K=135

Note: An additional support rail is recommended on units with Dimension "K" greater than 108".

Pitch - (1 or 2-way)



OPTIONS:

- 07 Wood Nailer - Treated
- 10 Aluminum Construction
- 11 1/4" Neoprene Gasket
- 12 Inner Liner
- 16 One Way Pitch
- 17 Two Way Pitch
- 18 Burglar Bars
- 19 Damper Shelf


NOTES:

1. Standard construction - 18 gauge galvanized with fiberglass insulation.
2. See reverse side for Curb Arrangements A2, A3 & A4.
3. Use above table to select dimension K.
4. Dimension T is the actual exhaust fan curb cap I.D.. KEES will undersize by 1/2".

Qty.	Fan Size (IFG)	Housing	A	B	C	D	E	F	G	H	J	K	Exhaust Fan Make & Model or R, S and T	Options	Tag
	-112/115	#2	39.50	23.50											
	-209/210	#2 Wide	51.00	23.50											
	-118/120	#3	51.00	23.50											

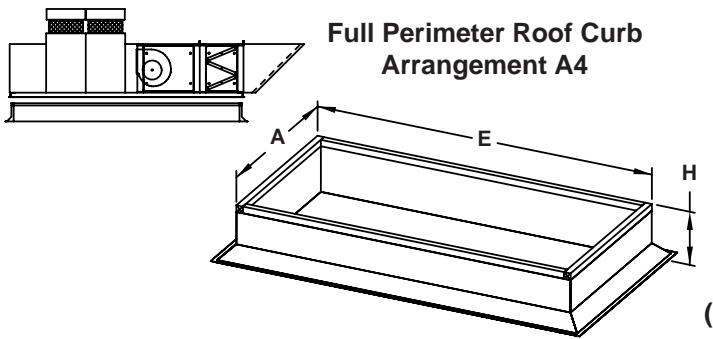
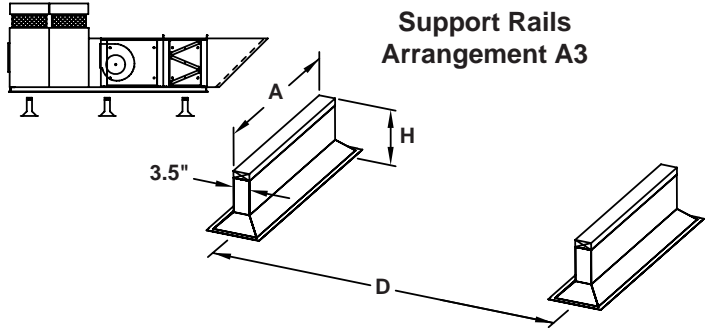
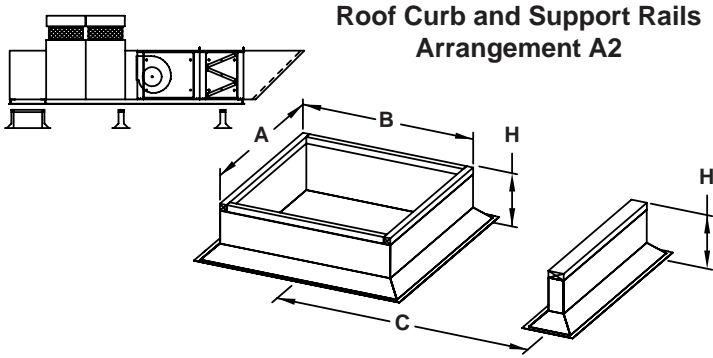
To maintain KEES' policy of continuous product improvement, we reserve the right to change prices, specifications, ratings or dimensions without notice or obligation.

Project		Location	
Engineer			
Architect		Dwg. No.	SD-IFG-CURB-MF
Contractor		Date	03/06

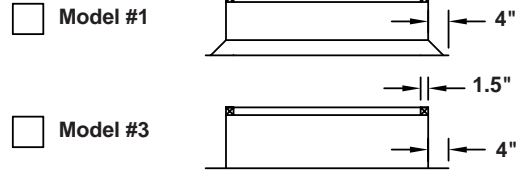


KEES INCORPORATED
 400 S. Industrial Dr. • P.O. Box L
 Elkhart Lake, WI 53020
 Phone: (920) 876-3391
 Fax: (920) 876-3065
 Website: www.kees.com

MODEL IFG ROOF CURBS (MULTIPLE FURNACES)

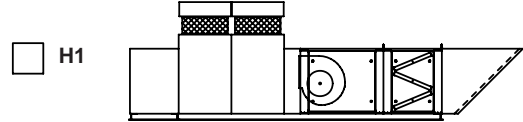


Select One Roof Curb Model

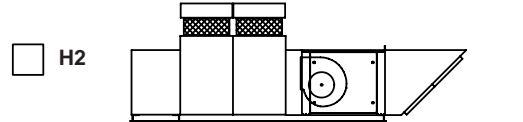


Select One Housing Arrangement

Heaters + Blower + Filter + Intake



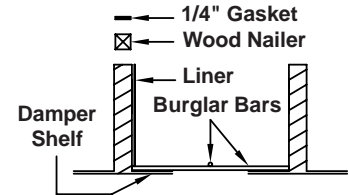
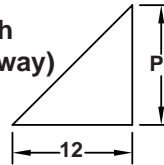
Heaters + Blower + Intake with Filters



Housing		#2	#3	#3	
No. of Furnaces		#2 Wide	2	3	
H1	With	C	131.50	147.25	173.25
	Downturn	E	155.75	171.50	197.50
H1	With End	D	106.50	122.25	148.25
	Discharge	E	131.75	147.50	173.50
H2	With	C	107.00	123.25	149.25
	Downturn	E	127.00	143.25	169.25
H2	With End	D	82.00	98.25	124.25
	Discharge	E	103.00	119.25	145.25

Note: The additional support rail in the middle of the unit is only included when Dimension "C" or "D" is greater than 108".

Pitch
(1 or 2-way)



OPTIONS:

- 07 Wood Nailer - Treated
- 10 Aluminum Construction
- 11 1/4" Neoprene Gasket
- 12 Inner Liner
- 16 One Way Pitch
- 17 Two Way Pitch
- 18 Burglar Bars
- 19 Damper Shelf

NOTES:

- Standard construction - 18 gauge galvanized with fiberglass insulation.
- See reverse side for Curb Arrangement A1.
- Use above table to select dimension C, D or E as needed.
- Dimensions C and D are measured from the centerlines of the curb and rail.

Qty.	Fan Size (IFG)	Housing	Curb Arrangement A2				Curb Arrangement A3			Curb Arrangement A4			Options	Tag
			A	B	C	H	A	D	H	A	E	H		
	-112/115	#2	39.00	23.00			39.00			39.00				
	-209/210	#2 Wide	50.50	23.00			50.50			50.50				
	-118/120	#3	50.50	23.00			50.50			50.50				

To maintain KEES' policy of continuous product improvement, we reserve the right to change prices, specifications, ratings or dimensions without notice or obligation.

Project				Location			
Engineer							<p>KEES INCORPORATED 400 S. Industrial Dr. • P.O. Box L Elkhart Lake, WI 53020 Phone: (920) 876-3391 Fax: (920) 876-3065 Website: www.kees.com</p>
Architect				Dwg. No.	SD-IFG-CURB-MF		
Contractor				Date	03/06		