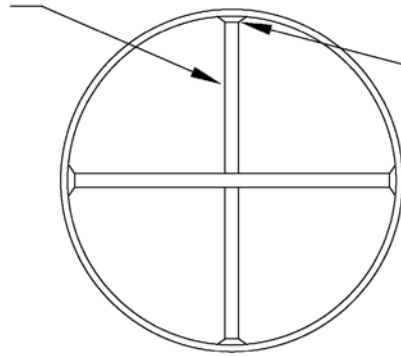


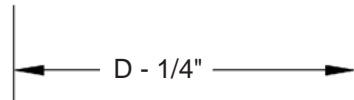
GR-B1RD ROUND SECURITY GRATES

1/2" ROUND A-36
MILD STEEL
VERTICAL BARS
6" O.C.

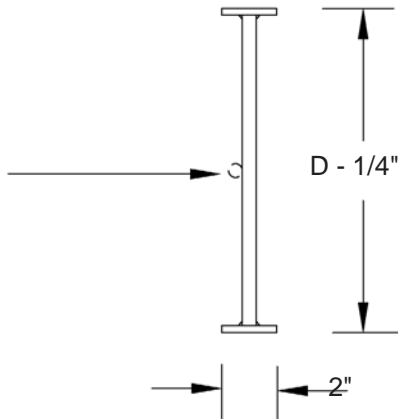


BARS WELDED TO FRAME AND
AT INTERSECTIONS

A-36 MILD STEEL FRAME WELDED
FULL LENGTH AT JOINT
2" X 3/16" ON SIZES UNDER 8"
2" X 1/4" ON SIZES 8" DIA. AND OVER




1/2" ROUND A-36
MILD STEEL
HORIZONTAL BARS
6" O.C.

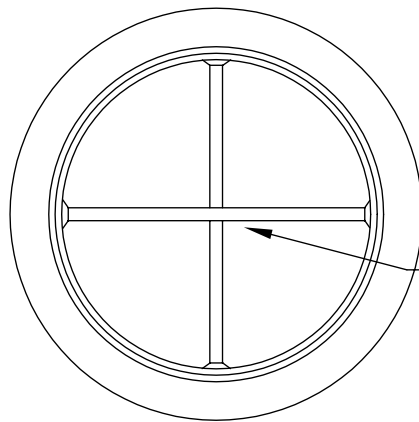


TWO PART POLYURETHANE
WHITE PRIME COAT FINISH

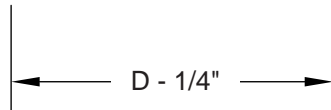
To maintain KEES' policy of continuous product improvement, we reserve the right to change prices, specifications, ratings or dimensions without notice or obligation.

Project		Location	
Architect / Engineer			 KEES INCORPORATED Elkhart Lake, WI 53020 Phone: (920) 876-3391 Fax: (920) 876-3065 Website: www.kees.com
Contractor		Dwg. No. GR-B1RDw 07/02/10	
Representative		Date	

GR-C1RD SECURITY GRATE



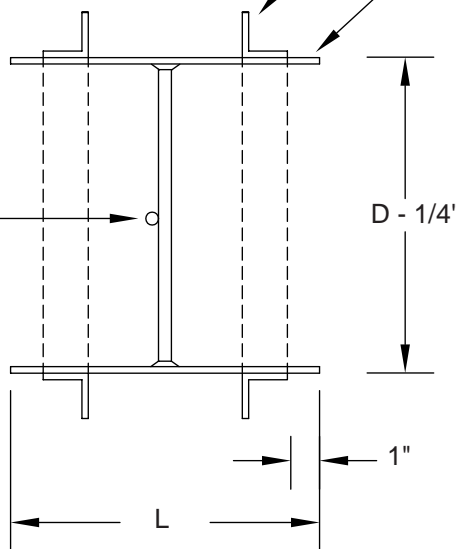
BARS ARE WELDED TO SLEEVE AND AT INTERSECTIONS



TWO ANGLE RINGS. ONE FACTORY STITCH WELDED TO SLEEVE, ONE LOOSE FOR FIELD WELDING (UNPAINTED). ANGLE SIZE VARIES WITH DIAMETER:
 6-11" DIA. 1-1/4" x 1-1/4" x 1/8"
 12-15" DIA. 1-1/2" x 1-1/2" x 1/8"
 16-24" DIA. 1-1/2" x 1-1/2" x 3/16"
 25-48" DIA. 2" x 2" x 3/16"

10 GA. STEEL SLEEVE WITH CONTINUOUSLY WELDED SEAMS

1/2" ROUND A-36 MILD STEEL BARS 6" O.C. BOTH WAYS



TWO PART POLYURETHANE WHITE PRIME COAT FINISH

BARS WILL BE CENTERED IN SLEEVE UNLESS INDICATED OTHERWISE

To maintain KEES' policy of continuous product improvement, we reserve the right to change prices, specifications, ratings or dimensions without notice or obligation.

Project		Location	
Architect / Engineer			
Contractor		Dwg. No.	GR-C1RDw 12/22/03
Representative		Date	



KEES INCORPORATED
 Elkhart Lake, WI 53020
 Phone: (920) 876-3391
 FAX: (920) 876-3065
 Website: www.kees.com