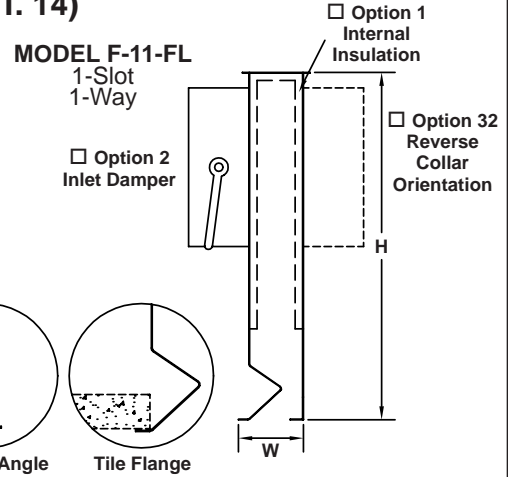
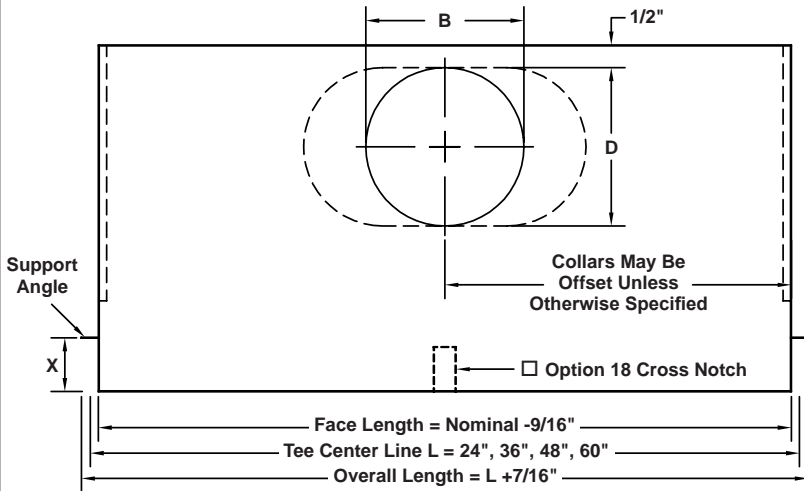
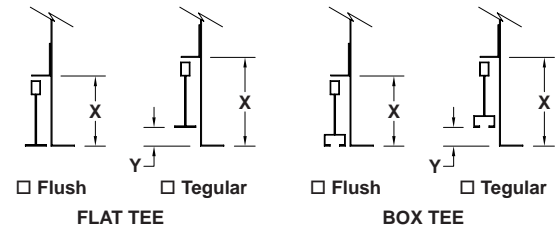


MODEL "F-FL" DIFFUSER WITH FIXED BLADE 1 thru 4 Slot Models

FOR USE WITH 9/16" WIDE TEE CEILINGS (OPT. 14)



CEILING GRID TEE STYLE



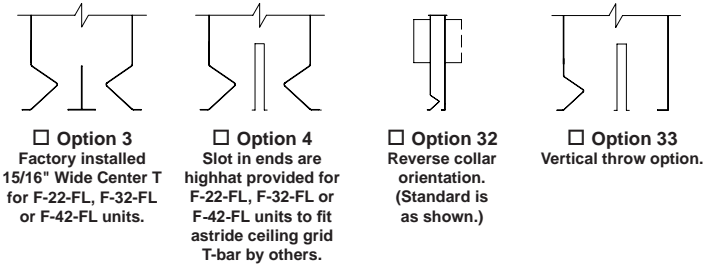
Ceiling Mfg. Name _____

Ceiling Mfg. Model _____

MODEL	DIFFUSER WIDTH W		
	ONE WAY	OPT. 3	OPT. 4
F-11-FL	1.975	-	-
F-21-FL	3.631	-	-
F-22-FL	-	4.079	4.641
F-31-FL	5.285	-	-
F-32-FL	-	5.734	6.292
F-41-FL	6.940	-	-
F-42-FL	-	7.389	7.947

NOMINAL INLET SIZE	B	D	H
6" RD.	5-7/8"	5-7/8"	11-1/4"
8" RD.	7-7/8"	7-7/8"	
10" OV.	11-1/2"	8"	11-1/4"
12" OV.	14-1/2"	8"	
10" RD.	9-7/8"	9-7/8"	13-1/4"
12" RD.	11-7/8"	11-7/8"	15-1/4"

ACCESSORY OPTIONS



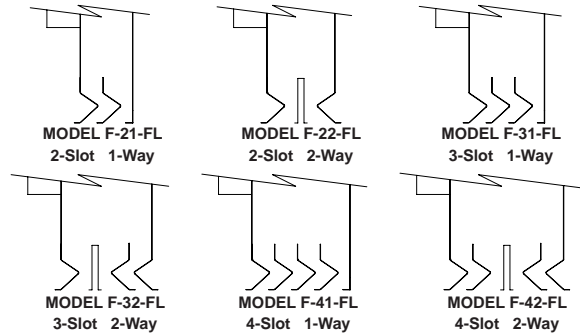
Material: 24 gauge zinc coated steel.

Finish: All white face and interior.

Insulation: 1/4" for 1 slot units and 1/2" for 2 or more slot units.

SUPPLY PATTERNS - 2, 3 & 4 SLOTS

F-22-FL, F-32-FL & F-42-FL SHOWN WITH OPTION 4



Inlet Collar Location: Inlet collar may be offset for packaging purposes.

Quantity	Model	Length L	Height H	Insulation	Collar Size	Round or Oval Collar	X	Options	Tag

To maintain KEES' policy of continuous product improvement, we reserve the right to change prices, specifications, ratings or dimensions without notice or obligation.

Project		Location	
Engineer		Dwg. No. SD-F-FL	
Architect		Date 12/09	
Contractor			

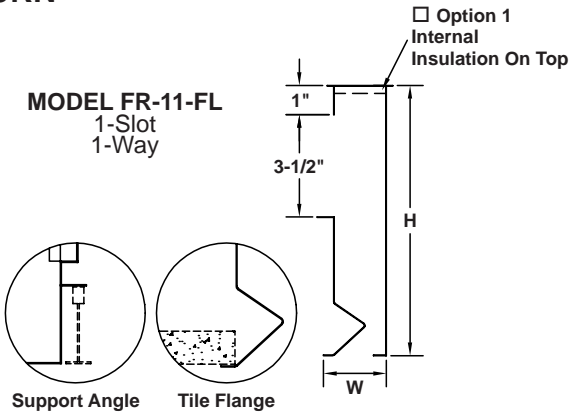
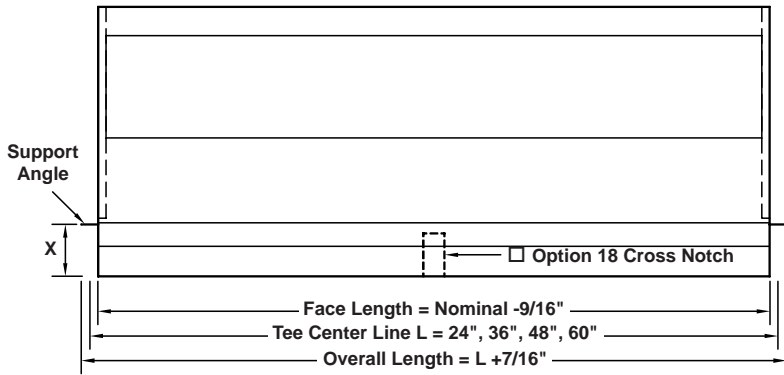


KEES INCORPORATED
 400 S. Industrial Dr. • P.O. Box L
 Elkhart Lake, WI 53020
 Phone: (920) 876-3391
 Fax: (920) 876-3065
 Website: www.kees.com

MODEL "FR-FL" DIFFUSER WITH FIXED BLADE OPEN SIDE RETURN

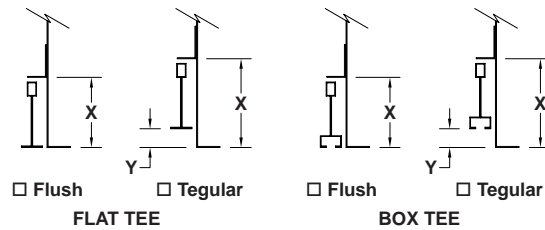
1 thru 4 Slot Models

FOR USE WITH 9/16" WIDE TEE CEILINGS



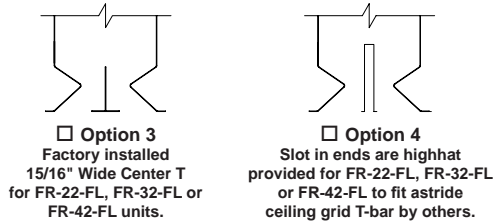
MODEL	DIFFUSER WIDTH W			H
	ONE WAY	OPT. 3	OPT. 4	
FR-11-FL	1.975	-	-	9-1/4"
FR-21-FL	3.631	-	-	
FR-22-FL	-	4.079	4.641	
FR-31-FL	5.285	-	-	
FR-32-FL	-	5.734	6.292	
FR-41-FL	6.940	-	-	
FR-42-FL	-	7.389	7.947	

CEILING GRID TEE STYLE



Ceiling Mfg. Name _____
 Ceiling Mfg. Model _____

ACCESSORY OPTIONS

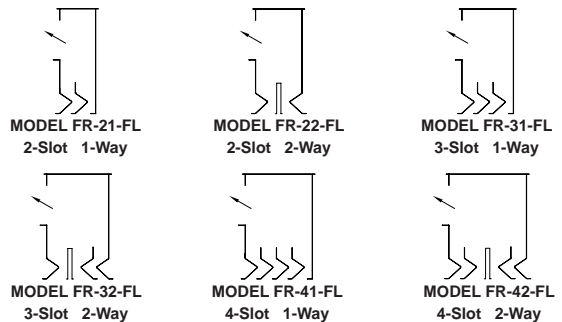


Material: 24 gauge zinc coated steel.
Finish: All white face and interior.
Insulation: 1/4" for 1 slot units and 1/2" for 2 or more slot units.

FOR DUCTED RETURN SEE REVERSE SIDE

NON-DUCTED RETURN PATTERNS - 2, 3 & 4 SLOTS

FR-22-FL, FR-32-FL & FR-42-FL SHOWN WITH OPTION 4



Quantity	Model	Length L	Insulation	X	Options	Tag

To maintain KEES' policy of continuous product improvement, we reserve the right to change prices, specifications, ratings or dimensions without notice or obligation.

Project				Location		
Engineer				Dwg. No. SD-FR-FL		KEES INCORPORATED 400 S. Industrial Dr. • P.O. Box L Elkhart Lake, WI 53020 Phone: (920) 876-3391 Fax: (920) 876-3065 Website: www.kees.com
Architect						
Contractor				Date 12/09		