



MODELS FEMA-S-EM & FEMA-S-IM

Models FEMA-S-EM and FEMA-S-IM comply with FEMA 361, and ICC 500 storm shelter and safe room standards and are built to withstand wind loads of up to 265 psf. Tested, listed and manufactured by United Enertech. U.L. File No. R27241

STANDARD CONSTRUCTION

Frame:

Welded, 8" deep x 0.25" hot rolled steel, with external flanges located at either head/sill, jambs or both.

Mounting Flange Options:

- Head/Sill flanges.
- Jamb flanges.
- Head/Sill/Jamb flanges with open corners.
- Head/Sill/Jamb flanges with closed corners.

Blades:

3" x 3" x 0.25" hot rolled steel, welded.

Screen:

0.50" x 18 ga. galvanized steel.

Finish:

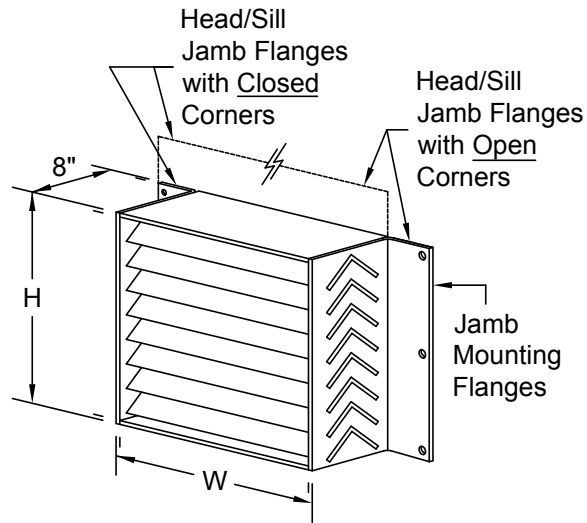
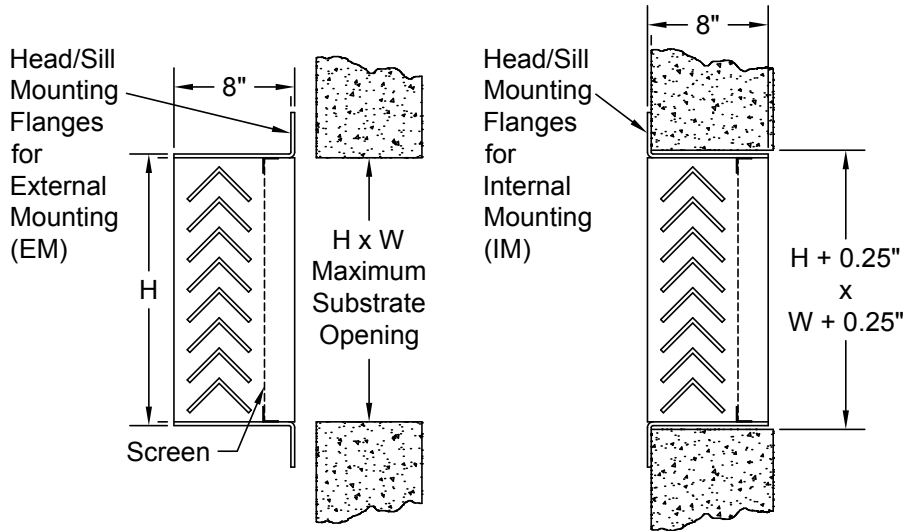
Zinc rich primer.
Optional finishes available.

Minimum Size:

12" wide x 12" high.

Maximum Single Section Size:

120" wide x 76" high or
76" wide x 120" high.



External Mount (EM) Shown,
Internal Mount (IM) Similar



Qty.	Width "W"	Height "H"	Mounting	Options	Tag

To maintain KEES' policy of continuous product development, we reserve the right to change prices, specifications, ratings and dimensions without notice or obligation.

Project		Location	
Engineer	Dwg. No.	SD-FEMA-S-EM	KEES INCORPORATED 400 S. Industrial Dr. Elkhart Lake, WI 53020 Phone: (920) 876-3391 Fax: (920) 876-3065 Website: www.kees.com
Architect	Date	07/14	
Contractor			



MODEL FEMA-A-CM

Model FEMA-A-CM complies with FEMA 361, and ICC 500 storm shelter and safe room standards.
 Model FEMA-5 is built to withstand wind loads of up to 266 psf and has 53% free area.
 Manufactured by United Eneritech.

STANDARD CONSTRUCTION

Frame:

5.5" deep x 0.25" aluminum channel mounting frame with blade braces placed at a maximum of 24" on center.

Blades:

3" x 3" x 0.25" aluminum, welded in place.

Screen:

0.50" x 18 ga. galvanized steel.

Finish:

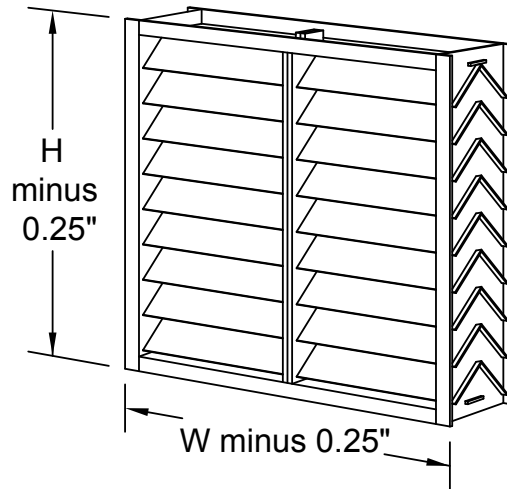
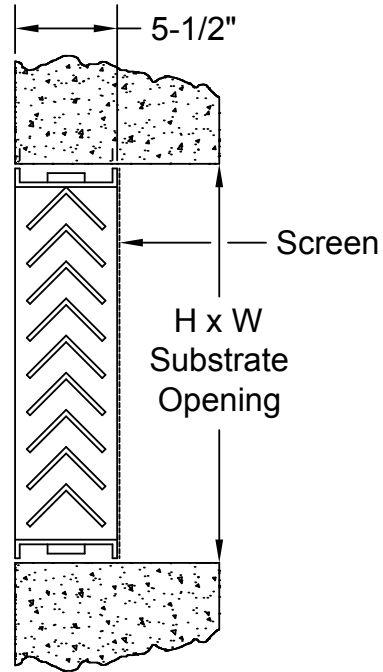
Mill.
 Optional finishes available.

Minimum Size:

12" wide x 12" high.

Maximum Single Section Size:

84" wide x 96" high.



Qty.	Width "W"	Height "H"	Options	Tag

To maintain KEES' policy of continuous product development, we reserve the right to change prices, specifications, ratings and dimensions without notice or obligation.

Project		Location	
Engineer		Dwg. No.	SD-FEMA-A-CM
Architect		Date	07/14
Contractor			



KEES INCORPORATED
 400 S. Industrial Dr.
 Elkhart Lake, WI 53020
 Phone: (920) 876-3391
 Fax: (920) 876-3065
 Website: www.kees.com