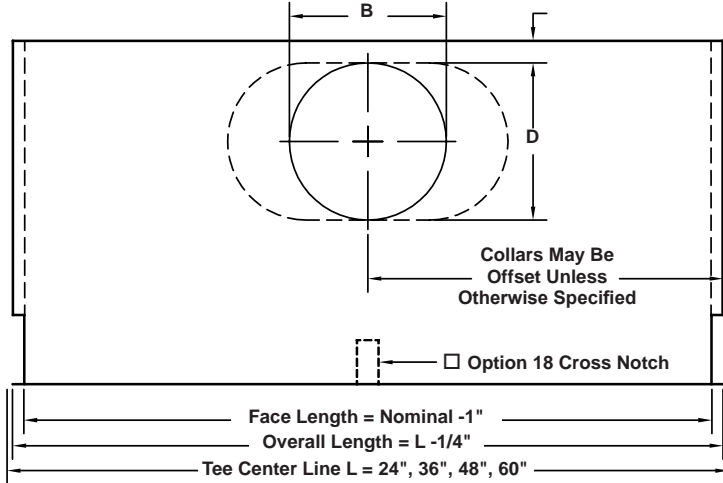
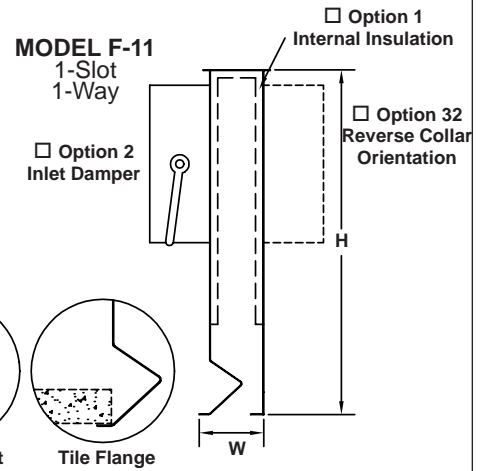


MODEL "F" DIFFUSER WITH FIXED BLADE FOR USE WITH 15/16" WIDE TEE CEILINGS



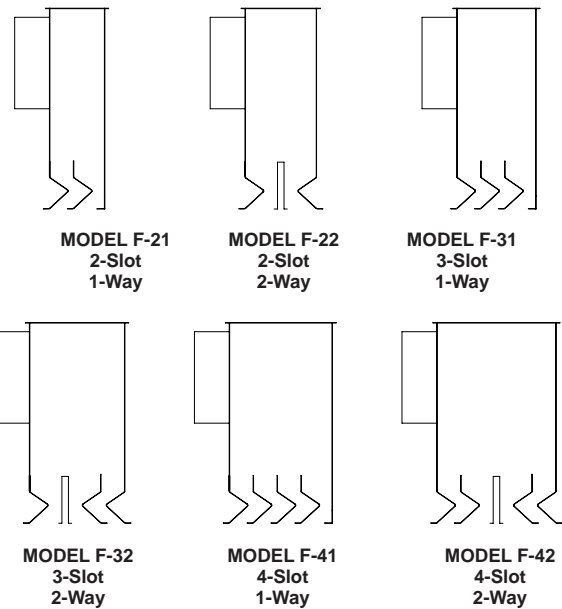
1 thru 4 Slot Models



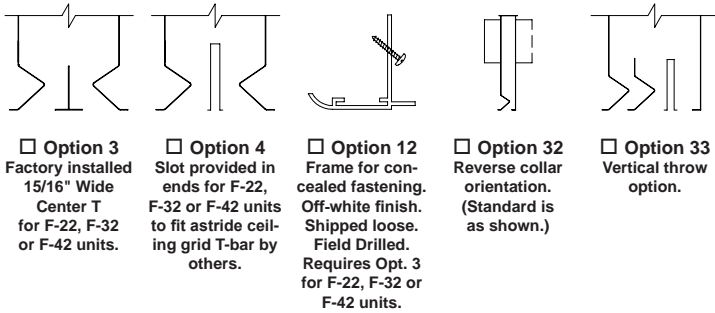
MODEL	DIFFUSER WIDTH W		
	ONE WAY	OPT. 3	OPT. 4
F-11	1.975	-	-
F-21	3.631	-	-
F-22	-	4.079	4.641
F-31	5.285	-	-
F-32	-	5.734	6.292
F-41	6.940	-	-
F-42	-	7.389	7.947

NOMINAL INLET SIZE	B	D	H
6" RD.	5-7/8"	5-7/8"	11-1/4"
8" RD.	7-7/8"	7-7/8"	
10" OV.	11-1/2"	8"	
12" OV.	14-1/2"	8"	13-1/4"
10" RD.	9-7/8"	9-7/8"	
12" RD.	11-7/8"	11-7/8"	

SUPPLY PATTERNS - 2, 3 & 4 SLOTS F-22, F-32 & F-42 SHOWN WITH OPTION 4



ACCESSORY OPTIONS




Material: 24 gauge zinc coated steel.
Finish: All white face and interior.
Insulation: 1/4" for 1 slot units and 1/2" for 2 or more slot units.

Inlet Collar Location:
 Inlet collar may be offset for packaging purposes.

Quantity	Model	Length L	Height H	Insulation	Collar Size	Round or Oval Collar	Options	Tag

To maintain KEES' policy of continuous product improvement, we reserve the right to change prices, specifications, ratings or dimensions without notice or obligation.

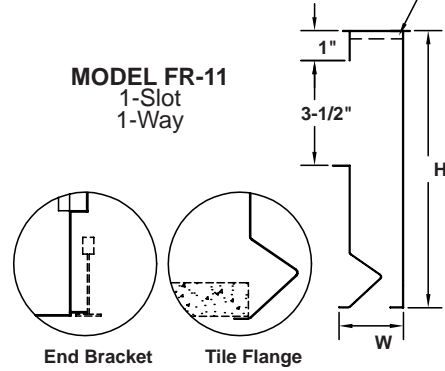
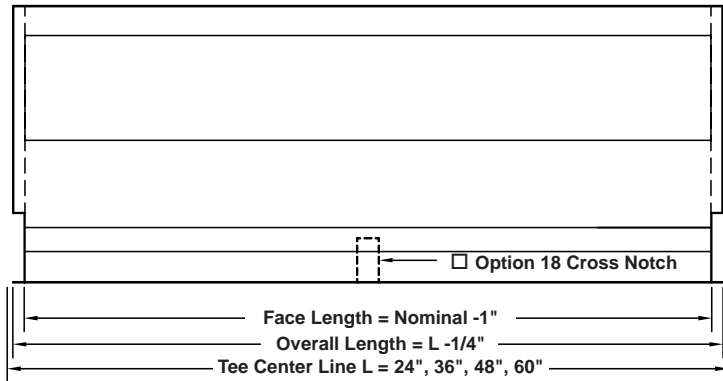
Project				Location				
Engineer						 KEES INCORPORATED 400 S. Industrial Dr. • P.O. Box L Elkhart Lake, WI 53020 Phone: (920) 876-3391 Fax: (920) 876-3065 Website: www.kees.com		
Architect				Dwg. No.	SD-F			
Contractor				Date	12/09			

MODEL "FR" DIFFUSER WITH FIXED BLADE OPEN SIDE RETURN

1 thru 4 Slot Models

FOR USE WITH 15/16" WIDE TEE CEILINGS

Option 1
Internal
Insulation On Top



**FOR DUCTED RETURN
SEE REVERSE SIDE**

MODEL	DIFFUSER WIDTH W			H
	ONE WAY	OPT. 3	OPT. 4	
F-11	1.975	-	-	9-1/4"
F-21	3.631	-	-	
F-22	-	4.079	4.641	
F-31	5.285	-	-	
F-32	-	5.734	6.292	
F-41	6.940	-	-	
F-42	-	7.389	7.947	

NON-DUCTED RETURN PATTERNS - 2, 3 & 4 SLOTS
FR-22, FR-32 & FR-42 SHOWN WITH OPTION 4

ACCESSORY OPTIONS

- Option 3**
Factory installed 15/16" Wide Center T for FR-22, FR-32 or FR-42 units.
- Option 4**
Slot provided in ends for FR-22, FR-32 or FR-42 units to fit astride ceiling grid T-bar by others.
- Option 12**
Frame for concealed fastening. Off-white finish. Shipped loose. Field Drilled. Requires Opt. 3 for FR-22, FR-32 or FR-42 units.

Material: 24 gauge zinc coated steel.
Finish: All white face and interior.
Insulation: 1/4" for 1 slot units and 1/2" for 2 or more slot units.

Quantity	Model	Length L	Insulation	Options	Tag

To maintain KEES' policy of continuous product improvement, we reserve the right to change prices, specifications, ratings or dimensions without notice or obligation.

Project				Location			
Engineer				KEES INCORPORATED 400 S. Industrial Dr. • P.O. Box L Elkhart Lake, WI 53020 Phone: (920) 876-3391 Fax: (920) 876-3065 Website: www.kees.com			
Architect			Dwg. No.				SD-FR
Contractor			Date				12/09