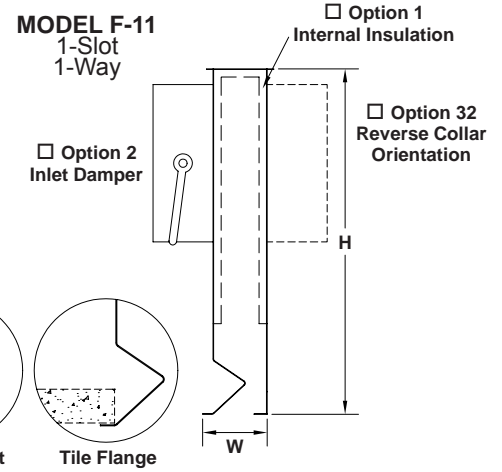
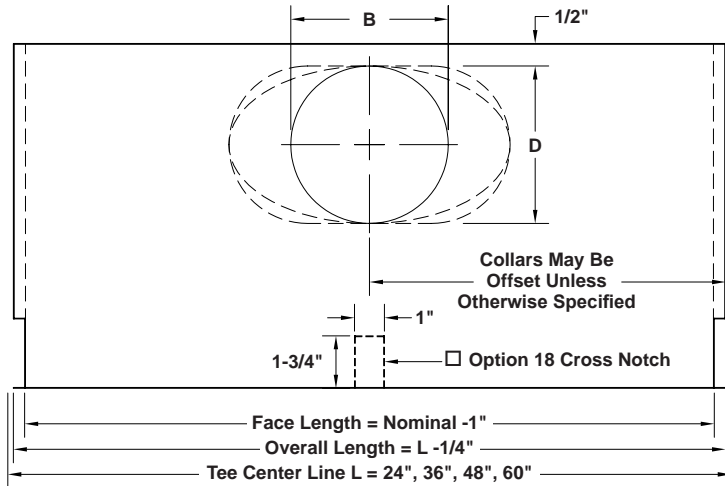


MODEL "F" DIFFUSER WITH FIXED BLADE

FOR USE WITH 15/16" WIDE TEE CEILINGS

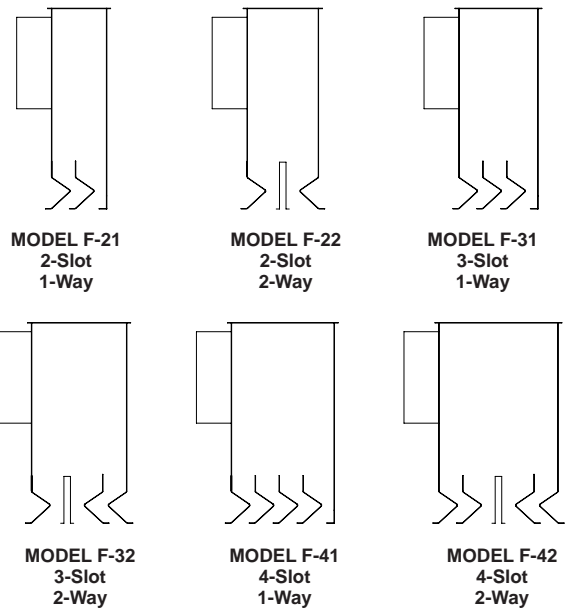
1 thru 4 Slot Models



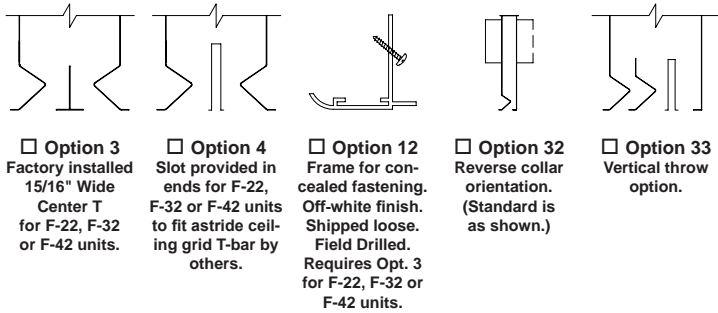
MODEL	DIFFUSER WIDTH W			NOMINAL INLET SIZE	B	D	H
	ONE WAY	OPT. 3	OPT. 4				
F-11	1.975	-	-	6" RD.	5-7/8"	5-7/8"	11-1/4"
F-21	3.631	-	-	8" RD.	7-7/8"	7-7/8"	
F-22	-	4.079	4.641	10" OV.	11-1/2"	8"	
F-31	5.285	-	-	12" SLOT	14-1/2"	8"	13-1/4"
F-32	-	5.734	6.292	10" RD.	9-7/8"	9-7/8"	
F-41	6.940	-	-	12" OV.	13-7/8"	9-9/16"	
F-42	-	7.389	7.947	12" RD.	11-7/8"	11-7/8"	15-1/4"

SUPPLY PATTERNS - 2, 3 & 4 SLOTS

F-22, F-32 & F-42 SHOWN WITH OPTION 4



ACCESSORY OPTIONS



Material: 24 gauge zinc coated steel.

Finish: All white face and interior.


Insulation: 1/4" for 1 slot units and 1/2" for 2 or more slot units.

Inlet Collar Location:

Inlet collar may be offset for packaging purposes.

Quantity	Model	Length L	Height H	Insulation	Collar Size	Round or Oval Collar	Options	Tag

To maintain KEES' policy of continuous product improvement, we reserve the right to change prices, specifications, ratings or dimensions without notice or obligation.

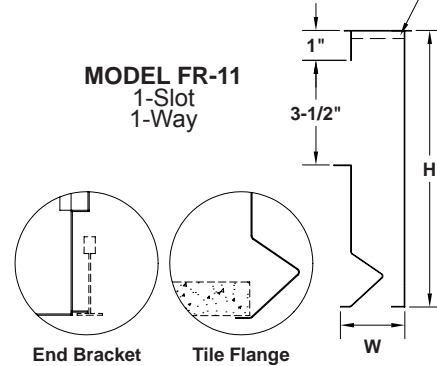
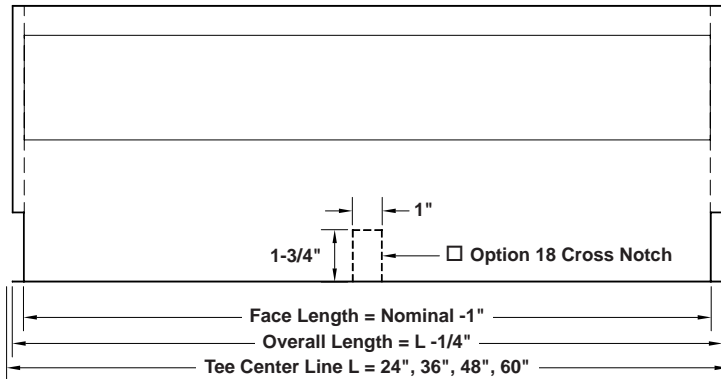
Project				Location						
Engineer				 KEES INCORPORATED 400 S. Industrial Dr. Elkhart Lake, WI 53020 Phone: (920) 876-3391 Fax: (920) 876-3065 Website: www.kees.com						
Architect										
Contractor									Dwg. No.	SD-F
			Date						05/10	

MODEL "FR" DIFFUSER WITH FIXED BLADE OPEN SIDE RETURN

1 thru 4 Slot Models

FOR USE WITH 15/16" WIDE TEE CEILINGS

Option 1
Internal
Insulation On Top



FOR DUCTED RETURN
SEE REVERSE SIDE

MODEL	DIFFUSER WIDTH W			H
	ONE WAY	OPT. 3	OPT. 4	
F-11	1.975	-	-	9-1/4"
F-21	3.631	-	-	
F-22	-	4.079	4.641	
F-31	5.285	-	-	
F-32	-	5.734	6.292	
F-41	6.940	-	-	
F-42	-	7.389	7.947	

NON-DUCTED RETURN PATTERNS - 2, 3 & 4 SLOTS
FR-22, FR-32 & FR-42 SHOWN WITH OPTION 4

MODEL FR-21 2-Slot 1-Way
MODEL FR-22 2-Slot 2-Way
MODEL FR-31 3-Slot 1-Way
MODEL FR-32 3-Slot 2-Way
MODEL FR-41 4-Slot 1-Way
MODEL FR-42 4-Slot 2-Way


ACCESSORY OPTIONS

- Option 3
Factory installed 15/16" Wide Center T for FR-22, FR-32 or FR-42 units.
- Option 4
Slot provided in ends for FR-22, FR-32 or FR-42 units to fit astride ceiling grid T-bar by others.
- Option 12
Frame for concealed fastening. Off-white finish. Shipped loose. Field Drilled. Requires Opt. 3 for FR-22, FR-32 or FR-42 units.

Material: 24 gauge zinc coated steel.
Finish: All white face and interior.
Insulation: 1/4" for 1 slot units and 1/2" for 2 or more slot units.

Quantity	Model	Length L	Insulation	Options	Tag

To maintain KEES' policy of continuous product improvement, we reserve the right to change prices, specifications, ratings or dimensions without notice or obligation.

Project		Location		 KEES INCORPORATED 400 S. Industrial Dr. Elkhart Lake, WI 53020 Phone: (920) 876-3391 Fax: (920) 876-3065 Website: www.kees.com
Engineer		Dwg. No.	SD-FR	
Architect		Date	05/10	
Contractor				