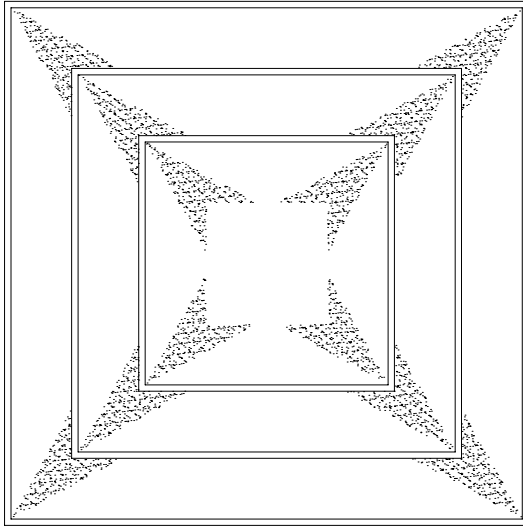
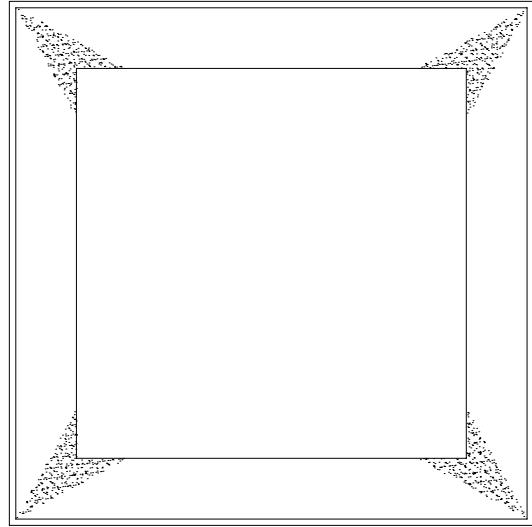




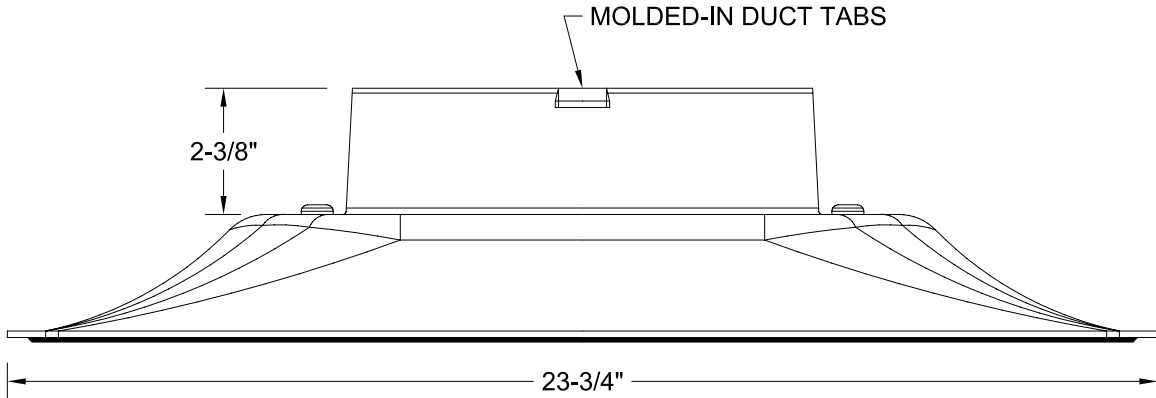
# THREE CONE or PLAQUE STYLE ENGINEERED POLYMER DIFFUSER Model EP22



**THREE CONE**



**PLAQUE**




FINISH: White

OPTIONS: Available in black,  
Three cone or plaque.

Cone mounting screws are aluminum.

Qty.	Listed Size	Lay-In Grid	Style	Neck Size	Finish	Tag
	24" x 24"	24" x 24"		6"		
	24" x 24"	24" x 24"		8"		
	24" x 24"	24" x 24"		10"		
	24" x 24"	24" x 24"		12"		
	24" x 24"	24" x 24"		14"		

To maintain KEES' policy of continuous product development, we reserve the right to change prices, specifications, ratings and dimensions without notice or obligation.

<b>Project</b>		<b>Location</b>		 <b>KEES INCORPORATED</b> 400 S. Industrial Dr. Elkhart Lake, WI 53020 Phone: (920) 876-3391 Fax: (920) 876-3065 Website: www.kees.com
<b>Engineer</b>		<b>Dwg. No.</b>	<b>SD-EP22</b>	
<b>Architect</b>		<b>Date</b>	<b>10/13</b>	
<b>Contractor</b>				