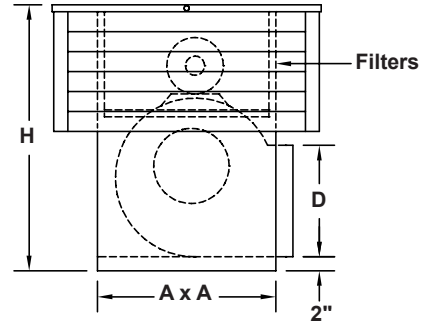
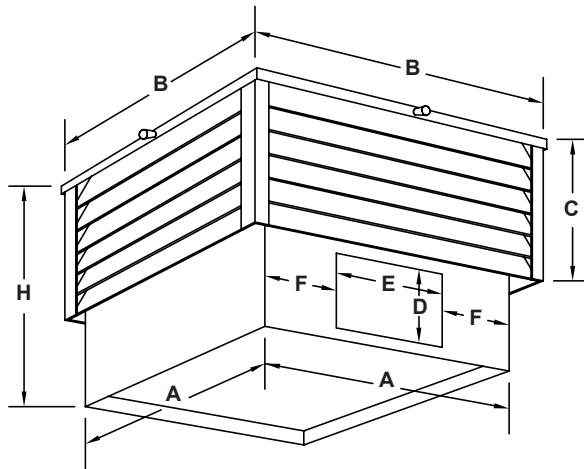


MODEL EKS-SD: Side Discharge Unit



| Model Number | Unit Dimensions (Inches) | | | | | | | Filters - 1 In. | Roof Curb O.D. | Wheels | | | Wgt. |
|--------------|--------------------------|----|----|-------|-------|--------|-------|-----------------|----------------|--------|--------|-------------|------|
| | A | B | C | D | E | F | H | | | Dia. | Width | Outlet Area | |
| EKS-10-SD | 26 | 34 | 20 | 11.50 | 13.00 | 6.50 | 34.50 | (4) 16 x 20 | 25 x 25 | 10-5/8 | 10-5/8 | 1.015 | 150 |
| EKS-12-SD | 32 | 40 | 24 | 13.50 | 16.00 | 8.00 | 40.50 | (4) 20 x 25 | 31 x 31 | 12-5/8 | 12-5/8 | 1.440 | 220 |
| EKS-15-SD | 32 | 40 | 24 | 16.00 | 19.00 | 6.50 | 43.00 | (4) 20 x 25 | 31 x 31 | 15 | 15 | 2.010 | 220 |
| EKS-18-SD | 36 | 44 | 26 | 19.00 | 22.00 | 7.00 | 48.00 | (4) 20 x 28 | 35 x 35 | 18-1/8 | 18 | 2.870 | 310 |
| EKS-20-SD | 46 | 54 | 28 | 24.75 | 22.75 | 11.625 | 55.75 | (8) 25 x 20 | 45 x 45 | 20 | 18 | 3.880 | 540 |

| Qty. | Model | CFM | SP | BHP | RPM | Motor Information | | | | Tag |
|------|-------|-----|----|-----|-----|-------------------|-------|-------|-----------|-----|
| | | | | | | HP | Volts | Phase | Enclosure | |
| | | | | | | | | | | |
| | | | | | | | | | | |
| | | | | | | | | | | |
| | | | | | | | | | | |

Standard unit includes 4 inch deep extruded aluminum mill finish louver Model L storm proof blade on 4 sides, removable aluminum insulated cover for access to filters, blower and motor. Motor is open drip NEMA frame ball bearing with adjustable V-drive mounted on rubber isolation; double width forward curved blower, and 1 inch washable aluminum mesh filters, (other type filters available), all in an 18 gauge galvanized steel housing. Optional louver finishes include 204R1 anodize, 312E Duranodic, or painted finish.

Options

- Louver Finish: Mill , 204R1 , 312E , or Painted (Paint Color _____)
- Aluminum Housing Hinged Cover Locking Hasp Disconnect Switch
- Motorized Damper Size _____ Voltage _____ (Damper and actuator are shipped loose for field mounting.)
- Alternate Filters: _____
- Other Modifications: _____

To maintain KEES' policy of continuous product development, we reserve the right to change prices, specifications, ratings and dimensions without notice or obligation.

| | | | |
|-------------------|--|-----------------|------------------|
| Project | | Location | |
| Engineer | | Dwg. No. | SD-EKS-SD |
| Architect | | Date | 04/08 |
| Contractor | | | |



KEES INCORPORATED
 400 S. Industrial Dr.
 Elkhart Lake, WI 53020
 Phone: (920) 876-3391
 Fax: (920) 876-3065
 Website: www.kees.com