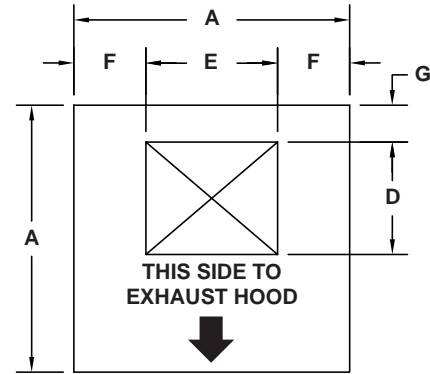
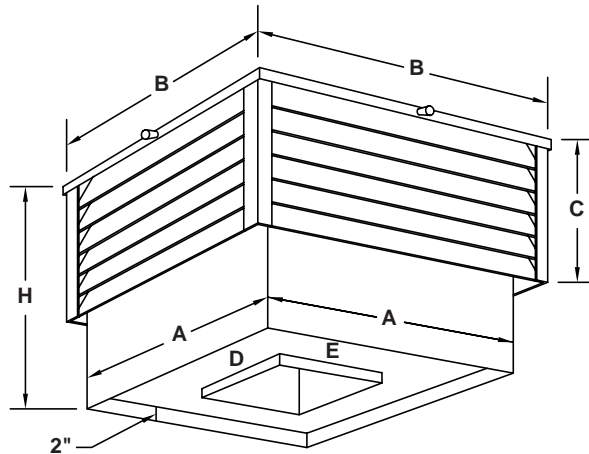


MODEL EKS — Louvered Roof Supply Unit Filtered



Model Number	Unit Dimensions (Inches)								Filters - 1 In.	Roof Curb O.D.	Wheels		Outlet Area	Wgt.
	A	B	C	D	E	F	G	H			Dia.	Width		
EKS-10	26	34	20	11.50	13.00	6.50	5.00	28.50	(4) 16 x 20	25 x 25	10-5/8	10-5/8	1.015	150
EKS-12	32	40	24	13.50	16.00	8.00	5.25	32.50	(4) 20 x 25	31 x 31	12-5/8	12-5/8	1.440	220
EKS-15	32	40	24	16.00	19.00	6.50	5.25	32.50	(4) 20 x 25	31 x 31	15	15	2.010	220
EKS-18	36	44	26	19.00	22.00	7.00	5.25	38.25	(4) 20 x 28	35 x 35	18-1/8	18	2.870	310
EKS-20	46	54	28	24.75	22.75	11.625	6.00	48.00	(8) 25 x 20	45 x 45	20	18	3.880	540


						Motor Information					
Qty.	Model	CFM	SP	BHP	RPM	HP	Volts	Phase	Enclosure	Tag	

Standard unit includes 4 inch deep extruded aluminum mill finish louver Model L storm proof blade on 4 sides, removable aluminum insulated cover for access to filters, blower and motor. Motor is open drip NEMA frame ball bearing with adjustable V-drive mounted on rubber isolation; double width forward curved blower, and 1 inch washable aluminum mesh filters, (other type filters available), all in an 18 gauge galvanized steel housing. Optional louver finishes include 204R1 anodize, 312E Duranodic, or painted finish.

Options

- Louver Finish: Mill , 204R1 , 312E , or Painted (Paint Color _____)
- Aluminum Housing Hinged Cover Locking Hasp Disconnect Switch
- Motorized Damper Size _____ Voltage _____ (Damper and actuator are shipped loose for field mounting.)
- Alternate Filters: _____
- Other Modifications: _____

To maintain KEES' policy of continuous product improvement, we reserve the right to change prices, specifications, ratings or dimensions without notice or obligation.

Project		Location		 KEES INCORPORATED 400 S. Industrial Dr. • P.O. Box L Elkhart Lake, WI 53020 Phone: (920) 876-3391 Fax: (920) 876-3065 Website: www.kees.com
Engineer		Dwg. No.	SD-EKS	
Architect		Date	04/08	
Contractor				