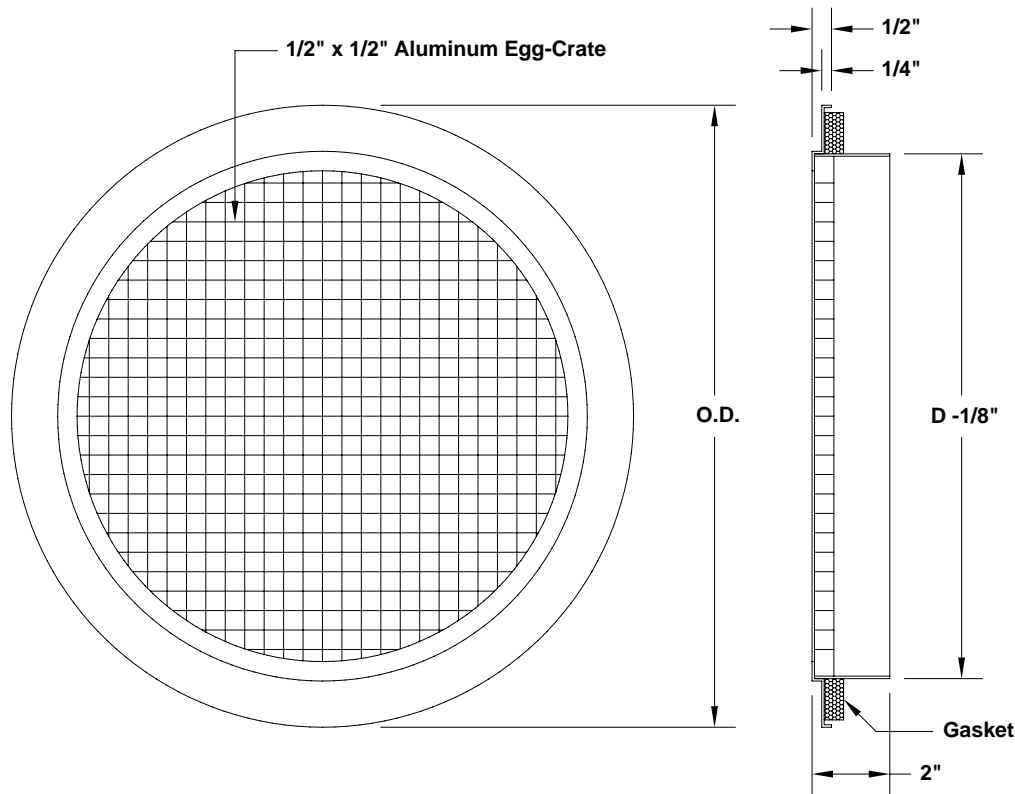




ALUMINUM ROUND EGG-CRATE GRILLE



Available Standard Finishes:

- White Powder Coat
- Gloss Black Powder Coat
- Flat Black Powder Coat
- Silver Metallic Powder Coat
- Primer
- Mill Aluminum
- "Anodized" Powder Coat

Material:

- Heavy Gauge Aluminum Construction
- 1/2" x 1/2" Aluminum Egg-Crate
- Foam Gasket

Mounting:

- Concealed Mounting Tabs

Options:

- Round Damper (Steel) Shipped Loose for Duct Mounting
- Screws and Screw Holes for Surface Mounting

Qty.	Model	Size - D	O.D.	Finish	Options	Tag
	AREC-06	6"	8.25"			
	AREC-08	8"	10.25"			
	AREC-10	10"	12.25"			
	AREC-12	12"	14.25"			
	AREC-14	14"	16.25"			
	AREC-16	16"	18.25"			
	AREC-18	18"	20.25"			
	AREC-20	20"	22.25"			
	AREC-22	22"	24.25"			
	AREC-24	24"	26.25"			
	AREC-30	30"	32.25"			

To maintain KEES' policy of continuous product development, we reserve the right to change prices, specifications, ratings and dimensions without notice or obligation.

Project		Location	
Engineer		Dwg. No.	SD-AREC
Architect		Date	02/13
Contractor			



KEES INCORPORATED
 400 S. Industrial Dr.
 Elkhart Lake, WI 53020
 Phone: (920) 876-3391
 Fax: (920) 876-3065
 Website: www.kees.com