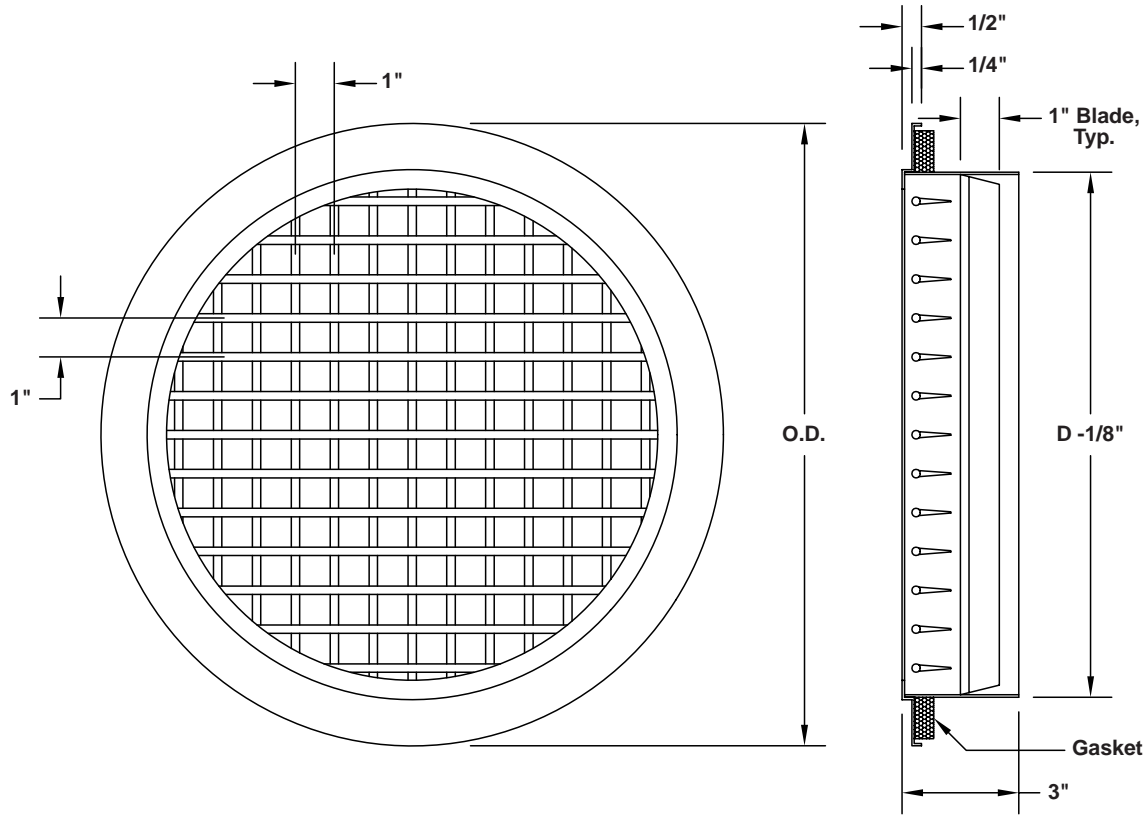




ALUMINUM ROUND DOUBLE DEFLECTION GRILLE WITH 1" BLADE SPACING



Available Standard Finishes:

- White Powder Coat
- Gloss Black Powder Coat
- Flat Black Powder Coat
- Silver Metallic Powder Coat
- Primer
- Mill Aluminum

Material:

- Heavy Gauge Aluminum Construction
- 1" Extruded Airfoil Blades with 1" Spacing
- Foam Gasket

Mounting:

- Concealed Mounting Tabs

Options:

- Round Damper (Steel) Shipped Loose for Duct Mounting
- Screws and Screw Holes for Surface Mounting

Qty.	Model	Size - D	O.D.	Finish	Options	Tag
	ARDD-06	6	8			
	ARDD-08	8	10			
	ARDD-10	10	12			
	ARDD-12	12	14			
	ARDD-14	14	16			
	ARDD-16	16	18			
	ARDD-18	18	20			
	ARDD-20	20	22			
	ARDD-22	22	24			
	ARDD-24	24	26			

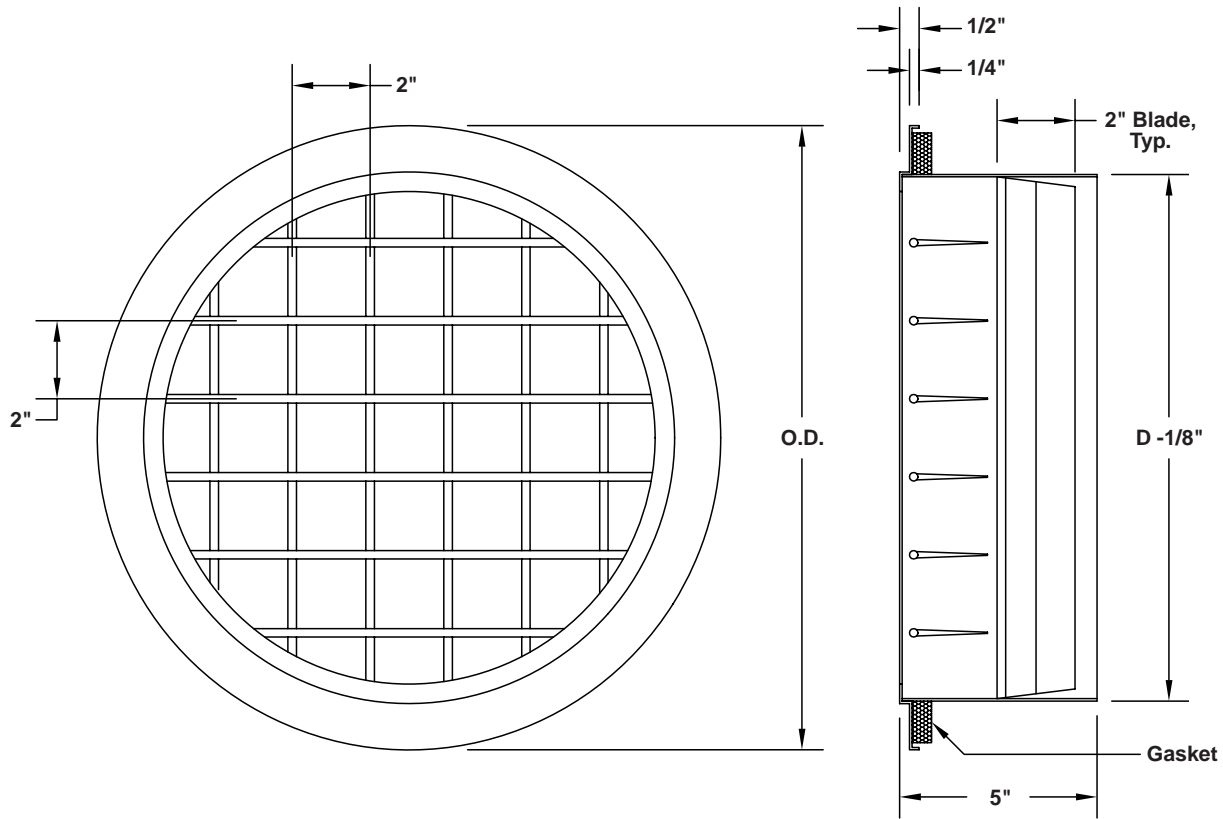
To maintain KEES' policy of continuous product improvement, we reserve the right to change prices, specifications, ratings or dimensions without notice or obligation.

Project		Location	
Engineer			
Architect		Dwg. No.	SD-ARDD
Contractor		Date	01/09

KEES INCORPORATED
 400 S. Industrial Dr. • P.O. Box L
 Elkhart Lake, WI 53020
 Phone: (920) 876-3391
 Fax: (920) 876-3065
 Website: www.kees.com



ALUMINUM ROUND DOUBLE DEFLECTION GRILLE WITH 2" BLADE SPACING



Available Standard Finishes:

- White Powder Coat
- Gloss Black Powder Coat
- Flat Black Powder Coat
- Silver Metallic Powder Coat
- Primer
- Mill Aluminum

Material:

- Heavy Gauge Aluminum Construction
- 2" Extruded Airfoil Blades with 2" Spacing
- Foam Gasket

Mounting:

- Concealed Mounting Tabs

Options:

- Round Damper (Steel) Shipped Loose for Duct Mounting
- Screws and Screw Holes for Surface Mounting

Qty.	Model	Size - D	O.D.	Finish	Options	Tag
	ARDD2-08	8	10			
	ARDD2-10	10	12			
	ARDD2-12	12	14			
	ARDD2-14	14	16			
	ARDD2-16	16	18			
	ARDD2-18	18	20			
	ARDD2-20	20	22			
	ARDD2-22	22	24			
	ARDD2-24	24	26			

To maintain KEES' policy of continuous product improvement, we reserve the right to change prices, specifications, ratings or dimensions without notice or obligation.

Project		Location		<p>KEES INCORPORATED 400 S. Industrial Dr. • P.O. Box L Elkhart Lake, WI 53020 Phone: (920) 876-3391 Fax: (920) 876-3065 Website: www.kees.com</p>
Engineer		Dwg. No.	SD-ARDD2	
Architect		Date	01/09	
Contractor				