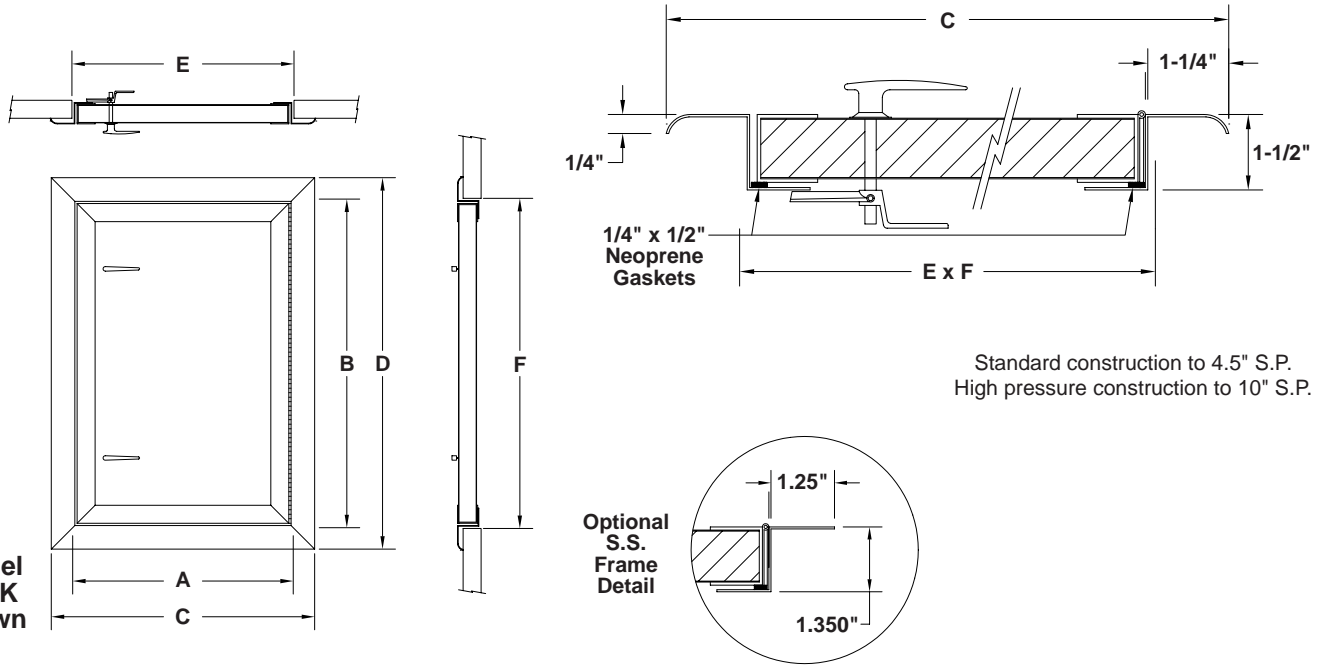


Model
AD-K
shown




Standard construction to 4.5" S.P.
High pressure construction to 10" S.P.

Clear Opening Dimensions = Frame Neck O.D. Minus 2.125"

Qty.	Model	Size	Frame Neck O.D. Nominal Size		Frame Outside Dimension		Duct Opening Dimension		No. of Latches	High Pressure No. of Latches	Construction Details
			A	B	C	D	E	F			
		18 x 36	18	36	20-1/2	38-1/2	18-1/4	36-1/4	2	2	Hinge always furnished on height "B" dimension. FLANGED FRAME .060 - 6063 extruded aluminum DOOR PANEL FRAME .060 - 6063 extruded aluminum DOOR PANEL 24 ga. galvanized steel HANDLES Work from inside and outside INSULATION 1 in. fiberglass GASKET Closed cell neoprene gasket HINGE Continuous steel - zinc-plated
		18 x 48	18	48	20-1/2	50-1/2	18-1/4	48-1/4	2	3	
		18 x 54	18	54	20-1/2	56-1/2	18-1/4	54-1/4	3	3	
		18 x 60	18	60	20-1/2	62-1/2	18-1/4	60-1/4	3	3	
		18 x 72	18	72	20-1/2	74-1/2	18-1/4	72-1/4	3	3	
		18 x 84	18	84	20-1/2	86-1/2	18-1/4	84-1/4	3	3	
		18 x 96	18	96	20-1/2	98-1/2	18-1/4	96-1/4	3	3	
		24 x 36	24	36	26-1/2	38-1/2	24-1/4	36-1/4	2	4	OPTIONAL PLEXIGLASS VIEW-PORT 6-3/4" round double pane (Models ADG-K or ADG-K-HP). Advise if hinge is on left or right side, facing door from outside. OPTIONAL S.S. CONSTRUCTION Stainless steel door, frame and hinge OPTIONAL ALL ALUM. CONSTRUCTION Standard construction with aluminum door panel * Use AD2-K-HP All materials are mill finish.
		24 x 48	24	48	26-1/2	50-1/2	24-1/4	48-1/4	2	5	
		24 x 54	24	54	26-1/2	56-1/2	24-1/4	54-1/4	3	5	
		24 x 60	24	60	26-1/2	62-1/2	24-1/4	60-1/4	3	5	
		24 x 72	24	72	26-1/2	74-1/2	24-1/4	72-1/4	3	5	
		24 x 84	24	84	26-1/2	86-1/2	24-1/4	84-1/4	3	5	
		24 x 96	24	96	26-1/2	98-1/2	24-1/4	96-1/4	3	5	
		30 x 60	30	60	32-1/2	62-1/2	30-1/4	60-1/4	5	5	
		30 x 72	30	72	32-1/2	74-1/2	30-1/4	72-1/4	5	5	
		30 x 84	30	84	32-1/2	86-1/2	30-1/4	84-1/4	5	*	
		30 x 96	30	96	32-1/2	98-1/2	30-1/4	96-1/4	5	*	
		36 x 60	36	60	38-1/2	62-1/2	36-1/4	60-1/4	5	5	
		36 x 72	36	72	38-1/2	74-1/2	36-1/4	72-1/4	5	5	
		36 x 84	36	84	38-1/2	86-1/2	36-1/4	84-1/4	5	*	
		36 x 96	36	96	38-1/2	98-1/2	36-1/4	96-1/4	5	*	

To maintain KEES' policy of continuous product improvement, we reserve the right to change prices, specifications, ratings or dimensions without notice or obligation.

Project		Location		 KEES INCORPORATED 400 S. Industrial Dr. • P.O. Box L Elkhart Lake, WI 53020 Phone: (920) 876-3391 Fax: (920) 876-3065 Website: www.kees.com
Engineer		Dwg. No.	SD-ADK	
Architect		Date	12/08	
Contractor				