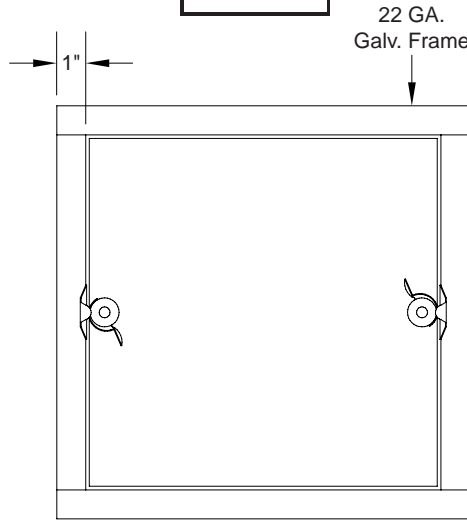
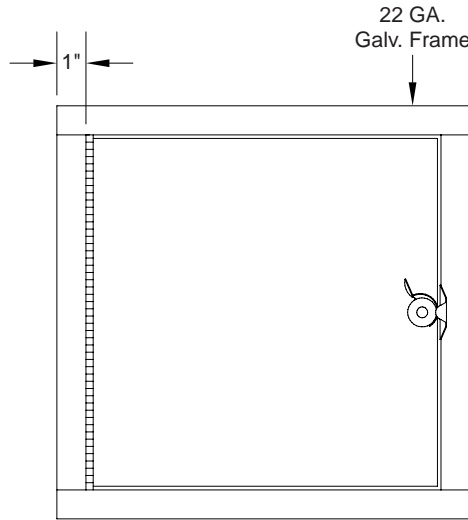




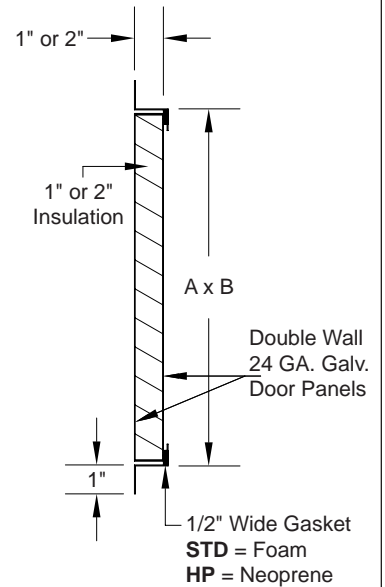
"F" SERIES FLANGED MOUNT ACCESS DOORS



FC - Cammed
FC-HP - Cammed High Pressure



FH - Hinged
FH-HP - Hinged High Pressure



WINDOW OPTIONS:

- DP - Plexiglass
- DL - Lexan
- DG - Laminated Safety Glass

OPTIONAL CONSTRUCTION:

- AL - .032" Aluminum with Aluminum Hinge and/or Plated Steel Cams & Strikers
- SS - 24 Gauge Stainless Steel with Stainless Steel Hinge and/or Cams & Strikers

OTHER OPTIONS:

- Chain (FC only)
- Cylinder cam lock (1" - FH only)
- Hasp (FH only)
- Padlock eyes (FH only)

Standard Pressure Rating:

up to 4-1/2 I.W.G.

High Pressure Rating:

up to 10 I.W.G.

STANDARD SIZES

Quantity				Size	Dim. A Width	Dim. B Height	Duct Opening	Number of Latches				Door Insulation		Option(s)
FC	FC-HP	FH	FH-HP					FC	FC-HP	FH	FH-HP	1"	2"	
				6 x 6	6	6	6-1/8" x 6-1/8"	2	4	1	3			
				8 x 8	8	8	8-1/8" x 8-1/8"	2	4	1	3			
				10 x 10	10	10	10-1/8" x 10-1/8"	2	4	1	3			
				12 x 12	12	12	12-1/8" x 12-1/8"	2	4	1	3			
				14 x 14	14	14	14-1/8" x 14-1/8"	2	4	1	3			
				16 x 16	16	16	16-1/8" x 16-1/8"	4	8	2	6			
				18 x 18	18	18	18-1/8" x 18-1/8"	4	8	2	6			
				20 x 20	20	20	20-1/8" x 20-1/8"	4	8	2	6			
				24 x 24	24	24	24-1/8" x 24-1/8"	4	8	2	6			

To maintain KEES' policy of continuous product development, we reserve the right to change prices, specifications, ratings and dimensions without notice or obligation.

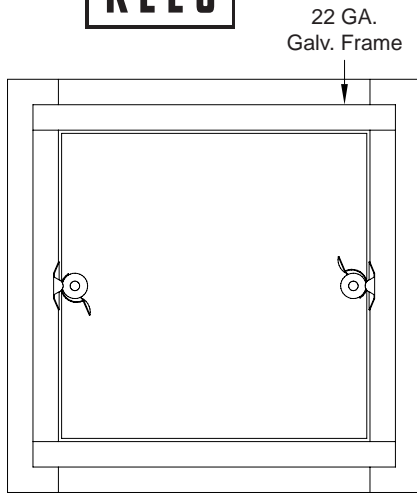
Project		Location	
Engineer		SD-FC	
Architect	Dwg. No.	Date	
Contractor		12/11	



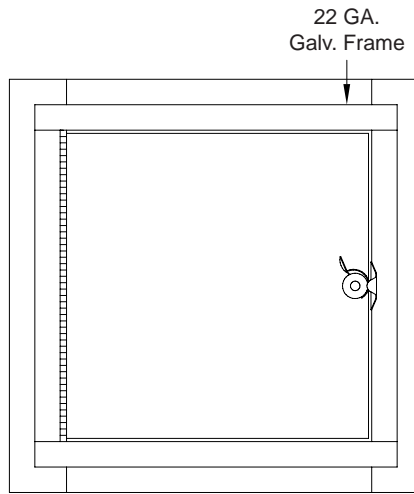
KEES INCORPORATED
400 S. Industrial Dr.
Elkhart Lake, WI 53020
Phone: (920) 876-3391
Fax: (920) 876-3065
Website: www.kees.com



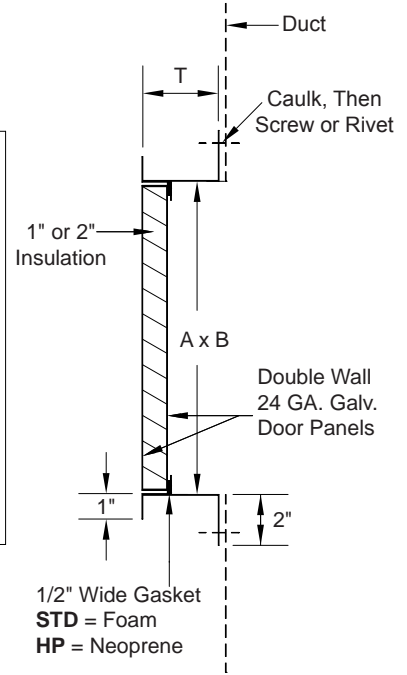
"F" SERIES FLANGED MOUNT ACCESS DOORS WITH INSULATION STOP



FC-IS - Cammed With Insulation Stop
FC-IS-HP - Cammed High Pressure With Insulation Stop



FH-IS - Hinged With Insulation Stop
FH-IS-HP - Hinged High Pressure With Insulation Stop



WINDOW OPTIONS:

- DP - Plexiglass
- DL - Lexan
- DG - Laminated Safety Glass

OPTIONAL CONSTRUCTION:

- AL - .032" Aluminum with Aluminum Hinge and/or Plated Steel Cams & Strikers
- SS - 24 Gauge Stainless Steel with Stainless Steel Hinge and/or Cams & Strikers

OTHER OPTIONS:

- Chain (FC only)
- Cylinder cam lock (1" - FH only)
- Hasp (FH only)
- Padlock eyes (FH only)

Standard Pressure Rating:

up to 4-1/2 I.W.G.
High Pressure Rating:
 up to 10 I.W.G.

STANDARD SIZES

Quantity				Size	Dim. A Width	Dim. B Height	Insulation Thickness T	Number of Latches				Door Insulation		Option(s)
FC-IS	FC-IS-HP	FH-IS	FH-IS-HP					FC-IS	FC-IS-HP	FH-IS	FH-IS-HP	1"	2"	
				6 x 6	6	6		2	4	1	3			
				8 x 8	8	8		2	4	1	3			
				10 x 10	10	10		2	4	1	3			
				12 x 12	12	12		2	4	1	3			
				14 x 14	14	14		2	4	1	3			
				16 x 16	16	16		4	8	2	6			
				18 x 18	18	18		4	8	2	6			
				20 x 20	20	20		4	8	2	6			
				24 x 24	24	24		4	8	2	6			

To maintain KEES' policy of continuous product development, we reserve the right to change prices, specifications, ratings and dimensions without notice or obligation.

Project		Location	
Engineer		Dwg. No.	SD-FC-IS
Architect		Date	12/11
Contractor			



KEES INCORPORATED
 400 S. Industrial Dr.
 Elkhart Lake, WI 53020
 Phone: (920) 876-3391
 Fax: (920) 876-3065
 Website: www.kees.com

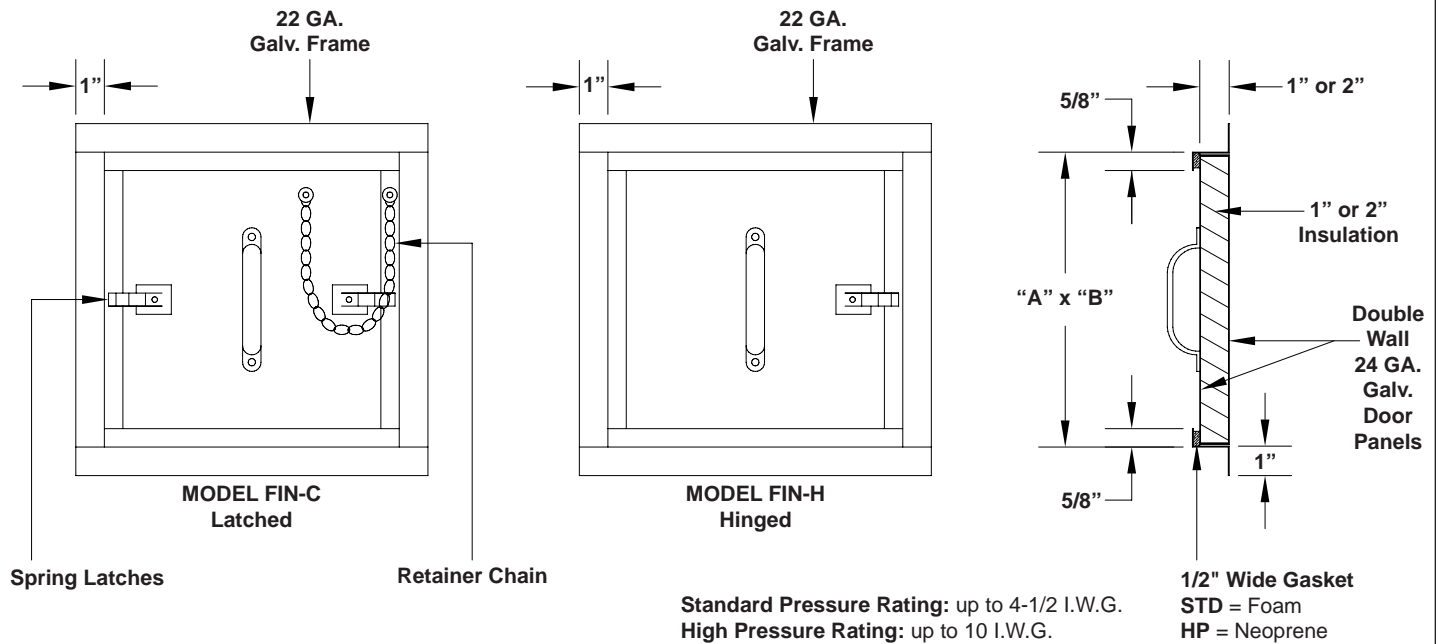


DUCT ACCESS DOORS

Models FIN-C and FIN-H

Opens Into Duct - For Use In Positive Pressure Ducts

NOTE: NOT INTENDED FOR USE AS A PRESSURE RELIEF DOOR.



STANDARD SIZES

Quantity		Size	Dim. A Width	Dim. B Height	Duct Opening	No. of Latches		Door Insulation	
FIN-C	FIN-H					FIN-C	FIN-H	1"	2"
		6" x 6"	6"	6"	6-1/8" x 6-1/8"	2	1		
		8" x 8"	8"	8"	8-1/8" x 8-1/8"	2	1		
		10" x 10"	10"	10"	10-1/8" x 10-1/8"	2	1		
		12" x 12"	12"	12"	12-1/8" x 12-1/8"	2	1		
		12" x 18"	12"	18"	12-1/8" x 18-1/8"	2	1		
		14" x 14"	14"	14"	14-1/8" x 14-1/8"	2	1		
		16" x 16"	16"	16"	16-1/8" x 16-1/8"	4	2		
		18" x 18"	18"	18"	18-1/8" x 18-1/8"	4	2		
		24" x 24"	24"	24"	24-1/8" x 24-1/8"	4	2		

To maintain KEES' policy of continuous product development, we reserve the right to change prices, specifications, ratings and dimensions without notice or obligation.

Project				Location		
Engineer				Dwg. No.	SD-ADFIN	KEES INCORPORATED 400 S. Industrial Dr. Elkhart Lake, WI 53020 Phone: (920) 876-3391 Fax: (920) 876-3065 Website: www.kees.com
Architect				Date	12/11	
Contractor						

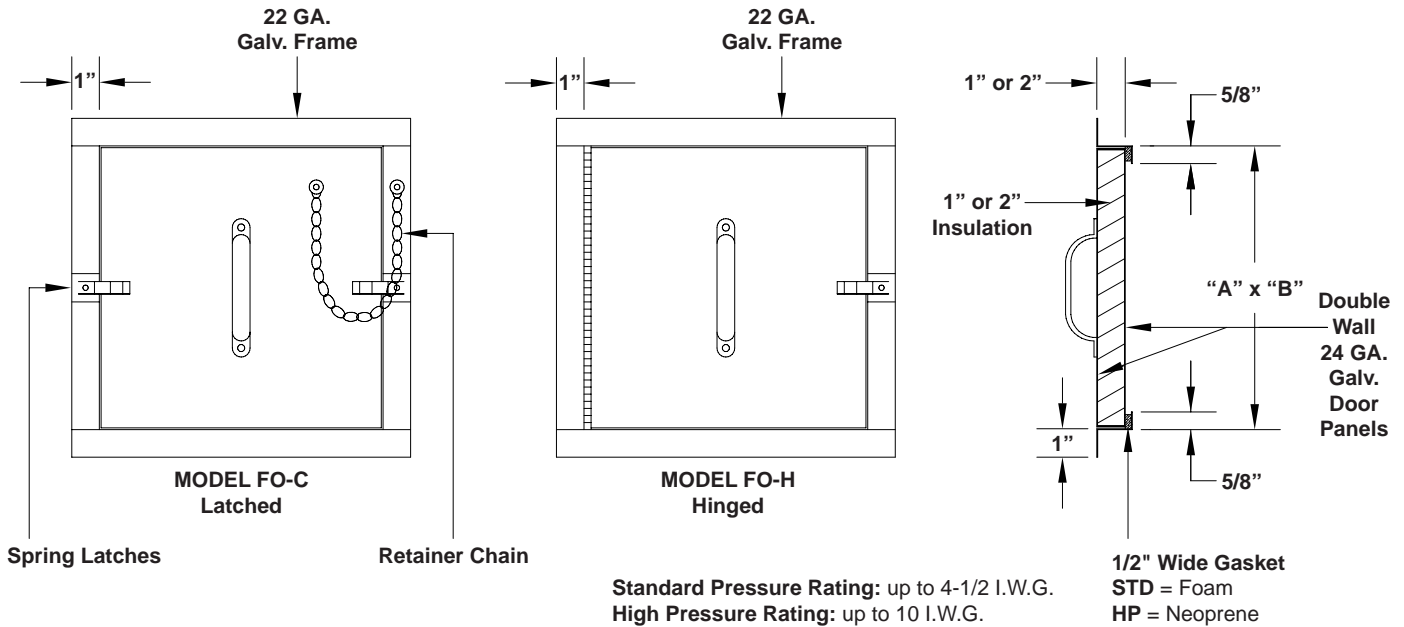


DUCT ACCESS DOORS

Models FO-C and FO-H

Opens Out From Duct - For Use In Negative Pressure Ducts

NOTE: NOT INTENDED FOR USE AS A PRESSURE RELIEF DOOR.



STANDARD SIZES

Quantity		Size	Dim. A Width	Dim. B Height	Duct Opening	No. of Latches		Door Insulation	
FO-C	FO-H					FO-C	FO-H	1"	2"
		6" x 6"	6"	6"	6-1/8" x 6-1/8"	2	1		
		8" x 8"	8"	8"	8-1/8" x 8-1/8"	2	1		
		10" x 10"	10"	10"	10-1/8" x 10-1/8"	2	1		
		12" x 12"	12"	12"	12-1/8" x 12-1/8"	2	1		
		12" x 18"	12"	18"	12-1/8" x 18-1/8"	2	1		
		14" x 14"	14"	14"	14-1/8" x 14-1/8"	2	1		
		16" x 16"	16"	16"	16-1/8" x 16-1/8"	4	2		
		18" x 18"	18"	18"	18-1/8" x 18-1/8"	4	2		
		24" x 24"	24"	24"	24-1/8" x 24-1/8"	4	2		

To maintain KEES' policy of continuous product development, we reserve the right to change prices, specifications, ratings and dimensions without notice or obligation.

Project				Location				
Engineer				Dwg. No.	SD-ADFO	KEES INCORPORATED 400 S. Industrial Dr. Elkhart Lake, WI 53020 Phone: (920) 876-3391 Fax: (920) 876-3065 Website: www.kees.com		
Architect				Date	12/11			
Contractor								