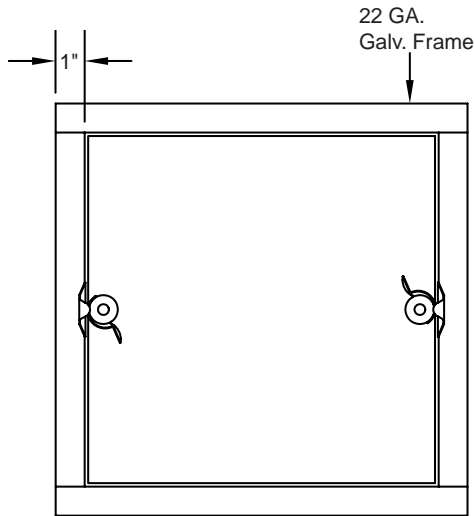
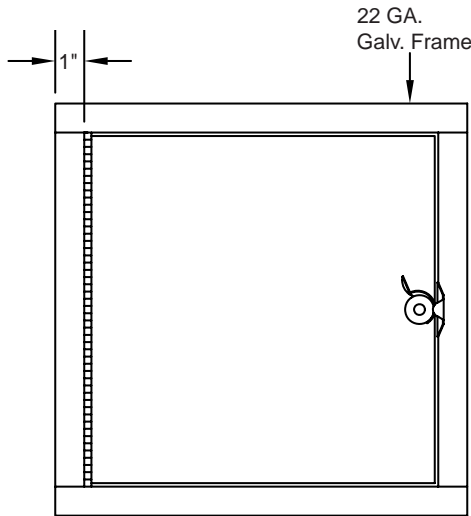




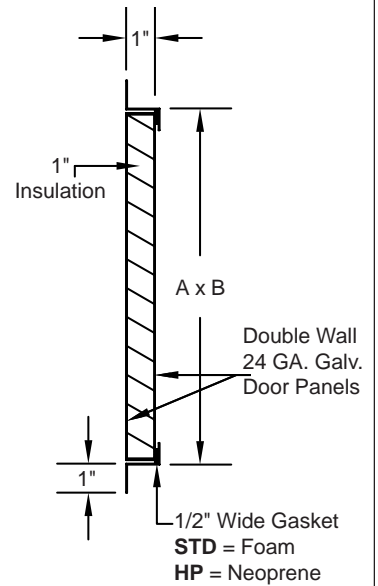
# "F" SERIES FLANGED MOUNT ACCESS DOORS



**FC - Cammed**  
**FC-HP - Cammed High Pressure**



**FH - Hinged**  
**FH-HP - Hinged High Pressure**



- WINDOW OPTIONS:**  
 -DP - Plexiglass  
 -DL - Lexan  
 -DW - Wireglass
- MATERIAL OPTION:**  
 -SS - 24 GA. S.S., S.S. Hinge  
 and/or Cams and Strikers

**Standard Pressure Rating: 4-1/2 I.W.G.**  
**High Pressure Rating: 10 I.W.G.**

## STANDARD SIZES

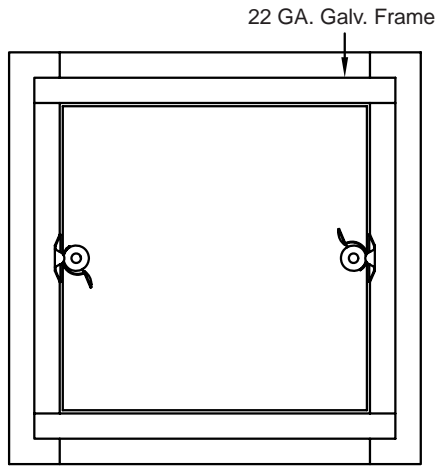
Quantity				Optional Window	Size	Dim. A Width	Dim. B Height	Duct Opening	Number of Latches			
FC	FC-HP	FH	FH-HP						FC	FC-HP	FH	FH-HP
					6 x 6	6	6	6-1/8" x 6-1/8"	2	4	1	3
					8 x 8	8	8	8-1/8" x 8-1/8"	2	4	1	3
					10 x 10	10	10	10-1/8" x 10-1/8"	2	4	1	3
					12 x 12	12	12	12-1/8" x 12-1/8"	2	4	1	3
					14 x 14	14	14	14-1/8" x 14-1/8"	2	4	1	3
					16 x 16	16	16	16-1/8" x 16-1/8"	4	8	2	6
					18 x 18	18	18	18-1/8" x 18-1/8"	4	8	2	6
					20 x 20	20	20	20-1/8" x 20-1/8"	4	8	2	6
					24 x 24	24	24	24-1/8" x 24-1/8"	4	8	2	6

To maintain KEES' policy of continuous product improvement, we reserve the right to change prices, specifications, ratings or dimensions without notice or obligation.

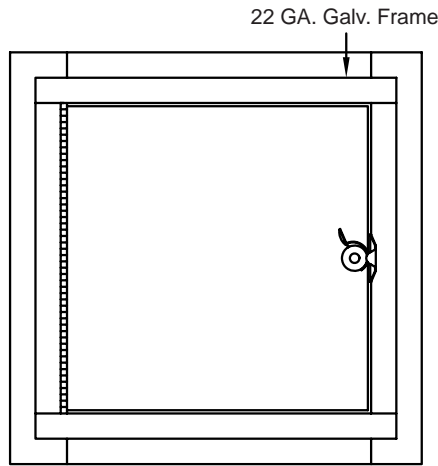
<b>Project</b>				<b>Location</b>					
<b>Engineer</b>				<b>KEES INCORPORATED</b> 400 S. Industrial Dr. • P.O. Box L Elkhart Lake, WI 53020 Phone: (920) 876-3391 Fax: (920) 876-3065 Website: www.kees.com					
<b>Architect</b>								<b>Dwg. No.</b>	<b>SD-FC</b>
<b>Contractor</b>								<b>Date</b>	<b>06/07</b>



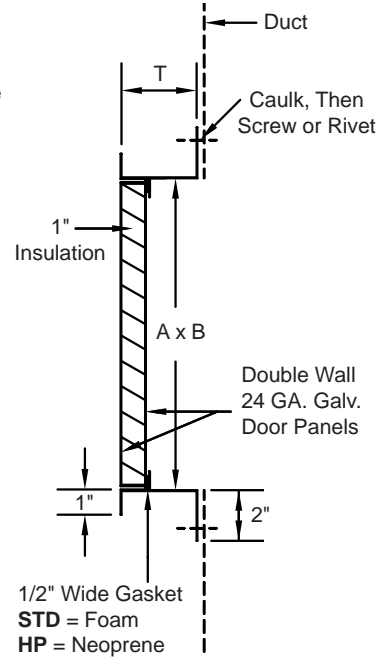
# "F" SERIES FLANGED MOUNT ACCESS DOORS WITH INSULATION STOP



**FC-IS** - Cammed With Insulation Stop  
**FC-IS-HP** - Cammed High Pressure With Insulation Stop



**FH-IS** - Hinged With Insulation Stop  
**FH-IS-HP** - Hinged High Pressure With Insulation Stop



**Standard Pressure Rating: 4-1/2 I.W.G.**  
**High Pressure Rating: 10 I.W.G.**

- WINDOW OPTIONS:**  
 -DP - Plexiglass  
 -DL - Lexan  
 -DW - Wireglass
- MATERIAL OPTION:**  
 -SS - 24 GA. S.S., S.S. Hinge and/or Cams and Strikers

## STANDARD SIZES

Quantity				Optional Window	Size	Dim. A Width	Dim. B Height	Insulation Thickness T	Number of Latches			
FC-IS	FC-IS-HP	FH-IS	FH-IS-HP						FC-IS	FC-IS-HP	FH-IS	FH-IS-HP
					6 x 6	6	6		2	4	1	3
					8 x 8	8	8		2	4	1	3
					10 x 10	10	10		2	4	1	3
					12 x 12	12	12		2	4	1	3
					14 x 14	14	14		2	4	1	3
					16 x 16	16	16		4	8	2	6
					18 x 18	18	18		4	8	2	6
					20 x 20	20	20		4	8	2	6
					24 x 24	24	24		4	8	2	6

To maintain KEES' policy of continuous product improvement, we reserve the right to change prices, specifications, ratings or dimensions without notice or obligation.

<b>Project</b>				<b>Location</b>			
<b>Engineer</b>							<p><b>KEES INCORPORATED</b>          400 S. Industrial Dr. • P.O. Box L          Elkhart Lake, WI 53020          Phone: (920) 876-3391          Fax: (920) 876-3065          Website: www.kees.com</p>
<b>Architect</b>			<b>Dwg. No.</b>	<b>SD-FC-IS</b>			
<b>Contractor</b>			<b>Date</b>	<b>06/07</b>			

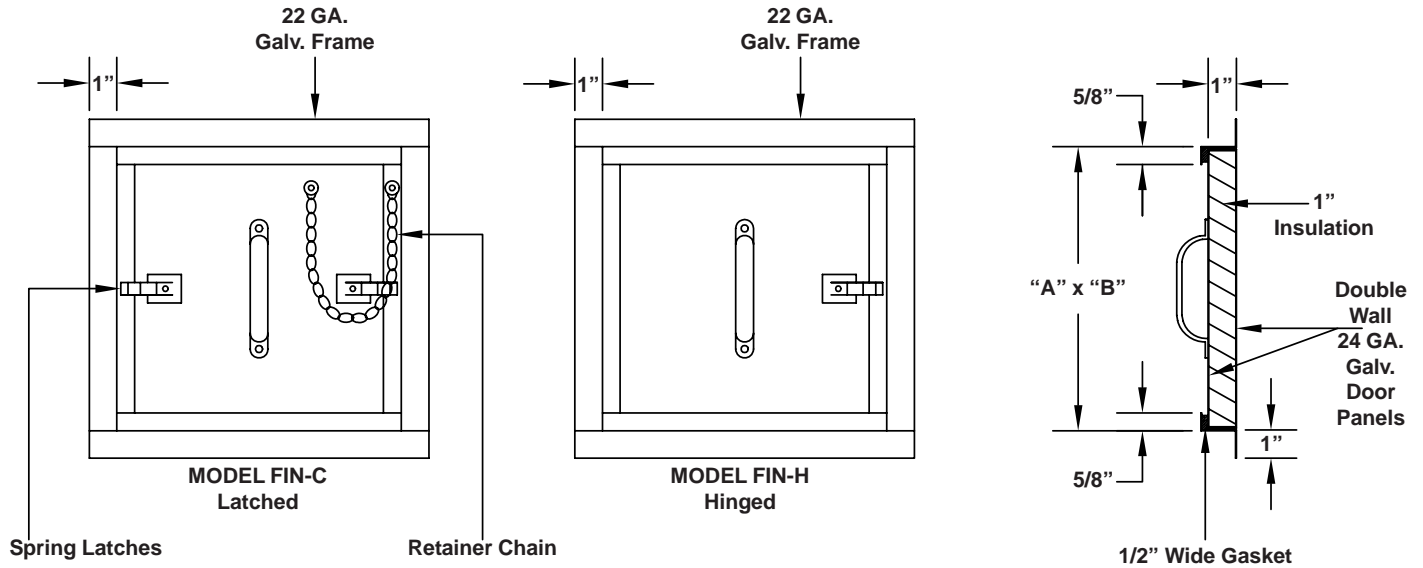


# DUCT ACCESS DOORS

## Models FIN-C and FIN-H

Opens Into Duct - For Use In Positive Pressure Ducts

NOTE: NOT INTENDED FOR USE AS A PRESSURE RELIEF DOOR.



### STANDARD SIZES

Quantity		SIZE	Dim. A Width	Dim. B Height	Duct Opening	No. of Latches	
FIN-C	FIN-H					FIN-C	FIN-H
		6" x 6"	6"	6"	6-1/8" x 6-1/8"	2	1
		8" x 8"	8"	8"	8-1/8" x 8-1/8"	2	1
		10" x 10"	10"	10"	10-1/8" x 10-1/8"	2	1
		12" x 12"	12"	12"	12-1/8" x 12-1/8"	2	1
		12" x 18"	12"	18"	12-1/8" x 18-1/8"	2	1
		14" x 14"	14"	14"	14-1/8" x 14-1/8"	2	1
		16" x 16"	16"	16"	16-1/8" x 16-1/8"	4	2
		18" x 18"	18"	18"	18-1/8" x 18-1/8"	4	2
		24" x 24"	24"	24"	24-1/8" x 24-1/8"	4	2

To maintain KEES' policy of continuous product improvement, we reserve the right to change prices, specifications, ratings or dimensions without notice or obligation.

<b>Project</b>		<b>Location</b>	
<b>Engineer</b>			
<b>Architect</b>		<b>Dwg. No.</b>	<b>SD-ADFIN</b>
<b>Contractor</b>		<b>Date</b>	<b>04/02</b>

**KEES INCORPORATED**  
 400 S. Industrial Dr. • P.O. Box L  
 Elkhart Lake, WI 53020  
 Phone: (920) 876-3391  
 Fax: (920) 876-3065  
 Website: www.kees.com

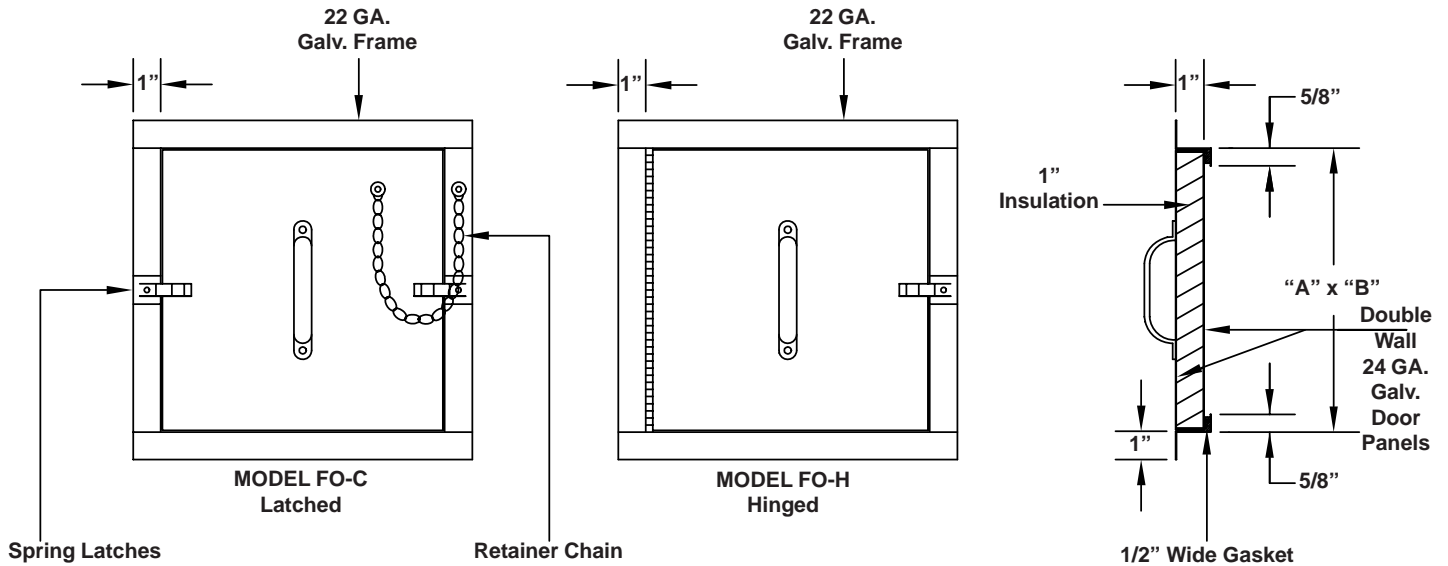


# DUCT ACCESS DOORS

## Models FO-C and FO-H

Opens Out From Duct - For Use In Negative Pressure Ducts

NOTE: NOT INTENDED FOR USE AS A PRESSURE RELIEF DOOR.



### STANDARD SIZES

Quantity		SIZE	Dim. A Width	Dim. B Height	Duct Opening	No. of Latches	
FO-C	FO-H					FO-C	FO-H
		6" x 6"	6"	6"	6-1/8" x 6-1/8"	2	1
		8" x 8"	8"	8"	8-1/8" x 8-1/8"	2	1
		10" x 10"	10"	10"	10-1/8" x 10-1/8"	2	1
		12" x 12"	12"	12"	12-1/8" x 12-1/8"	2	1
		12" x 18"	12"	18"	12-1/8" x 18-1/8"	2	1
		14" x 14"	14"	14"	14-1/8" x 14-1/8"	2	1
		16" x 16"	16"	16"	16-1/8" x 16-1/8"	4	2
		18" x 18"	18"	18"	18-1/8" x 18-1/8"	4	2
		24" x 24"	24"	24"	24-1/8" x 24-1/8"	4	2

To maintain KEES' policy of continuous product improvement, we reserve the right to change prices, specifications, ratings or dimensions without notice or obligation.

<b>Project</b>		<b>Location</b>	
<b>Engineer</b>			
<b>Architect</b>		<b>Dwg. No.</b>	<b>SD-ADFO</b>
<b>Contractor</b>		<b>Date</b>	<b>04/02</b>

**KEES INCORPORATED**  
 400 S. Industrial Dr. • P.O. Box L  
 Elkhart Lake, WI 53020  
 Phone: (920) 876-3391  
 Fax: (920) 876-3065  
 Website: www.kees.com