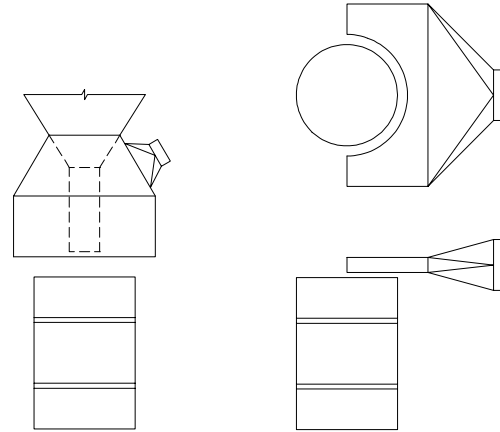
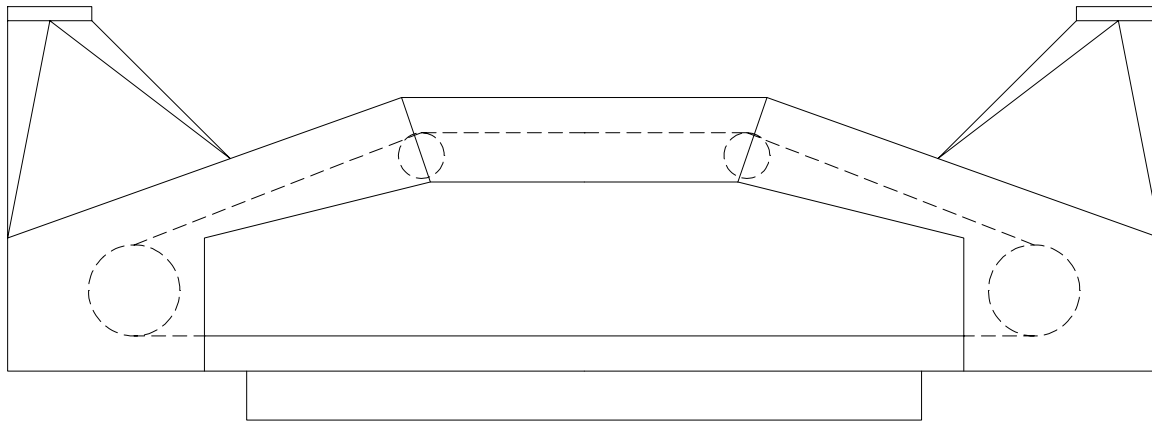


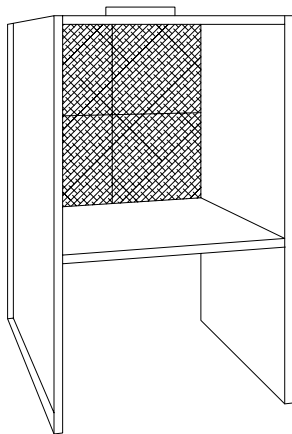
**MELTING
FURNACE HOOD**



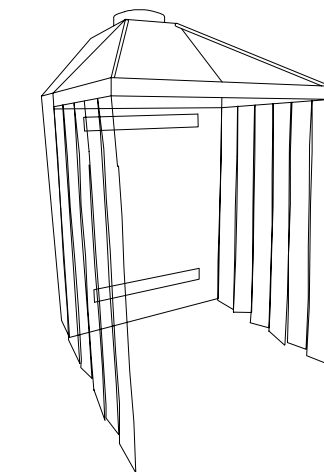
CONTAINER OR BARREL FILLING HOODS



CUSTOM EQUIPMENT ENCLOSURE



SPRAY BOOTH



**BACK SHELF HOOD
WITH FRONT EXTENSION AND
FLEXIBLE STRIP SIDE CURTAINS**